

# ***XL1000V / XL1000VA***

XL1000V<sub>7</sub>  
XL1000V<sub>8</sub>  
XL1000V<sub>9</sub>  
XL1000VA<sub>7</sub>  
XL1000VA<sub>8</sub>  
XL1000VA<sub>9</sub>

**PARTS CATALOGUE**

**3**

---

**FOREWORD INDEX**

**1**

---

**ENGINE GROUP**

**2**

---

**FRAME GROUP**

**3**

---

**PART NUMBER INDEX**

**4**

---

**PART NAME INDEX**

**5**

---



**Instruction for use of parts catalogue**

- **This parts catalogue has been created as of November 01, 2008.**
  - Since this date, the sales practice for repair parts may have been changed or the parts may have been eliminated (listed for those not for sale).
  - The modified information is reflected on the latest Electronic Parts Catalogue (EPC).  
Also, refer to the parts catalogue news for any change.
  - See the parts catalogue news for any revision that is made after November 01, 2008.
- **Always specify the part number when ordering a part.**
  - Check the model, type, serial numbers, color, maker, and the size as needed before ordering a part.
  - Note that the illustrations (part drawings) can differ from the actual parts in shape.  
They are given just to help you to refer to the parts.
- **When modifications or additions to this parts catalogue are made, a revised edition will be issued at an appropriate time, with successively progressing revision numbers on the cover. We recommend obtaining such revisions in order to keep your parts catalogue up-to-date at all times. To check whether a parts catalogue revision has been issued, please contact your Honda distributor.**

Initial version issue date  
December 10, 2006  
**Honda Motor Co., Ltd.**

**CONTENTS**

	Page	Address No.
● Instruction for use of parts catalogue .....	1	B 1
● How to refer to the part information .....	2	B 2
● Part catalogue structure .....	3	B 3
● When the parts were revised.....	4	B 4
● Abbreviations used in the parts catalogue.....	4	B 4
● Part block and serial number check .....	5	B 5
● Color label attachment position check.....	5	B 5
● Models, parts catalogue codes and applicable serial numbers .....	6	B 6
● Color label .....	8	B 8
● Color chart.....	9	B 9
● Fuel hose, general purpose hoses and vinyl hose.....	15	B15
● FLAT RATE SERVICE TIME.....	19	C 3
● Illustrated index .....	24	C 8
● ENGINE GROUP.....	33	D 1
● FRAME GROUP.....	63	F 1
● PART NO. INDEX.....	138	K 1
● PART NAME INDEX.....	145	L 1

How to refer to the part information

A Reference with "Illustrated index"

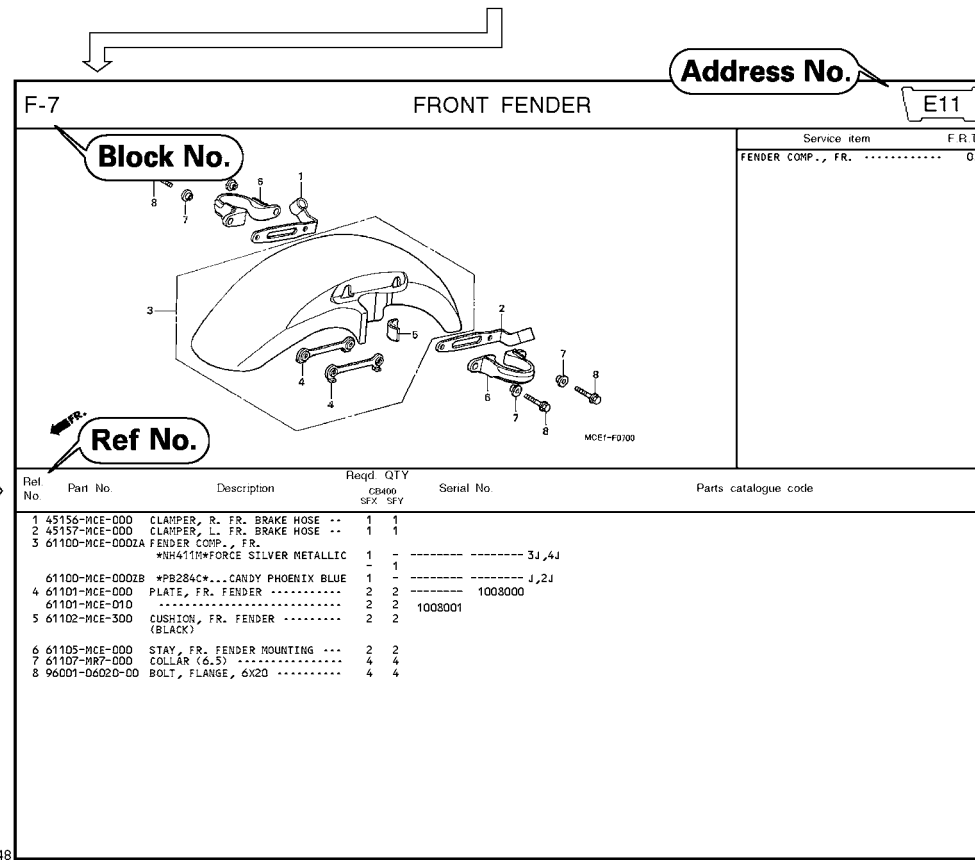


B Reference with "Part number index"

PART NO. INDEX					
Part Number	Address	Page	Rel.	Part Number	Address Page Rel.
04000				13323-MY9-751	C12 28 10 14921
04911-MCE-000	C10	26	1	13324-MY9-751	C12 28 10 14931
				13325-MY9-751	C12 28 10 14931
				13327-MY9-751	C12 28 10 14931
06000				14000	14931
06405-MY9-P00	F13	67	3	14100-MCE-000	B13 13 2 14931
06405-MY9-P10	F13	67	3	14200-MCE-000	B13 13 3 14931
06410-MY9-860	F2	56	1	14321-MCE-000	B16 16 2 14931
06435-MCE-006	F1	55	1	14401-MCE-003	B16 16 3 14931
06451-769-405	E13	51	2	14510-MBE-000	B16 16 4 14941
06451-443-405	F1	55	2	14520-MY9-691	B16 16 4 14941
06451-MA7-405	E13	51	1	14524-MY9-690	B16 16 6 14941
06455-MCE-006	E13	51	3	14546-MCE-000	B16 16 7 14941
				14620-MY9-691	B16 16 8 14941
11000				14711-MCE-000	B13 13 4 14941
11210-MCE-000	C9	25	1	14712-MCE-000	B13 13 5 14941
11330-MCE-305	C2	18	1	14721-MCE-000	B13 13 6 14941
11333-KT8-000	C6	22	1	14722-MCE-000	B13 13 7 14941
11335-MCE-000	C2	18	2	14730-MCE-000	B13 13 8 14941
11360-MCE-000	C7	23	1	14731-MCE-000	B13 13 9 14941
11365-MCE-000	C7	23	2	14731-MY9-751	B13 13 10 14941
11396-MY9-000	C2	18	3	14751-KY2-000	B13 13 11 14941
11631-MCE-000	C5	21	1	14751-MCE-000	B13 13 12 14941
11691-MY9-000	C5	21	2	14761-MCE-000	B13 13 13 14941

C Reference with "Part name index"

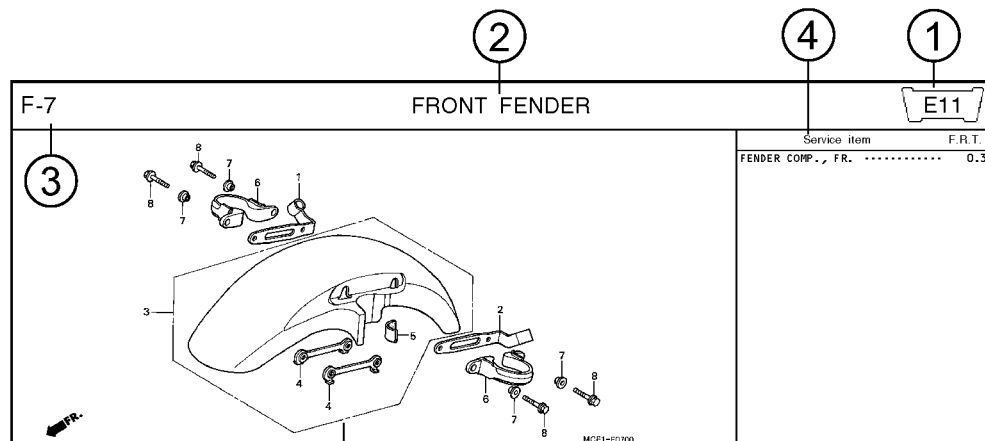
PART NAME INDEX					
Part name	Address	Page	Ref.	Part name	Address Page Ref.
[ A ]				BOLT , CHANG I	
ADJUSTER , CHAIN	F13	67	5	BOLT , CLUTC H	
ARM COMP. , SEA R CHANGE	F10	64	5	BOLT , CONNECT	
ARM , L. MAIN STEP	F11	65	8	BOLT , DISK , 6	
ARM , L. PILLI O STEP	F11	65	12	BOLT , DISK , 8	
ARM , R. MAIN STEP	F11	65	5	BOLT , DRAIN I	
ARM , R. PILLI O STEP	F11	65	11	BOLT , FLANG E	
AUT O DOC K ASSY. , FUEL	F4	58	2	BOLT , FLANG E	
AXLE , FR. WHEEL	E14	52	3	BOLT , FLANG E	
AXLE , RR. WHEEL	F2	56	3	BOLT , FLANG E	
[ B ]				BOLT , FLANG E	
BAG , AIR PRESSUR E GAUGE	F67	77	4	BOLT , FLANG E	
BAG , SERVICE BOOK	F67	77	1	BOLT , FLANG E	
BAG , TOOL	F67	77	3	BOLT , FLANG E	
BALL , STEEL	F11	65	20	BOLT , FLANG E	
BAND A , INSULATOR	B11	11	11	BOLT , FLANG E	
BAND B , INSULATOR	B11	11	12	BOLT , FLANG E	
BAND , AIR CLEANER CONNECTING				BOLT , FLANG E	
BAND , U-LOCK	F8	62	22	BOLT , FLANG E	
BAND , WIRE	F16	70	3	BOLT , FLANG E	
	C10	26	14		
	E5	43	21		
	G4	74	1R		



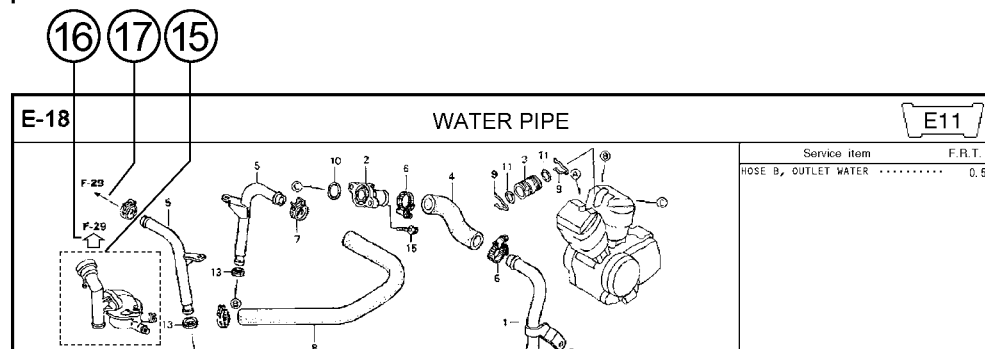
Page No.

2000.09.01 E

Part catalogue structure



Ref. No.	Part No.	Description	Reqd. QTY		Serial No.	Parts catalogue code
			CB400 SFX	SFY		
1	45156-MCE-000	CLAMPER, R. FR. BRAKE HOSE ..	1	1		
2	45157-MCE-000	CLAMPER, L. FR. BRAKE HOSE ..	1	1		
3	61100-MCE-000ZA	FENDER COMP., FR. *NH411M*FORCE SILVER METALLIC	1	-	----- 3J,4J	
	61100-MCE-000ZB	*PB284C*...CANDY PHOENIX BLUE	1	-	----- J,2J	
4	61101-MCE-000	PLATE, FR. FENDER .....	2	2	1008000	
	61101-MCE-010	.....	2	2	1008001	
5	61102-MCE-300	CUSHION, FR. FENDER .....	2	2		
		(BLACK)				



① Address number

- Address No. is provided (in place of the page No.) to help you refer to the part with the part No. or part name.

② Block title ③ Block number

④ Service item/Flat rate time

⑤ Reference number

- Title number marked with the parenthesis or parentheses indicates that it continues from the previous page.

⑥ Part number ⑦ Honda color code

⑧ Description

⑨ Assemblies

- Sections framed with broken lines in the exploded view drawings are available as complete assemblies. (Their individual parts can also be obtained.)

⑩ Color description

⑪ Note

- Notes are shown with the parentheses in the part name column.

⑫ Required quantity

- Reqd. QTY shown in the parenthesis or parentheses indicates the optional part.
- Reqd. QTY marked with "N" indicates the optional part that should be selected as needed.
- Reqd. QTY indicates the number of the part used in the block.

⑬ Serial number

⑭ Parts catalogue code

- When the parts catalogue code column is blank, it indicates that the part is applicable to all codes.

⑮

- Parts enclosed within a dotted line are covered in a different block.

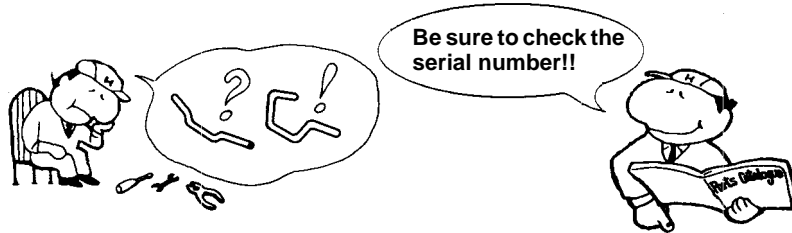
⑯

- A hollow arrow indicates the block No. for the parts enclosed within a dotted line .

⑰

- A solid arrow indicates the block No. the part in question is connected to.

When the parts were revised



Ref. No.	Part No.	Description	Reqd. QTY		Serial No.
			CB400 SFX	SFY	
1	45156-MCE-000	CLAMPER, R. FR. BRAKE HOSE ..	1	1	
2	45157-MCE-000	CLAMPER, L. FR. BRAKE HOSE ..	1	1	
3	61100-MCE-000ZA	FENDER COMP., FR. *NH411M*FORCE SILVER METALLIC	1	-	-----3J,4J
	61100-MCE-000ZB	*PB284C*...CANDY PHOENIX BLUE	1	-	-----J,2J
4	61101-MCE-000	PLATE, FR. FENDER (###).....	2	2	-----1008000
	61101-MCE-010	.....	2	2	-----1008001
5	61102-MCE-300	CUSHION, FR. FENDER ..... (BLACK)	2	2	
6	61105-MCE-000	STAY, FR. FENDER MOUNTING ...	2	2	
7	61107-MR7-000	COLLAR (6.5) .....	4	4	
8	96001-06020-00	BOLT, FLANGE, 6X20 .....	4	4	

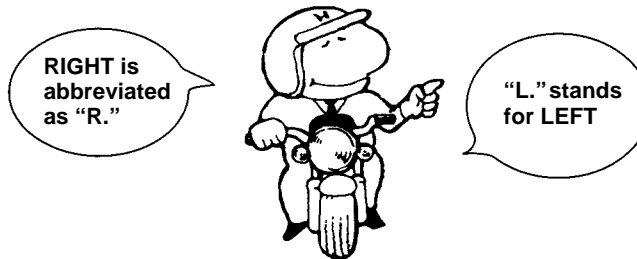
The number has been used from the initial model without revision.

When shown at the left side, it is applicable to the models of No.1008001 and the subsequent numbers.

When shown at the right side, it is applicable to the models up to No.1008000.

The parts listed with "###" at the end of the parts name have limited supply period (parts not for sale).

Abbreviations used in the parts catalogue

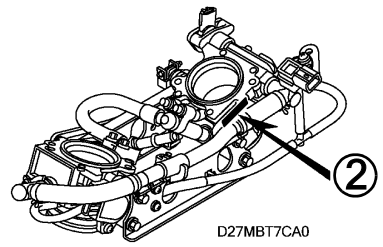
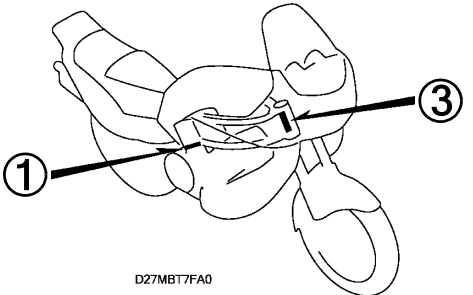
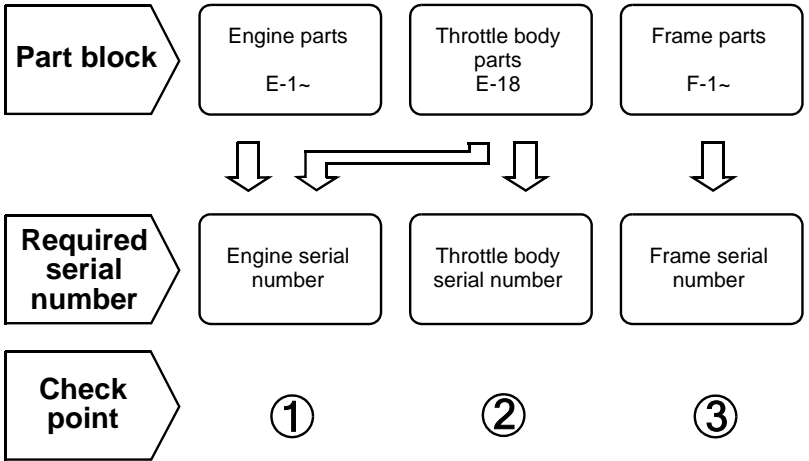


\* "L." or "R." in the description of a part stands for the LEFT hand side or the RIGHT hand side. Determine the left or right as if you were in the motorcycle seat.

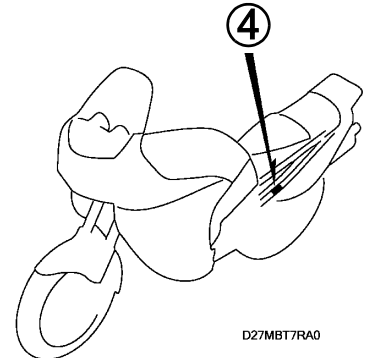
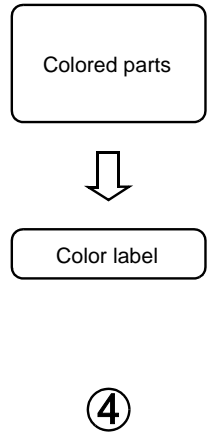
The following abbreviations are used in this parts catalogue.

- A ..... Ampere
- ABS ..... Anti-lock brake system
- A.C. .... Alternating current
- A.M. .... Attaching mark
- ASSY. .... Assembly
- C.D.I. .... Capacitive discharge ignition
- COMP. ... Complete
- D.C. .... Direct current
- EX. .... Exhaust
- FR. .... Front
- G ..... Gram
- HEX. .... Hexagonal
- IN. .... Inlet
- KPH ..... Kilometers per hour
- L. ....Left
- L (100L) .Link (100 Links)
- L.E.D. ....Light emitted diode
- MM .....Millimeter
- MPH .....Miles per hour
- R. ....Right
- RR. ....Rear
- STD. ....Standard
- T (22T) ...Tooth (22 Teeth)
- TCS .....Traction control system
- T.M. ....Transcript mark
- V .....Volt
- W .....Watt
- WL .....With labelling
- WOL .....Without labelling

Part block and serial number check



Color label attachment position check





### Models, parts catalogue codes and applicable serial numbers

Models, parts catalogue codes and applicable serial Nos. given in this parts catalogue can be identified as follows.

Parts with parts catalogue codes are exclusive for models destined for countries designated.

If no area codes are listed, parts are for common use.

Model	Parts catalogue code	Type	Applicable engine serial No.	Applicable frame serial No.	Applicable throttle body serial No.
XL1000V7	E	England	SD01E-2800001~2899999	VTMSD02A07E260001~7E269999	GQ46B A
	ED	European direct sales	SD01E-2800001~2899999	VTMSD02A07E260001~7E269999	
	EK	Ireland	SD01E-2800001~2899999	VTMSD02A07E260001~7E269999	
	F	France	SD01E-2800001~2899999	VTMSD02A07E260001~7E269999	
XL1000V8	E	England	SD01E-2800001~2899999	VTMSD02A08E270001~8E279999	GQ46B A
	ED	European direct sales	SD01E-2800001~2899999	VTMSD02A08E270001~8E279999	
	EK	Ireland	SD01E-2800001~2899999	VTMSD02A08E270001~8E279999	
	F	France	SD01E-2800001~2899999	VTMSD02A08E270001~8E279999	
XL1000V9	E	England	SD01E-2800001~	VTMSD02A*9E280001~	GQ46B A
	ED	European direct sales	SD01E-2800001~	VTMSD02A*9E280001~	
	EK	Ireland	SD01E-2800001~	VTMSD02A*9E280001~	
	F	France	SD01E-2800001~	VTMSD02A*9E280001~	

Model	Parts catalogue code	Type	Applicable engine serial No.	Applicable frame serial No.	Applicable throttle body serial No.
XL1000VA7	E	England	SD01E-2800001~2899999	VTMSD02C07E820001~7E829999	GQ46B A
	ED	European direct sales	SD01E-2800001~2899999	VTMSD02C07E820001~7E829999	
	EK	Ireland	SD01E-2800001~2899999	VTMSD02C07E820001~7E829999	
	F	France	SD01E-2800001~2899999	VTMSD02C07E820001~7E829999	
XL1000VA8	E	England	SD01E-2800001~2899999	VTMSD02C08E830001~8E839999	GQ46B A
	ED	European direct sales	SD01E-2800001~2899999	VTMSD02C08E830001~8E839999	
	EK	Ireland	SD01E-2800001~2899999	VTMSD02C08E830001~8E839999	
	F	France	SD01E-2800001~2899999	VTMSD02C08E830001~8E839999	
XL1000VA9	E	England	SD01E-2800001~	VTMSD02C*9E840001~	GQ46B A
	ED	European direct sales	SD01E-2800001~	VTMSD02C*9E840001~	
	EK	Ireland	SD01E-2800001~	VTMSD02C*9E840001~	
	F	France	SD01E-2800001~	VTMSD02C*9E840001~	

\* Of carburetor/throttle body identification numbers, only the portions underlined in the example below are used for registration.

GQ46B A KC 7

**Color label**

**1**

- When ordering parts, check the model name, main color, and code by observing the “COLOR LABEL” on the vehicle.
- When ordering a colored part, use the color chart in the instruction for use of parts catalogue.

<p><b>VFR800FIW</b></p> <p>COLOR <b>R-157</b></p> <p>CODE <b>R157</b></p>		MODEL		VFR800FIW				
	No.	COLOR		Sparkling silver metallic	Mute black metallic	Applicable model		Applicable block No.
		CODE		NH-295M	NH-359M	Initial applicable model	Final applicable model	
	Name of colored parts	Basic part No.	NH295	NH359				
1								
2								
3								
4								
5								
6								
7								
8								
9								
10								

**Color chart**

- When ordering a colored part, refer to the chart below and use a part number consisting of the relevant basic part number to which has been added a part color code.

XL1000V (XL1000V7)

No.	MODEL		XL1000V7						Applicable block No.	Ref. No.
	COLOR		Pearl concours black	Chevalier silver metallic	Bloom red metallic	Applicable model				
	CODE		NH-A65P	NH-A83M	R-319M	Initial applicable model	Final applicable model			
	Name of colored parts	Basic part No.	NHA65	NHA83	R319					
1	CARRIER, RR.	81300-MBT-C40	ZA	ZA	ZA			F-17	10	
2	COVER, HEADLIGHT UNDER	64223-MBT-C40	ZA	ZA	ZA			F-34	14	
3	COVER, L. TAIL CAP	18390-MBT-C40	ZA	ZA	ZA			F-20	17	
4	COVER, L. UPPER COWL	64222-MBT-C40	ZA	ZA	ZA			F-34-1	7	
5	COVER, R. TAIL CAP	18380-MBT-C40	ZA	ZA	ZA			F-20	14	
6	COVER, R. UPPER COWL	64221-MBT-C40	ZA	ZA	ZA			F-34-1	6	
7	COWL ASSY., SEAT	77260-MBT-C40	ZA	ZB	ZC			F-18	13	
8	COWL SET, L. MIDDLE	64380-MBT-C40	ZA	ZC	ZB			F-34-1	23	
9	COWL SET, R. MIDDLE	64330-MBT-C40	ZA	ZC	ZB			F-34-1	21	
10	COWL, L. INNER	64280-MBT-D20	ZB	ZB	ZB			F-34-1	19	
11	COWL, R. INNER	64270-MBT-D20	ZB	ZB	ZB			F-34-1	13	
12	COWL, UPPER	64210-MBT-C40	ZA	ZA	ZA			F-34	13	
13	FENDER SET, FR.	61110-MBT-C40	ZB	ZB	ZB			F-8	2	
14	FIN, L. RADIATOR	64371-MBT-D20	ZA	ZA	ZA			F-34-1	22	
15	FIN, R. RADIATOR	64321-MBT-D20	ZA	ZA	ZA			F-34-1	20	
16	GUARD, L. KNUCKLE	53185-MAN-911	ZA	ZA	ZA			F-3	20	
17	GUARD, R. KNUCKLE	53180-MBT-D20	ZA	ZA	ZA			F-4	14	
18	MARK	87131-MBT-C40	ZA	ZA	ZA			F-36	7	
19	MARK, FR. FENDER	87134-MBT-C40	ZB	ZB	ZB			F-36	8	
20	STRIPE, L. FUEL TANK	17512-MBT-C40	ZA	ZC	ZB			F-36	2	
21	STRIPE, L. MIDDLE COWL	64332-MBT-C40	ZA	ZC	ZB			F-36	6	
22	STRIPE, R. FUEL TANK	17511-MBT-C40	ZA	ZC	ZB			F-36	1	
23	STRIPE, R. MIDDLE COWL	64331-MBT-C40	ZA	ZC	ZB			F-36	5	
24	TANK SET, FUEL	17520-MBT-C40	ZD	ZC	ZE			F-16	18	

XL1000V (XL1000V<sub>8</sub>)

No.	MODEL		XL1000V8						
	COLOR		Pearl conours black	Chevalier silver metallic	Eclipse orange metallic	Applicable model		Applicable block No.	Ref. No.
	CODE		NH-A65P	NH-A83M	YR-290M	Initial applicable model	Final applicable model		
	Name of colored parts	Basic part No.	NHA65	NHA83	YR290				
1	CARRIER, RR.	81300-MBT-C40	ZA	ZA	ZA			F-17	10
2	COVER, HEADLIGHT UNDER	64223-MBT-C40	ZA	ZA	ZA			F-34	14
3	COVER, L. TAIL CAP	18390-MBT-C40	ZA	ZA	ZA			F-20	17
4	COVER, L. UPPER COWL	64222-MBT-C40	ZA	ZA	ZA			F-34-1	7
5	COVER, R. TAIL CAP	18380-MBT-C40	ZA	ZA	ZA			F-20	14
6	COVER, R. UPPER COWL	64221-MBT-C40	ZA	ZA	ZA			F-34-1	6
7	COWL ASSY., SEAT	77260-MBT-C40	ZA	ZB	ZD			F-18	13
8	COWL SET, L. MIDDLE	64380-MBT-C40	ZA	ZC	-			F-34-1	23
9	COWL SET, L. MIDDLE	64380-MBT-C80	-	-	ZD			F-34-1	23
10	COWL SET, R. MIDDLE	64330-MBT-C40	ZA	ZC	-			F-34-1	21
11	COWL SET, R. MIDDLE	64330-MBT-C80	-	-	ZD			F-34-1	21
12	COWL, L. INNER	64280-MBT-D20	ZB	ZB	ZB			F-34-1	19
13	COWL, R. INNER	64270-MBT-D20	ZB	ZB	ZB			F-34-1	13
14	COWL, UPPER	64210-MBT-C40	ZA	ZA	ZA			F-34	13
15	FENDER SET, FR.	61110-MBT-C40	ZB	ZB	ZB			F-8	2
16	FIN, L. RADIATOR	64371-MBT-D20	ZA	ZA	ZA			F-34-1	22
17	FIN, R. RADIATOR	64321-MBT-D20	ZA	ZA	ZA			F-34-1	20
18	GUARD, L. KNUCKLE	53185-MAN-911	ZA	ZA	ZA			F-3	20
19	GUARD, R. KNUCKLE	53180-MBT-D20	ZA	ZA	ZA			F-4	14
20	MARK	87131-MBT-C40	ZA	ZA	ZA			F-36	7
21	MARK, FR. FENDER	87134-MBT-C40	ZB	ZB	ZB			F-36	8
22	STRIPE, L. FUEL TANK	17512-MBT-C40	ZA	ZC	-			F-36	2
23	STRIPE, L. FUEL TANK	17512-MBT-C80	-	-	ZA			F-36	2
24	STRIPE, L. MIDDLE COWL	64332-MBT-C40	ZA	ZC	-			F-36	6
25	STRIPE, L. MIDDLE COWL	64332-MBT-C80	-	-	ZA			F-36	6
26	STRIPE, R. FUEL TANK	17511-MBT-C40	ZA	ZC	-			F-36	1
27	STRIPE, R. FUEL TANK	17511-MBT-C80	-	-	ZA			F-36	1
28	STRIPE, R. MIDDLE COWL	64331-MBT-C40	ZA	ZC	-			F-36	5
29	STRIPE, R. MIDDLE COWL	64331-MBT-C80	-	-	ZA			F-36	5
30	TANK SET, FUEL	17520-MBT-C40	ZD	ZC	-			F-16	18
31	TANK SET, FUEL	17520-MBT-C80	-	-	ZD			F-16	18

## XL1000V (XL1000V9)

No.	MODEL		XL1000V9						
	COLOR		Pearl conours black	Chevalier silver metallic	Barley yellow metallic	Applicable model		Applicable block No.	Ref. No.
	CODE		NH-A65P	NH-A83M	Y-199M	Initial applicable model	Final applicable model		
	Name of colored parts	Basic part No.	NHA65	NHA83	Y199				
1	CARRIER, RR.	81300-MBT-C40	ZA	ZA	ZA			F-17	10
2	COVER, HEADLIGHT UNDER	64223-MBT-C40	ZA	ZA	ZA			F-34	14
3	COVER, L. TAIL CAP	18390-MBT-C40	ZA	ZA	ZA			F-20	17
4	COVER, L. UPPER COWL	64222-MBT-C40	ZA	ZA	ZA			F-34-1	7
5	COVER, R. TAIL CAP	18380-MBT-C40	ZA	ZA	ZA			F-20	14
6	COVER, R. UPPER COWL	64221-MBT-C40	ZA	ZA	ZA			F-34-1	6
7	COWL ASSY., SEAT	77260-MBT-C40	ZA	ZB	ZE			F-18	13
8	COWL SET, L. MIDDLE	64380-MBT-C40	ZA	ZC	-			F-34-1	23
9	COWL SET, L. MIDDLE	64380-MBT-S20	-	-	ZA			F-34-1	23
10	COWL SET, R. MIDDLE	64330-MBT-C40	ZA	ZC	-			F-34-1	21
11	COWL SET, R. MIDDLE	64330-MBT-S20	-	-	ZA			F-34-1	21
12	COWL, L. INNER	64280-MBT-D20	ZB	ZB	ZB			F-34-1	19
13	COWL, R. INNER	64270-MBT-D20	ZB	ZB	ZB			F-34-1	13
14	COWL, UPPER	64210-MBT-C40	ZA	ZA	ZA			F-34	13
15	FENDER SET, FR.	61110-MBT-C40	ZB	ZB	ZB			F-8	2
16	FIN, L. RADIATOR	64371-MBT-D20	ZA	ZA	ZA			F-34-1	22
17	FIN, R. RADIATOR	64321-MBT-D20	ZA	ZA	ZA			F-34-1	20
18	GUARD, L. KNUCKLE	53185-MAN-911	ZA	ZA	ZA			F-3	20
19	GUARD, R. KNUCKLE	53180-MBT-D20	ZA	ZA	ZA			F-4	14
20	MARK	87131-MBT-C40	ZA	ZA	ZA			F-36	7
21	MARK, FR. FENDER	87134-MBT-C40	ZB	ZB	ZB			F-36	8
22	STRIPE, L. FUEL TANK	17512-MBT-C40	ZA	ZC	-			F-36	2
23	STRIPE, L. FUEL TANK	17512-MBT-S20	-	-	ZA			F-36	2
24	STRIPE, L. MIDDLE COWL	64332-MBT-C40	ZA	ZC	-			F-36	6
25	STRIPE, L. MIDDLE COWL	64332-MBT-S20	-	-	ZA			F-36	6
26	STRIPE, R. FUEL TANK	17511-MBT-C40	ZA	ZC	-			F-36	1
27	STRIPE, R. FUEL TANK	17511-MBT-S20	-	-	ZA			F-36	1
28	STRIPE, R. MIDDLE COWL	64331-MBT-C40	ZA	ZC	-			F-36	5
29	STRIPE, R. MIDDLE COWL	64331-MBT-S20	-	-	ZA			F-36	5
30	TANK SET, FUEL	17520-MBT-C40	ZD	ZC	-			F-16	18
31	TANK SET, FUEL	17520-MBT-S20	-	-	ZA			F-16	18

## XL1000VA (XL1000VA7)

No.	MODEL		XL1000VA7						
	COLOR		Pearl conours black	Chevalier silver metallic	Bloom red metallic	Applicable model		Applicable block No.	Ref. No.
	CODE		NH-A65P	NH-A83M	R-319M	Initial applicable model	Final applicable model		
	Name of colored parts	Basic part No.	NHA65	NHA83	R319				
1	CARRIER, RR.	81300-MBT-C40	ZA	ZA	ZA			F-17	10
2	COVER, HEADLIGHT UNDER	64223-MBT-C40	ZA	ZA	ZA			F-34	14
3	COVER, L. TAIL CAP	18390-MBT-C40	ZA	ZA	ZA			F-20	17
4	COVER, L. UPPER COWL	64222-MBT-C40	ZA	ZA	ZA			F-34-1	7
5	COVER, R. TAIL CAP	18380-MBT-C40	ZA	ZA	ZA			F-20	14
6	COVER, R. UPPER COWL	64221-MBT-C40	ZA	ZA	ZA			F-34-1	6
7	COWL ASSY., SEAT	77260-MBT-C40	ZA	ZB	ZC			F-18	13
8	COWL SET, L. MIDDLE	64380-MBT-C40	ZA	ZC	ZB			F-34-1	23
9	COWL SET, R. MIDDLE	64330-MBT-C40	ZA	ZC	ZB			F-34-1	21
10	COWL, L. INNER	64280-MBT-D20	ZB	ZB	ZB			F-34-1	19
11	COWL, R. INNER	64270-MBT-D20	ZB	ZB	ZB			F-34-1	13
12	COWL, UPPER	64210-MBT-C40	ZA	ZA	ZA			F-34	13
13	FENDER SET, FR.	61110-MBT-C50	ZA	ZA	ZA			F-8	2
14	FIN, L. RADIATOR	64371-MBT-D20	ZA	ZA	ZA			F-34-1	22
15	FIN, R. RADIATOR	64321-MBT-D20	ZA	ZA	ZA			F-34-1	20
16	GUARD, L. KNUCKLE	53185-MAN-911	ZA	ZA	ZA			F-3	20
17	GUARD, R. KNUCKLE	53180-MBT-D20	ZA	ZA	ZA			F-4-1	14
18	MARK	87131-MBT-C40	ZA	ZA	ZA			F-36	7
19	MARK, L. FR. FENDER	61106-MBT-C50	ZB	ZB	ZB			F-36	4
20	MARK, R. FR. FENDER	61105-MBT-C50	ZB	ZB	ZB			F-36	3
21	STRIPE, L. FUEL TANK	17512-MBT-C40	ZA	ZC	ZB			F-36	2
22	STRIPE, L. MIDDLE COWL	64332-MBT-C40	ZA	ZC	ZB			F-36	6
23	STRIPE, R. FUEL TANK	17511-MBT-C40	ZA	ZC	ZB			F-36	1
24	STRIPE, R. MIDDLE COWL	64331-MBT-C40	ZA	ZC	ZB			F-36	5
25	TANK SET, FUEL	17520-MBT-C40	ZD	ZC	ZE			F-16	18

## XL1000VA (XL1000VA8)

No.	MODEL		XL1000VA8						
	COLOR		Pearl conours black	Chevalier silver metallic	Eclipse orange metallic	Applicable model		Applicable block No.	Ref. No.
	CODE		NH-A65P	NH-A83M	YR-290M	Initial applicable model	Final applicable model		
	Name of colored parts	Basic part No.	NHA65	NHA83	YR290				
1	CARRIER, RR.	81300-MBT-C40	ZA	ZA	ZA			F-17	10
2	COVER, HEADLIGHT UNDER	64223-MBT-C40	ZA	ZA	ZA			F-34	14
3	COVER, L. TAIL CAP	18390-MBT-C40	ZA	ZA	ZA			F-20	17
4	COVER, L. UPPER COWL	64222-MBT-C40	ZA	ZA	ZA			F-34-1	7
5	COVER, R. TAIL CAP	18380-MBT-C40	ZA	ZA	ZA			F-20	14
6	COVER, R. UPPER COWL	64221-MBT-C40	ZA	ZA	ZA			F-34-1	6
7	COWL ASSY., SEAT	77260-MBT-C40	ZA	ZB	ZD			F-18	13
8	COWL SET, L. MIDDLE	64380-MBT-C40	ZA	ZC	-			F-34-1	23
9	COWL SET, L. MIDDLE	64380-MBT-C80	-	-	ZD			F-34-1	23
10	COWL SET, R. MIDDLE	64330-MBT-C40	ZA	ZC	-			F-34-1	21
11	COWL SET, R. MIDDLE	64330-MBT-C80	-	-	ZD			F-34-1	21
12	COWL, L. INNER	64280-MBT-D20	ZB	ZB	ZB			F-34-1	19
13	COWL, R. INNER	64270-MBT-D20	ZB	ZB	ZB			F-34-1	13
14	COWL, UPPER	64210-MBT-C40	ZA	ZA	ZA			F-34	13
15	FENDER SET, FR.	61110-MBT-C50	ZA	ZA	ZA			F-8	2
16	FIN, L. RADIATOR	64371-MBT-D20	ZA	ZA	ZA			F-34-1	22
17	FIN, R. RADIATOR	64321-MBT-D20	ZA	ZA	ZA			F-34-1	20
18	GUARD, L. KNUCKLE	53185-MAN-911	ZA	ZA	ZA			F-3	20
19	GUARD, R. KNUCKLE	53180-MBT-D20	ZA	ZA	ZA			F-4-1	14
20	MARK	87131-MBT-C40	ZA	ZA	ZA			F-36	7
21	MARK, L. FR. FENDER	61106-MBT-C50	ZB	ZB	ZB			F-36	4
22	MARK, R. FR. FENDER	61105-MBT-C50	ZB	ZB	ZB			F-36	3
23	STRIPE, L. FUEL TANK	17512-MBT-C40	ZA	ZC	-			F-36	2
24	STRIPE, L. FUEL TANK	17512-MBT-C80	-	-	ZA			F-36	2
25	STRIPE, L. MIDDLE COWL	64332-MBT-C40	ZA	ZC	-			F-36	6
26	STRIPE, L. MIDDLE COWL	64332-MBT-C80	-	-	ZA			F-36	6
27	STRIPE, R. FUEL TANK	17511-MBT-C40	ZA	ZC	-			F-36	1
28	STRIPE, R. FUEL TANK	17511-MBT-C80	-	-	ZA			F-36	1
29	STRIPE, R. MIDDLE COWL	64331-MBT-C40	ZA	ZC	-			F-36	5
30	STRIPE, R. MIDDLE COWL	64331-MBT-C80	-	-	ZA			F-36	5
31	TANK SET, FUEL	17520-MBT-C40	ZD	ZC	-			F-16	18
32	TANK SET, FUEL	17520-MBT-C80	-	-	ZD			F-16	18



## XL1000VA (XL1000VA9)

No.	MODEL		XL1000VA9						
	COLOR		Pearl conours black	Chevalier silver metallic	Barley yellow metallic	Applicable model		Applicable block No.	Ref. No.
	CODE		NH-A65P	NH-A83M	Y-199M	Initial applicable model	Final applicable model		
	Name of colored parts	Basic part No.	NHA65	NHA83	Y199				
1	CARRIER, RR.	81300-MBT-C40	ZA	ZA	ZA			F-17	10
2	COVER, HEADLIGHT UNDER	64223-MBT-C40	ZA	ZA	ZA			F-34	14
3	COVER, L. TAIL CAP	18390-MBT-C40	ZA	ZA	ZA			F-20	17
4	COVER, L. UPPER COWL	64222-MBT-C40	ZA	ZA	ZA			F-34-1	7
5	COVER, R. TAIL CAP	18380-MBT-C40	ZA	ZA	ZA			F-20	14
6	COVER, R. UPPER COWL	64221-MBT-C40	ZA	ZA	ZA			F-34-1	6
7	COWL ASSY., SEAT	77260-MBT-C40	ZA	ZB	ZE			F-18	13
8	COWL SET, L. MIDDLE	64380-MBT-C40	ZA	ZC	-			F-34-1	23
9	COWL SET, L. MIDDLE	64380-MBT-S20	-	-	ZA			F-34-1	23
10	COWL SET, R. MIDDLE	64330-MBT-C40	ZA	ZC	-			F-34-1	21
11	COWL SET, R. MIDDLE	64330-MBT-S20	-	-	ZA			F-34-1	21
12	COWL, L. INNER	64280-MBT-D20	ZB	ZB	ZB			F-34-1	19
13	COWL, R. INNER	64270-MBT-D20	ZB	ZB	ZB			F-34-1	13
14	COWL, UPPER	64210-MBT-C40	ZA	ZA	ZA			F-34	13
15	FENDER SET, FR.	61110-MBT-C50	ZA	ZA	ZA			F-8	2
16	FIN, L. RADIATOR	64371-MBT-D20	ZA	ZA	ZA			F-34-1	22
17	FIN, R. RADIATOR	64321-MBT-D20	ZA	ZA	ZA			F-34-1	20
18	GUARD, L. KNUCKLE	53185-MAN-911	ZA	ZA	ZA			F-3	20
19	GUARD, R. KNUCKLE	53180-MBT-D20	ZA	ZA	ZA			F-4-1	14
20	MARK	87131-MBT-C40	ZA	ZA	ZA			F-36	7
21	MARK, L. FR. FENDER	61106-MBT-C50	ZB	ZB	ZB			F-36	4
22	MARK, R. FR. FENDER	61105-MBT-C50	ZB	ZB	ZB			F-36	3
23	STRIPE, L. FUEL TANK	17512-MBT-C40	ZA	ZC	-			F-36	2
24	STRIPE, L. FUEL TANK	17512-MBT-S20	-	-	ZA			F-36	2
25	STRIPE, L. MIDDLE COWL	64332-MBT-C40	ZA	ZC	-			F-36	6
26	STRIPE, L. MIDDLE COWL	64332-MBT-S20	-	-	ZA			F-36	6
27	STRIPE, R. FUEL TANK	17511-MBT-C40	ZA	ZC	-			F-36	1
28	STRIPE, R. FUEL TANK	17511-MBT-S20	-	-	ZA			F-36	1
29	STRIPE, R. MIDDLE COWL	64331-MBT-C40	ZA	ZC	-			F-36	5
30	STRIPE, R. MIDDLE COWL	64331-MBT-S20	-	-	ZA			F-36	5
31	TANK SET, FUEL	17520-MBT-C40	ZD	ZC	-			F-16	18
32	TANK SET, FUEL	17520-MBT-S20	-	-	ZA			F-16	18

## Fuel hose, general purpose hoses and vinyl hose

- The standard part fuel hose, general purpose hose and vinyl hose may be substituted by the coiled bulk part.
- When ordering the standard part fuel hose, general purpose hose and vinyl hose use the bulk part number written in the parts catalogue in brackets ( ) underneath the part name, or use the catalogue below.  
(The bulk part standard length is 1 m, however, those displayed in the catalogue < > are available in 3 m and 8 m lengths.)
- When exchanging the hose, cut and use at the specified length as mentioned in the part name.  
(For the method of cutting the bulk part, and method of filling out orders etc., please refer to the service manual and the instructions issued with the bulk part.)
- The list below is a catalogue of the standard part numbers and bulk part numbers. Note that those numbers are applicable to the listed replacement parts only.

Fuel hoses/Tubes			
Standard part No.	Bulk part No.	Bulk part	
		Inner diameter (mm)	Length (m)
95001-30xxx-2x	95001-30001-20M	3.0	1
95001-30xxx-3x	95001-30001-30M	3.0	1
95001-30xxx-4x	95001-30001-40M	3.0	1
95001-35xxx-2x	95001-35001-50M <95001-35003-50M>	3.5	1 3
95001-35xxx-3x	95001-35001-60M <95001-35003-60M>	3.5	1 3
95001-35xxx-4x	95001-35001-60M <95001-35003-60M>	3.5	1 3
95001-35xxx-5x	95001-35001-50M <95001-35003-50M>	3.5	1 3
95001-35xxx-6x	95001-35001-60M <95001-35003-60M>	3.5	1 3
95001-45xxx-2x	95001-45001-50M <95001-45003-50M>	4.5	1 3
95001-45xxx-3x	95001-45001-60M <95001-45003-60M> <95001-45008-60M>	4.5	1 3 8
95001-45xxx-4x	95001-45001-60M <95001-45003-60M> <95001-45008-60M>	4.5	1 3 8
95001-45xxx-5x	95001-45001-50M <95001-45003-50M>	4.5	1 3
95001-45xxx-6x	95001-45001-60M <95001-45003-60M> <95001-45008-60M>	4.5	1 3 8
95001-55xxx-2x	95001-55001-50M <95001-55003-50M> <95001-55008-50M>	5.5	1 3 8

Fuel hoses/Tubes			
Standard part No.	Bulk part No.	Bulk part	
		Inner diameter (mm)	Length (m)
95001-55xxx-3x	95001-55001-60M <95001-55003-60M> <95001-55008-60M>	5.5	1 3 8
95001-55xxx-4x	95001-55001-60M <95001-55003-60M> <95001-55008-60M>	5.5	1 3 8
95001-55xxx-5x	95001-55001-50M <95001-55003-50M> <95001-55008-50M>	5.5	1 3 8
95001-55xxx-6x	95001-55001-60M <95001-55003-60M> <95001-55008-60M>	5.5	1 3 8
95001-75xxx-2x	95001-75001-50M <95001-75003-50M>	7.5	1 3
95001-75xxx-3x	95001-75001-60M <95001-75003-60M> <95001-75008-60M>	7.5	1 3 8
95001-75xxx-4x	95001-75001-60M <95001-75003-60M> <95001-75008-60M>	7.5	1 3 8
95001-75xxx-5x	95001-75001-50M <95001-75003-50M>	7.5	1 3
95001-75xxx-6x	95001-75001-60M <95001-75003-60M> <95001-75008-60M>	7.5	1 3 8
95001-80xxx-2x	95001-80001-50M	8.0	1
95001-80xxx-3x	95001-80001-60M	8.0	1
95001-80xxx-4x	95001-80001-60M	8.0	1
95001-80xxx-5x	95001-80001-50M	8.0	1
95001-80xxx-6x	95001-80001-60M	8.0	1

Vinyl tube				
Standard part No.	Bulk part No.	Bulk part		
		Inner dia- meter (mm)	Outer dia-meter (mm)	Length (m)
95003-01xxx-3x	95003-01001-60M	2.9	6.8	1
	<95003-01003-60M>			3
95003-01xxx-60	95003-01001-60M	2.9	6.8	1
	<95003-01003-60M>			3
95003-03xxx-3x	95003-03001-60M	3.0	6.0	1
	<95003-03003-60M>			3
95003-03xxx-60	95003-03001-60M	3.0	6.0	1
	<95003-03003-60M>			3
95003-05xxx-3x	95003-05001-60M	3.5	6.5	1
	<95003-05003-60M>			3
	<95003-05008-60M>			8
95003-05xxx-60	95003-05001-60M	3.5	6.5	1
	<95003-05003-60M>			3
	<95003-05008-60M>			8
95003-07xxx-1x	95003-07001-10M	4.0	7.0	1
	<95003-07003-10M>			3
	<95003-07008-10M>			8
95003-07xxx-20	95003-07001-10M	4.0	7.0	1
	<95003-07003-10M>			3
	<95003-07008-10M>			8
95003-07xxx-3x	95003-07001-60M	4.0	7.0	1
	<95003-07003-60M>			3
	<95003-07008-60M>			8
95003-07xxx-60	95003-07001-60M	4.0	7.0	1
	<95003-07003-60M>			3
	<95003-07008-60M>			8
95003-07xxx-7x	95003-07001-70M	4.0	7.0	1
	<95003-07003-70M>			3
	<95003-07008-70M>			8
95003-08xxx-1x	95003-08001-10M	4.5	6.5	1
	<95003-08003-10M>			3
	<95003-08008-10M>			8
95003-09xxx-3x	95003-09001-60M	4.5	8.0	1
	<95003-09003-60M>			3
95003-09xxx-60	95003-09001-60M	4.5	8.0	1
	<95003-09003-60M>			3
95003-10xxx-1x	95003-10001-10M	5.0	8.0	1
	<95003-10003-10M>			3
95003-10xxx-20	95003-10001-10M	5.0	8.0	1
	<95003-10003-10M>			3
95003-10xxx-3x	95003-10001-60M	5.0	8.0	1
	<95003-10003-60M>			3
95003-10xxx-60	95003-10001-60M	5.0	8.0	1
	<95003-10003-60M>			3
95003-11xxx-3x	95003-11001-60M	5.0	9.0	1
	<95003-11003-60M>			3
	<95003-11008-60M>			8
95003-11xxx-60	95003-11001-60M	5.0	9.0	1
	<95003-11003-60M>			3
	<95003-11008-60M>			8
95003-12xxx-1x	95003-12001-10M	5.0	7.0	1
	<95003-12003-10M>			3
	<95003-12008-10M>			8
95003-12xxx-20	95003-12001-10M	5.0	7.0	1
	<95003-12003-10M>			3
	<95003-12008-10M>			8

Vinyl tube				
Standard part No.	Bulk part No.	Bulk part		
		Inner dia- meter (mm)	Outer dia-meter (mm)	Length (m)
95003-14xxx-1x	95003-14001-10M	6.0	9.0	1
	<95003-14003-10M>			3
95003-14xxx-20	95003-14001-10M	6.0	9.0	1
	<95003-14003-10M>			3
95003-14xxx-3x	95003-14001-60M	6.0	9.0	1
	<95003-14003-60M>			3
95003-17xxx-1x	95003-17001-10M	7.0	9.0	1
	<95003-17003-10M>			3
95003-19xxx-1x	95003-19001-10M	7.0	11.0	1
	<95003-19003-10M>			3
	<95003-19008-10M>			8
95003-19xxx-20	95003-19001-10M	7.0	11.0	1
	<95003-19003-10M>			3
	<95003-19008-10M>			8
95003-19xxx-3x	95003-19001-60M	7.0	11.0	1
	<95003-19003-60M>			3
	<95003-19008-60M>			8
95003-19xxx-60	95003-19001-60M	7.0	11.0	1
	<95003-19003-60M>			3
	<95003-19008-60M>			8
95003-21xxx-1x	95003-21001-10M	8.0	9.0	1
	<95003-21003-10M>			3
95003-21xxx-20	95003-21001-10M	8.0	9.0	1
	<95003-21003-10M>			3
95003-23xxx-1x	95003-23001-10M	8.0	12.0	1
	<95003-23003-10M>			3
95003-23xxx-20	95003-23001-10M	8.0	12.0	1
	<95003-23003-10M>			3
95003-23xxx-3x	95003-23001-60M	8.0	12.0	1
	<95003-23003-60M>			3
	<95003-23008-60M>			8
95003-23xxx-60	95003-23001-60M	8.0	12.0	1
	<95003-23003-60M>			3
	<95003-23008-60M>			8
95003-25xxx-1x	95003-25001-10M	9.0	11.0	1
	<95003-25003-10M>			3
95003-25xxx-20	95003-25001-10M	9.0	11.0	1
	<95003-25003-10M>			3
95003-25xxx-3x	95003-25001-60M	9.0	11.0	1
	<95003-25003-60M>			3
95003-25xxx-7x	95003-25001-70M	9.0	11.0	1
	<95003-25003-70M>			3
95003-27xxx-1x	95003-27001-10M	9.0	13.0	1
	<95003-27003-10M>			3
95003-27xxx-20	95003-27001-10M	9.0	13.0	1
	<95003-27003-10M>			3
95003-27xxx-3x	95003-27001-60M	9.0	13.0	1
	<95003-27003-60M>			3
95003-27xxx-60	95003-27001-60M	9.0	13.0	1
	<95003-27003-60M>			3
95003-33xxx-1x	95003-33001-10M	10.0	14.0	1
	<95003-33003-10M>			3
95003-33xxx-20	95003-33001-10M	10.0	14.0	1
	<95003-33003-10M>			3

Vinyl tube				
Standard part No.	Bulk part No.	Bulk part		
		Inner dia- meter (mm)	Outer dia-meter (mm)	Length (m)
95003-36xxx-1x	95003-36001-10M	11.0	13.0	1
	<95003-36003-10M>			3
	<95003-36008-10M>			8
95003-36xxx-20	95003-36001-10M	11.0	13.0	1
	<95003-36003-10M>			3
	<95003-36008-10M>			8
95003-37xxx-3x	95003-37001-60M	11.0	15.0	1
	<95003-37003-60M>			3
95003-37xxx-60	95003-37001-60M	11.0	15.0	1
	<95003-37003-60M>			3
95003-38xxx-1x	95003-38001-10M	12.0	13.0	1
	<95003-38003-10M>			3
95003-38xxx-20	95003-38001-10M	12.0	13.0	1
	<95003-38003-10M>			3
95003-39xxx-1x	95003-39001-10M	12.0	14.0	1
	<95003-39003-10M>			3
95003-39xxx-20	95003-39001-10M	12.0	14.0	1
	<95003-39003-10M>			3
95003-40xxx-20	95003-40001-10M	12.0	16.0	1
	<95003-40003-10M>			3
95003-40xxx-3x	95003-40001-60M	12.0	16.0	1
	<95003-40003-60M>			3
95003-40xxx-60	95003-40001-60M	12.0	16.0	1
	<95003-40003-60M>			3
95003-43xxx-1x	95003-43001-10M	13.0	15.0	1
	<95003-43003-10M>			3
	<95003-43008-10M>			8
95003-43xxx-20	95003-43001-10M	13.0	15.0	1
	<95003-43003-10M>			3
	<95003-43008-10M>			8
95003-45xxx-1x	95003-45001-10M	14.0	18.0	1
	<95003-45003-10M>			3
	<95003-45008-10M>			8
95003-45xxx-20	95003-45001-10M	14.0	18.0	1
	<95003-45003-10M>			3
	<95003-45008-10M>			8
95003-50xxx-1x	95003-50001-10M	16.0	19.0	1
	<95003-50003-10M>			3
95003-50xxx-20	95003-50001-10M	16.0	19.0	1
	<95003-50003-10M>			3
95003-50xxx-3x	95003-50001-60M	16.0	19.0	1
	<95003-50003-60M>			3
95003-55xxx-1x	95003-55001-10M	17.5	20.5	1
	<95003-55003-10M>			3
95003-55xxx-20	95003-55001-10M	17.5	20.5	1
	<95003-55003-10M>			3
95003-60xxx-1x	95003-60001-10M	22.0	27.0	1
	<95003-60003-10M>			3
95003-60xxx-20	95003-60001-10M	22.0	27.0	1
	<95003-60003-10M>			3
95003-60xxx-3x	95003-60001-60M	22.0	27.0	1
	<95003-60003-60M>			3
95003-60xxx-60	95003-60001-60M	22.0	27.0	1
	<95003-60003-60M>			3

General purpose hoses			
Standard part No.	Bulk part No.	Bulk part	
		Inner diameter (mm)	Length (m)
95005-11xxx-3x	95005-11001-30M	11.0	1
95005-11xxx-5x	95005-11001-50M	11.0	1
95005-12xxx-1x	95005-12001-10M <95005-12003-10M>	12.0	1 3
95005-12xxx-2x	95005-12001-20M	12.0	1
95005-12xxx-3x	95005-12001-30M	12.0	1
95005-12xxx-5x	95005-12001-50M	12.0	1
95005-14xxx-1x	95005-14001-10M	14.0	1
95005-14xxx-2x	95005-14001-20M <95005-14003-20M>	14.0	1 3
95005-14xxx-3x	95005-14001-30M	14.0	1
95005-14xxx-5x	95005-14001-50M	14.0	1
95005-17xxx-1x	95005-17001-10M	17.0	1
95005-17xxx-2x	95005-17001-20M	17.0	1
95005-17xxx-3x	95005-17001-30M	17.0	1
95005-17xxx-5x	95005-17001-50M	17.0	1
95005-30xxx-3x	95005-30001-30M	3.0	1
95005-30xxx-5x	95005-30001-50M	3.0	1
95005-35xxx-1x	95005-35001-10M <95005-35003-10M> <95005-35008-10M>	3.5	1 3 8
95005-35xxx-2x	95005-35001-20M	3.5	1
95005-35xxx-3x	95005-35001-30M	3.5	1
95005-35xxx-4x	95005-35001-10M <95005-35003-10M> <95005-35008-10M>	3.5	1 3 8
95005-35xxx-5x	95005-35001-50M	3.5	1
95005-45xxx-1x	95005-45001-10M <95005-45003-10M> <95005-45008-10M>	4.5	1 3 8
95005-45xxx-2x	95005-45001-20M	4.5	1
95005-45xxx-3x	95005-45001-30M	4.5	1

General purpose hoses			
Standard part No.	Bulk part No.	Bulk part	
		Inner diameter (mm)	Length (m)
95005-45xxx-4x	95005-45001-10M <95005-45003-10M> <95005-45008-10M>	4.5	1 3 8
95005-45xxx-5x	95005-45001-50M	4.5	1
95005-50xxx-3x	95005-50001-30M <95005-50003-30M>	5.0	1 3
95005-50xxx-5x	95005-50001-50M	5.0	1
95005-55xxx-1x	95005-55001-10M <95005-55003-10M> <95005-55008-10M>	5.3	1 3 8
95005-55xxx-2x	95005-55001-20M <95005-55003-20M>	5.3	1 3
95005-55xxx-4x	95005-55001-10M <95005-55003-10M> <95005-55008-10M>	5.3	1 3 8
95005-65xxx-1x	95005-65001-10M <95005-65003-10M>	6.5	1 3
95005-65xxx-2x	95005-65001-20M	6.5	1
95005-70xxx-3x	95005-70001-30M <95005-70003-30M>	7.0	1 3
95005-70xxx-5x	95005-70001-50M	7.0	1
95005-75xxx-1x	95005-75001-10M <95005-75003-10M>	7.3	1 3
95005-75xxx-2x	95005-75001-20M	7.3	1
95005-80xxx-1x	95005-80001-10M <95005-80003-10M>	8.0	1 3
95005-80xxx-2x	95005-80001-20M	8.0	1
95005-80xxx-3x	95005-80001-30M	8.0	1
95005-80xxx-5x	95005-80001-50M	8.0	1
95005-91xxx-3x	95005-91001-30M	12.0	1
95005-91xxx-5x	95005-91001-50M	12.0	1
95005-92xxx-3x	95005-92001-30M	12.0	1
95005-92xxx-5x	95005-92001-50M	12.0	1

NOTE: X is displayed to represent the omitted numerals and letters of the roman alphabet.

⊙ **CAUTION: It is DANGEROUS to confuse the fuel hose with the general purpose hose or vinyl hose.**

Never use a general purpose hose or vinyl hose in place of a fuel hose or vice versa. Always use the correct bulk part in the parts catalogue, according to the service manual or the instructions issued with the bulk part.

• Bulk part number of fuel hose, general purpose hose and vinyl hose.

(Example)

95001-75001-50M

**Bulk part number:** Refers to the bulk part.

**Marking code (hose type):** (fuel hose and general purpose hose)

**Change code (for added hose):** (Vinyl hose)

- Indicates number mark or change sequence, however, the code for the bulk part must be strictly 0 (zero).

**Types of code:**

- Fuel hose
  - 2: Red outside braid (3 mm inside dia. only)
  - 5: Black inside braid
  - 3: Red (3 mm inside dia. only)
  - 4: Ash gray with red stripe (3 mm inside dia. only)
  - 6: Black
- Vinyl hose
  - 1: Clear
  - 2: Black
  - 3: Light red
  - 6: Light red
  - 7: Pale black
- General hose
  - 1: Ash gray
  - 2: Ash gray
  - 3: Black
  - 5: Black

**Lengths:** 001: 1 m (standard)  
003: 3 m  
008: 8 m

**I.D code:** (fuel hose and general purpose hose)

- 30: 3.0 mm
- 35: 3.5 mm
- 45: 4.5 mm
- 50: 5.0 mm
- 55: 5.3 mm, 5.5 mm
- 65: 6.5 mm
- 70: 7.0 mm
- 75: 7.3 mm, 7.5 mm
- 80: 8.0 mm
- 11: 11 mm
- 91: 12 mm (outside dia. 15) mm
- 92: 12 mm (outside dia. 16) mm
- 12: 12 mm (outside dia. 17) mm
- 14: 14 mm
- 17: 17 mm

**ID./OD. code:** (vinyl hose)

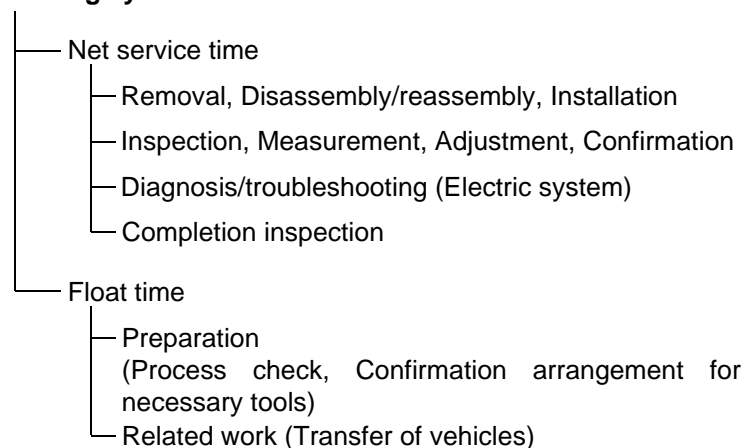
- 01: ID. 2.9, OD. 6.8 mm
- 03: ID. 3.0, OD. 6.0 mm
- 05: ID. 3.5, OD. 6.5 mm
- 07: ID. 4.0, OD. 7.0 mm
- 08: ID. 4.5, OD. 6.5 mm
- 09: ID. 4.5, OD. 8.0 mm
- 12: ID. 5.0, OD. 7.0 mm
- 10: ID. 5.0, OD. 8.0 mm
- 11: ID. 5.0, OD. 9.0 mm
- 14: ID. 6.0, OD. 9.0 mm
- 17: ID. 7.0, OD. 9.0 mm
- 19: ID. 7.0, OD. 11.0 mm
- 21: ID. 8.0, OD. 9.0 mm
- 23: ID. 8.0, OD. 12.0 mm
- 25: ID. 9.0, OD. 11.0 mm
- 27: ID. 9.0, OD. 13.0 mm
- 33: ID. 10.0, OD. 14.0 mm
- 36: ID. 11.0, OD. 13.0 mm
- 37: ID. 11.0, OD. 15.0 mm
- 38: ID. 12.0, OD. 13.0 mm
- 39: ID. 12.0, OD. 14.0 mm
- 40: ID. 12.0, OD. 16.0 mm
- 43: ID. 13.0, OD. 15.0 mm
- 45: ID. 14.0, OD. 18.0 mm
- 50: ID. 16.0, OD. 19.0 mm
- 55: ID. 17.5, OD. 20.5 mm
- 60: ID. 22.0, OD. 27.0 mm

**Hose type:** 1: Fuel hose  
3: Vinyl hose  
5: General hose

## FLAT RATE SERVICE TIME

Flat rate service time (FRT) means the standard time required to service a MC, which is listed in this manual to help the dealers control the actual working process and calculate the service charge by using it as a guide.

### FRT setting system



\* Float time is set by multiplying the net service time by a given coefficient.

### Editorial style

The service items shown in the text are listed with the exchange work time for the repair sales parts as the subject. Other representative service items not using repair parts (removal/installation, adjustment, inspection/measuring, and other work) are listed collectively in the list in the preface, classified according to the work.

### FRT setting standard

- Decimal system (in unit of 0.1) is adopted to set FRT as it is convenient to calculate the wage.  
Example: (0.1) → 6 minutes, (0.2) → 12 minutes  
[Labor cost per hour] x [FRT] = [Wage]
- FRT is set with a hand tool.
- Service items and FRT can be subject to change depending on development of tools and service equipment and improvement in service procedure.

**Work procedure**

- As the work procedure is set with the work time according to the method in the separate Service Manual, refer to this Manual as required.
- Work methods permitting servicing in the shortest time still permitting assurance of safe work and product warranty are used for the setting of service items not listed in the Service Manual.
- Work basically is to be performed by one person, and when two or more people are required, setting is done as the total time for the number of people.
- The set value for the technological level of the workers uses a person with three years of experience in the repair of Honda vehicles as the standard.
- Special tools and service equipment used to set FRT are those specified or recommended in Service Manual.

**Service item whose FRT is not presented**

- Accessories and service parts that are not listed to use in this manual.
- Locations with little aging deterioration or breakage during normal use.
- Service work that can be finished by one touch.
- Service work that is seldom done (i.e. extremely small causes of trouble and service frequency).

\* When FRT is not presented, please calculate wages based on appropriate actual work time

**Operation not included of FRT**

- Oil and coolant water draining, Waiting time for warming up operation and etc..
- Additional operation that involves removal/installation of standard exterior equipment.
- Indirect time spent for service by visiting the customer, trade-in, and delivery of a MC.
- Indirect time required for ordering and delivery of parts.
- Cost for grease, adhesive agent, etc. used for service work.

**Explanation of FRT by using an example  
(The example may differ from the actual presented items)**

Ref. No.	L.O.N.	(Relative ref. Number) Description	F.R.T.
②	111118	(1, 3, 4, 7) CAMSHAFT ..... 4.5	②
③	111118A	⑥ • Includes: Valve clearance adjustment Replace rocker arm add ..... 1.0	⑤

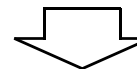
- ① Reference No. of the illustration of part that shows location of the replacement work.
- ② FRT is an abbreviation of Flat Rate Time indicating the standard service time required for the replacement.
- ③ LON is an abbreviation of Labor Operation Number, and it is a classification of the service items by the work unit code.  
  
The same operation code is used regardless of the models.  
  
Standard operation is indicated with 6 digits code, and additional operation is indicated with 7 digits code.
- ④ Indicating the camshaft replacement and FRT4.5.
- ⑤ Indicating FRT1.0 that will be added when additional operation (replace rocker arm) is done in association with camshaft replacement.

- ⑥ Indicating work contents that are included in the service item.
- ⑦ Indicating a reference No. whose operation and time are the same as FRT4.5 for the camshaft.

(The application range is limited to the service items without an LON setting within a same block.)

**How to refer to the service item by using the sample  
(camshaft replacement)**

Open to the page of the block where the camshaft's spare part illustration is shown.



Look for the camshaft illustration, and refer to the service item and FRT that agree with the reference No.



Indication mark for the listing of service items that continues to the following page

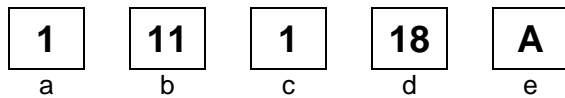
Ref. No.	L.O.N.	(Relative ref. Number) Description	F.R.T.
2	111118	CAMSHAFT .....	4.5
	.	.	.
	.	.	.
+			

Mark indicated at the last line.

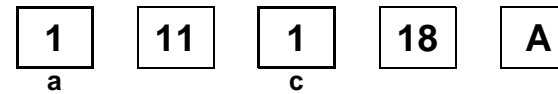
Indication of the block with no setting of FRT

Ref. No.	L.O.N.	(Relative ref. Number) Description	F.R.T.
NO INFORMATION .....			

• LON code system



- a) Category code..... Engine
- b) Location/function code ..... Engine upper
- c) Operation code..... Replace
- d) Operation sequence number (Unit code can be shown with alphabet)
  - ..... camshaft
  - (No regular rule of code)
- e) Additional code ..... replace rocker arm
- (No regular rule of code)



a) Category codes and classification

Code	Category
1	Engine
2	Transmission
3	Fuel & Exhaust
4	Frame & Body
5	Steering/Suspension
6	Electrical
7	Wheels/Brakes
8	Controls/instrument
9	-
0	-

c) Operation codes and classification

Code	Operation category
1	Replace, Removal/Installation, Change
2	Overhaul
3	Adjust, Balance
4	(Paint-related work: Top-coat)
5	Test, Inspect/diagnose, Measurement, Check
6	(Overhaul-related work: Rebore)
7	(Overhaul-related work: Reseal)
8	(Resurface)
9	(Paint-related work: Refinish)
0	Repair, Cleaning, Air bleeding

Major service items without using spare parts

(1) Removal/Installation, (2) Adjustment,  
(3) Inspection/M Measurement, (4) Overhaul, (5) Other work

E: Engine, F: Frame

#### \* OPERATIONS OTHER THAN REPLACING PARTS

##### (1) Removal and installation

Set for the configuration with the parts removed from the vehicle.

	LON	DESCRIPTION	FRT
E	1101E5	<b>TILTING ENGINE ASSEMBLY-REMOVAL/INSTALLATION</b> INCLUDES: All necessary adjustment	4.0
	3111D5	<b>THROTTLE BODY ASSEMBLY-REMOVAL/INSTALLATION</b>	1.2
	1101E6	<b>CRANKCASE SEPARATION</b> INCLUDES: Engine removal and installation	6.8

##### (2) Adjustment

	LON	DESCRIPTION	FRT
E	2123A0	<b>CLUTCH-ADJUSTMENT</b> INCLUDES: Clutch lever adjustment	0.1
	1113A0	<b>VALVE CLEARANCE-ADJUSTMENT</b> NOTE: For 1 vehicle	3.3
F	6163A0	<b>HEADLIGHT-AIMING</b>	0.1
	2133A0	<b>DRIVE CHAIN-ADJUSTMENT</b>	0.1
	7103A1	<b>FRONT WHEEL-BALANCE</b>	0.7
	7103A2	<b>REAR WHEEL-BALANCE</b>	0.7
	3113A3	<b>THROTTLE OPERATION-ADJUSTMENT</b>	0.1

##### (3) Inspection, Measurement

	LON	DESCRIPTION	FRT
E	1115A0	<b>COMPRESSION PRESSURE-MEASUREMENT</b>	0.3
	6145A0	<b>IGNITION TIMING-INSPECTION</b>	0.2
	1135A0	<b>ENGINE OIL-INSPECTION</b> EXCLUDES: Oil change	0.1
F	7115A0	<b>BRAKE OPERATION-TEST</b>	0.1
	6105A0	<b>BATTERY-CHECKING OF ELECTROLYTE LEVEL &amp; CHARGE</b>	0.2

##### (5) Other work

	LON	DESCRIPTION	FRT
E	1130A2	<b>OIL STRAINER-CLEANING</b>	1.3
F	3120A0	<b>CLEANER ELEMENT-CLEANING</b>	0.8
	7110A0	<b>FRONT BRAKE-AIR BLEEDING</b>	0.5
	7110A1	<b>REAR BRAKE-AIR BLEEDING</b>	0.5
	1151E7	<b>RADIATOR COOLANT-CHANGE</b>	0.6

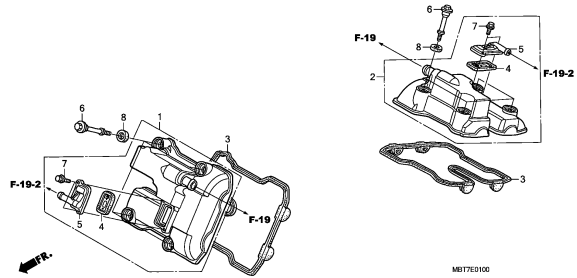
# ENGINE GROUP

C 8

E-1

CYLINDER HEAD COVER

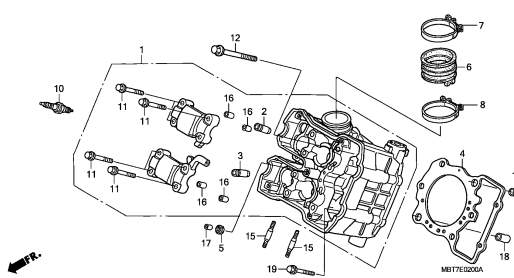
D 1



E-2

FRONT CYLINDER HEAD

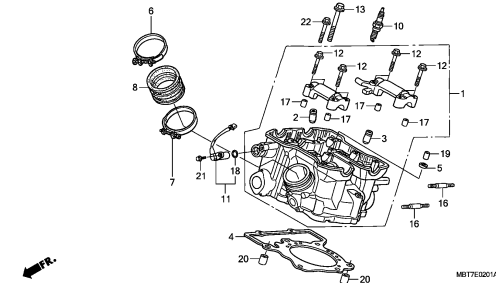
D 2



E-2-1

REAR CYLINDER HEAD

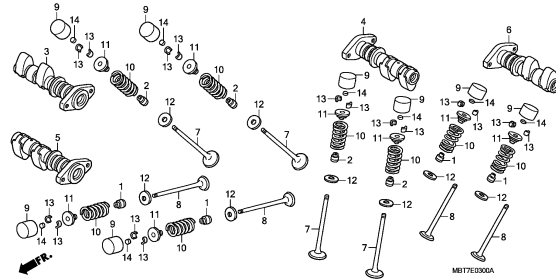
D 4



E-3

CAMSHAFT/VALVE

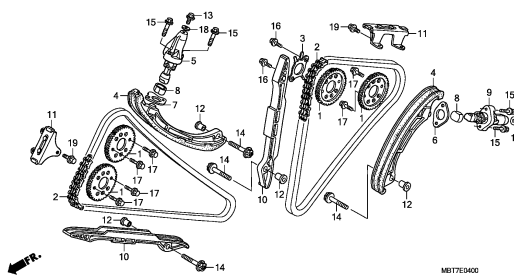
D 6



E-4

CAM CHAIN/TENSIONER

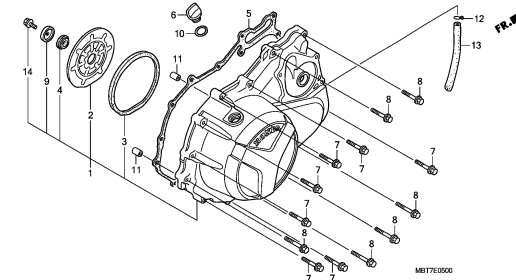
D 9



E-5

RIGHT CRANKCASE COVER

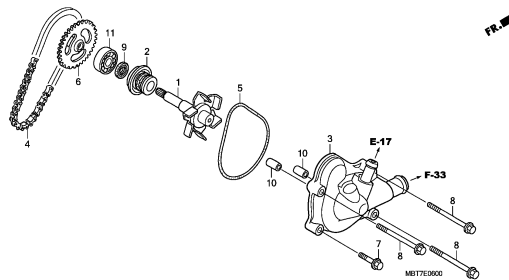
D10



E-6

WATER PUMP

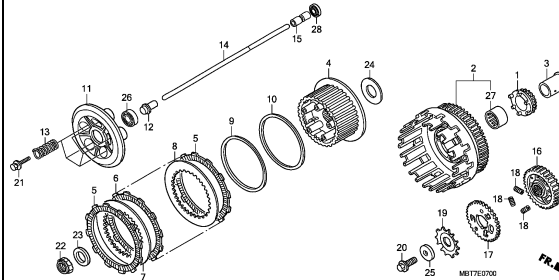
D11



E-7

CLUTCH

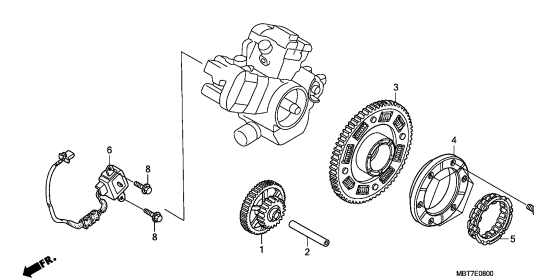
D12



E-8

PULSE GENERATOR/STARTING CLUTCH

D14



2

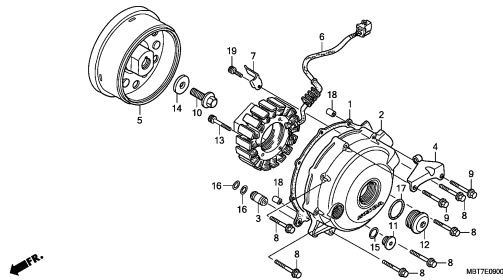
# ENGINE GROUP

C 9

E-9

GENERATOR

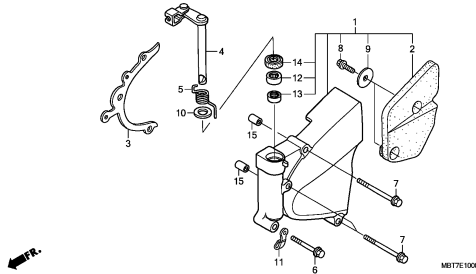
D15



E-10

LEFT CRANKCASE COVER

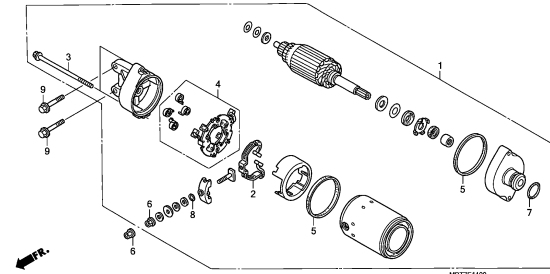
D16



E-11

STARTING MOTOR

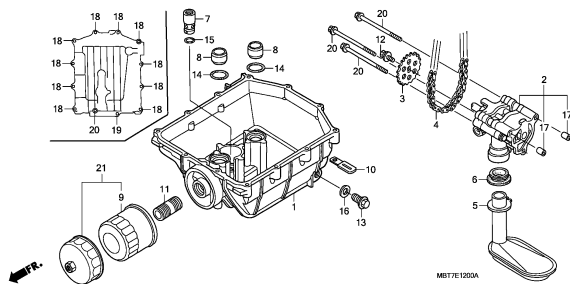
E 1



E-12

OIL PUMP

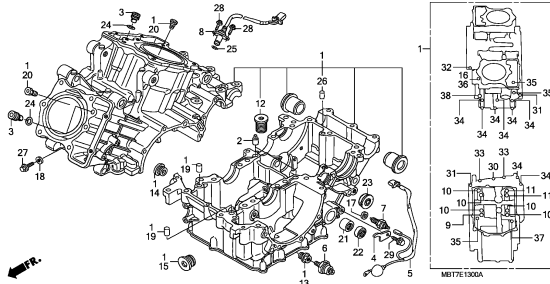
E 2



E-13

CRANKCASE

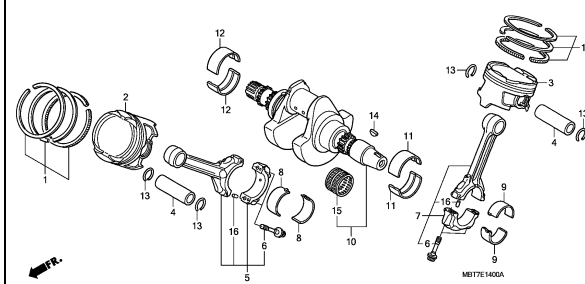
E 4



E-14

CRANKSHAFT/PISTON

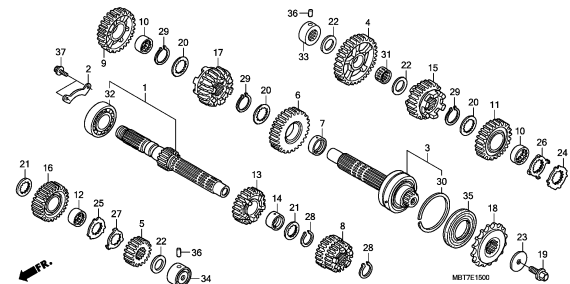
E 6



E-15

TRANSMISSION

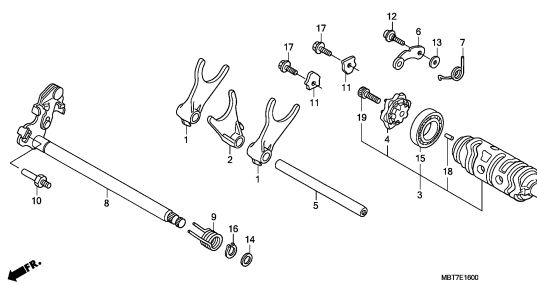
E 9



E-16

GEARSHIFT DRUM

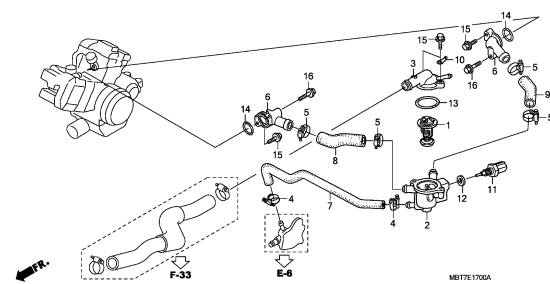
E11



E-17

WATER PIPE

E12



2

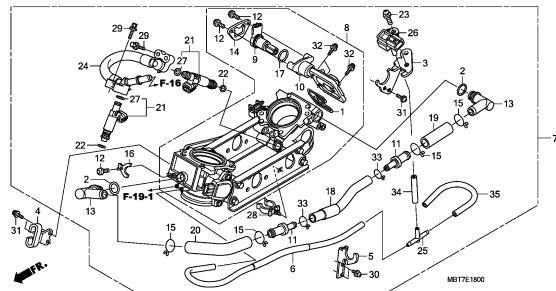
# ENGINE GROUP

C10

E-18

E13

## THROTTLE BODY



2

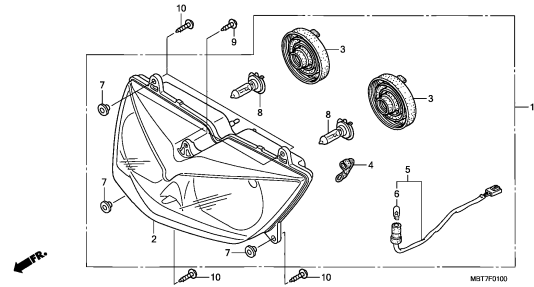
# FRAME GROUP

C11

F-1

HEADLIGHT

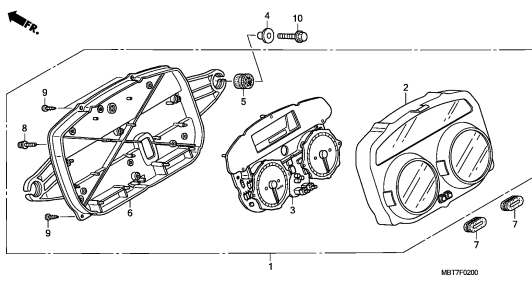
F 1



F-2

METER

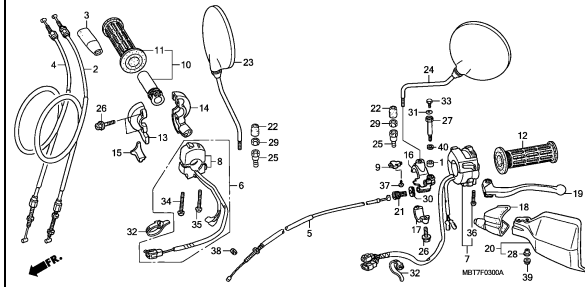
F 2



F-3

HANDLE LEVER/SWITCH/CABLE

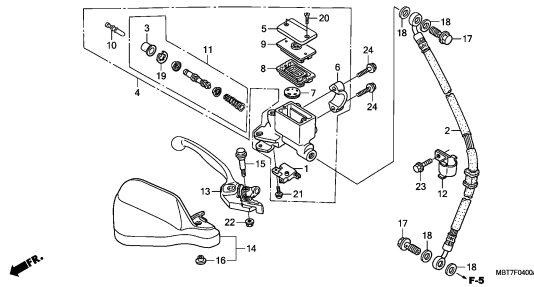
F 3



F-4

FR. BRAKE MASTER CYLINDER (XL1000V)

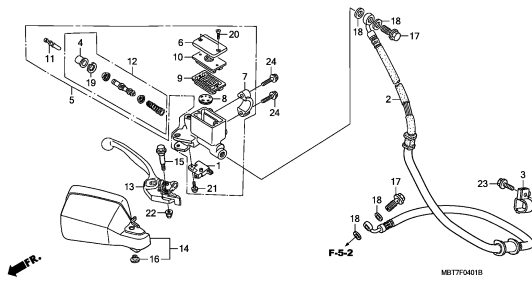
F 5



F-4-1

FR. BRAKE MASTER CYLINDER (XL1000VA)

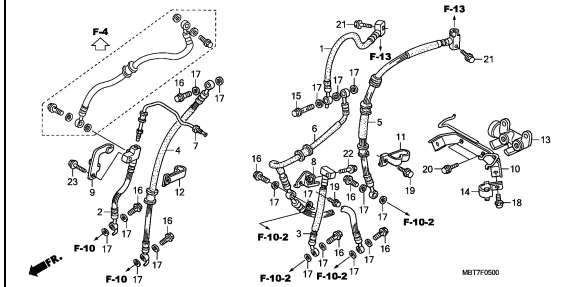
F 6



F-5

DELAY VALVE (XL1000V)

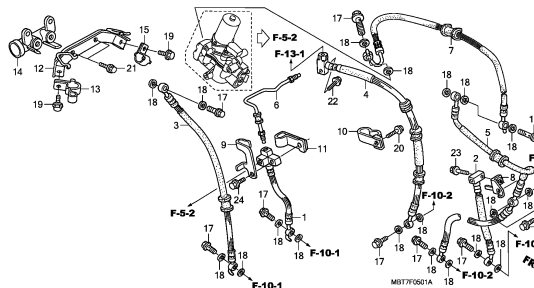
F 8



F-5-1

DELAY VALVE (XL1000VA)

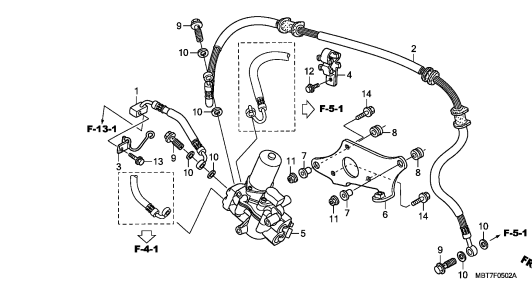
F 9



F-5-2

ABS UNIT(FRONT)

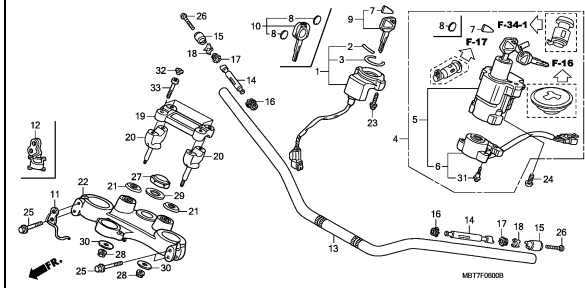
F10



F-6

HANDLE PIPE/TOP BRIDGE

F11



3

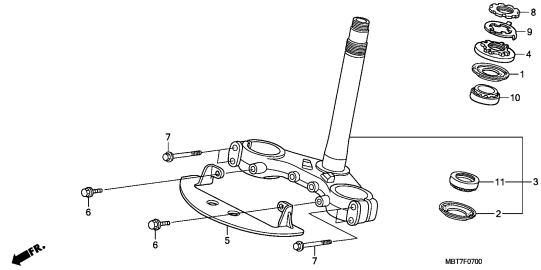
# FRAME GROUP

**C12**

**F-7**

STEERING STEM

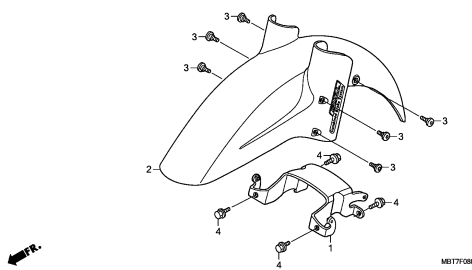
**F13**



**F-8**

FRONT FENDER

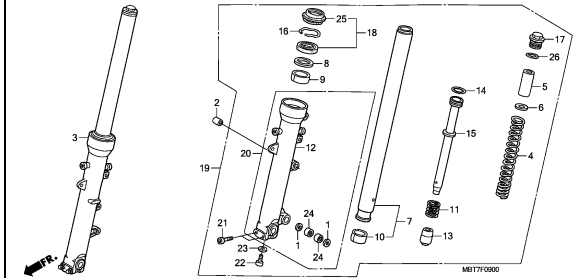
**F14**



**F-9**

FRONT FORK (XL1000V)

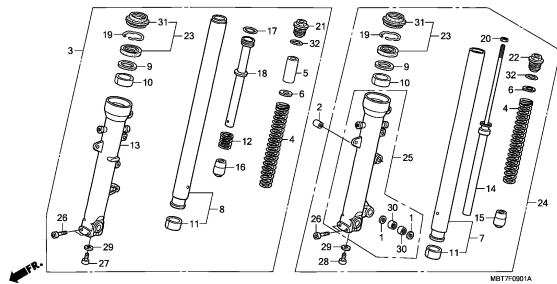
**F15**



**F-9-1**

FRONT FORK (XL1000VA)

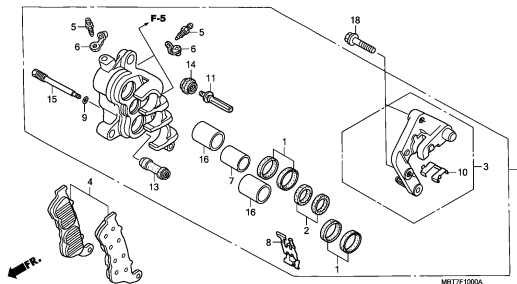
**F16**



**F-10**

FRONT BRAKE CALIPER(R.)(XL1000V)

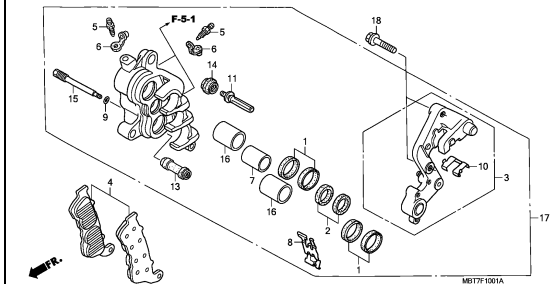
**G 2**



**F-10-1**

FRONT BRAKE CALIPER(R.)(XL1000VA)

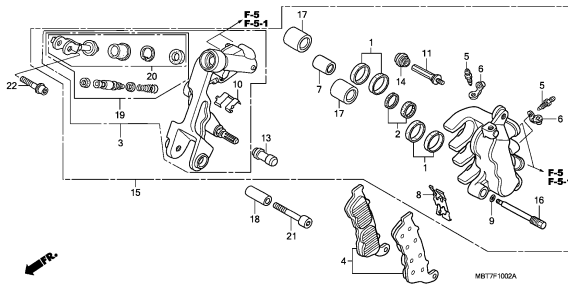
**G 3**



**F-10-2**

FRONT BRAKE CALIPER(L.)

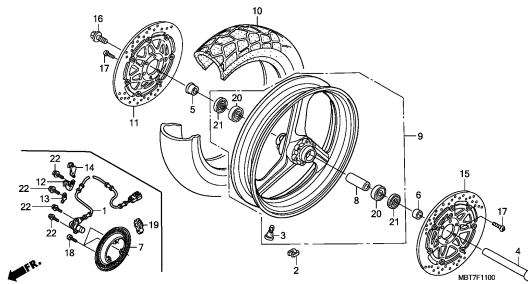
**G 4**



**F-11**

FRONT WHEEL

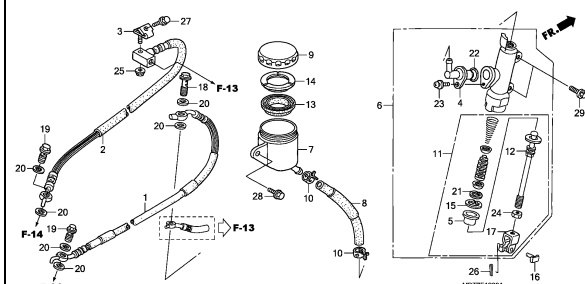
**G 5**



**F-12**

REAR BRAKE MASTER CYLINDER (XL1000V)

**G 6**



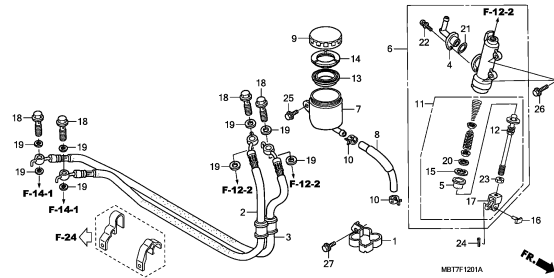
# FRAME GROUP

C13

F-12-1

REAR BRAKE MASTER CYLINDER (XL1000VA)

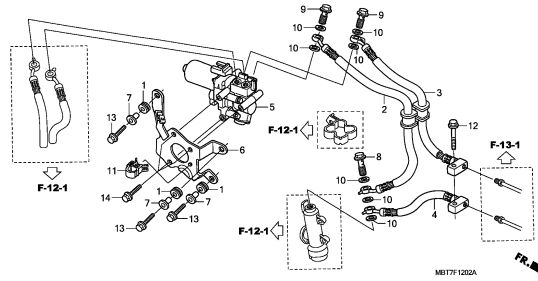
G 8



F-12-2

ABS UNIT(REAR)

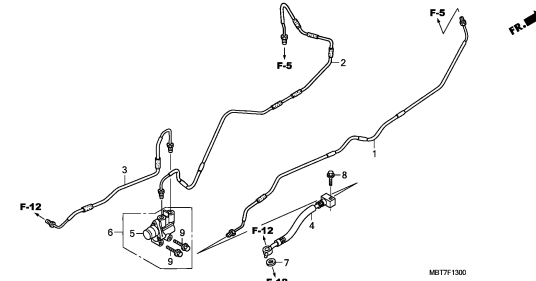
G10



F-13

PROPORTIONING CONTROL VALVE (XL1000V)

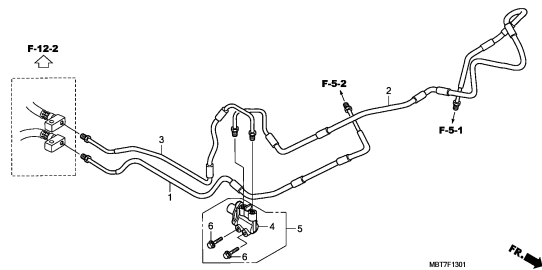
G11



F-13-1

PROPORTIONING CONTROL VALVE (XL1000VA)

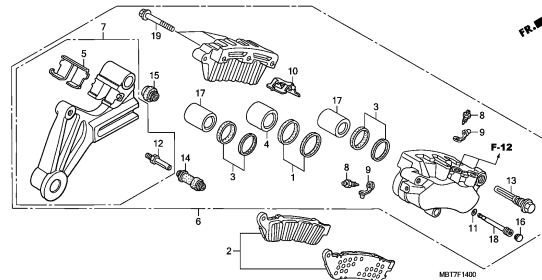
G12



F-14

REAR BRAKE CALIPER (XL1000V)

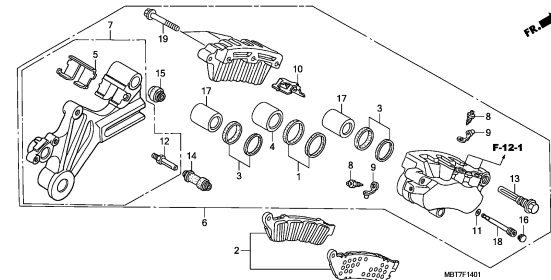
G13



F-14-1

REAR BRAKE CALIPER (XL1000VA)

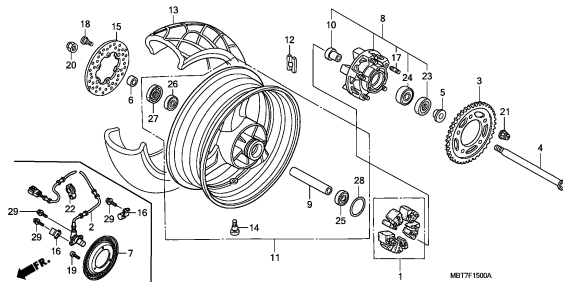
G14



F-15

REAR WHEEL

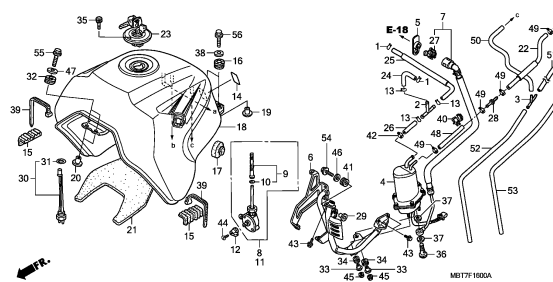
G15



F-16

FUEL TANK

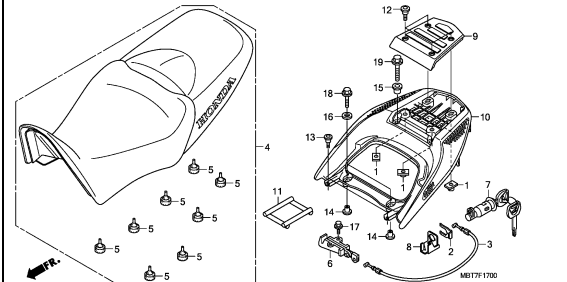
H 1



F-17

SEAT

H 4



3



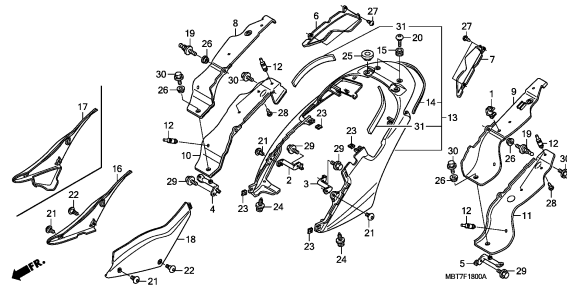
# FRAME GROUP

C14

F-18

SEAT COWL/SIDE COVER

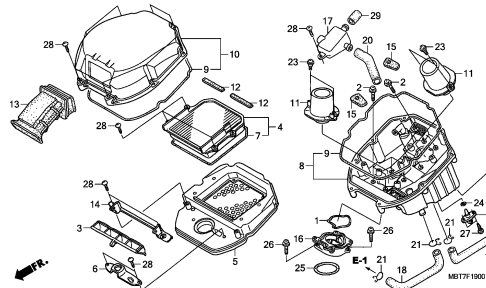
H 5



F-19

AIR CLEANER

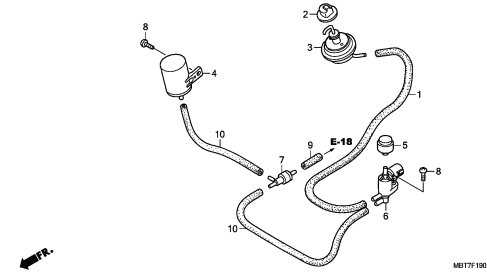
H 7



F-19-1

BYPASS CONTROL SOLENOID VALVE

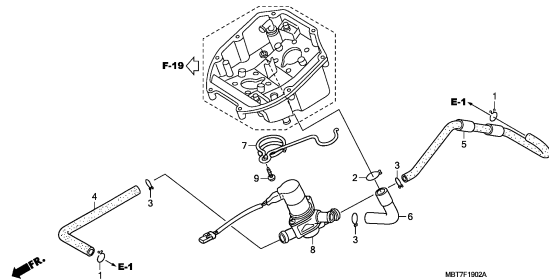
H 9



F-19-2

AIR INJECTION CONTROL VALVE

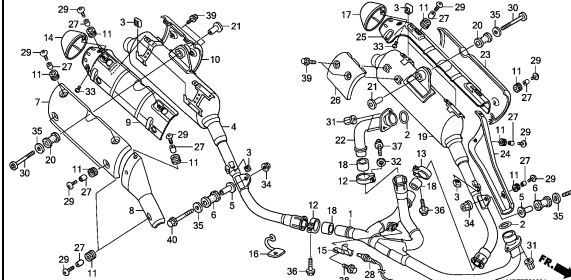
H10



F-20

EXHAUST MUFFLER

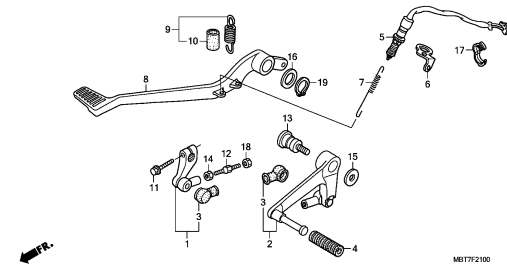
H11



F-21

PEDAL

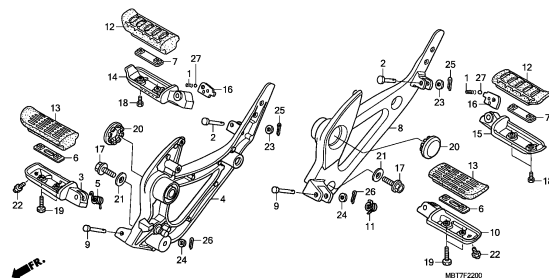
H13



F-22

STEP

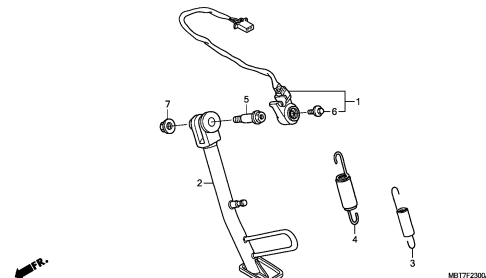
H14



F-23

STAND

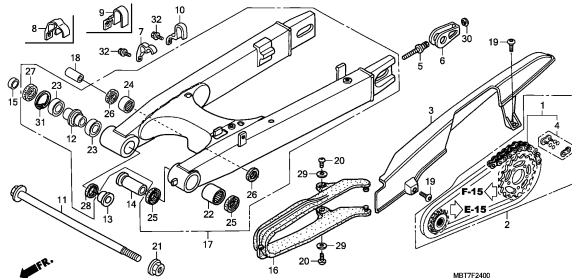
H16



F-24

SWINGARM

I 1



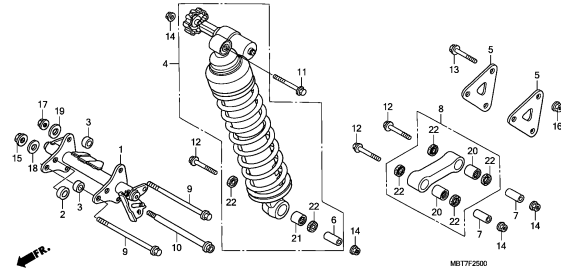
# FRAME GROUP

C15

F-25

REAR CUSHION (XL1000V)

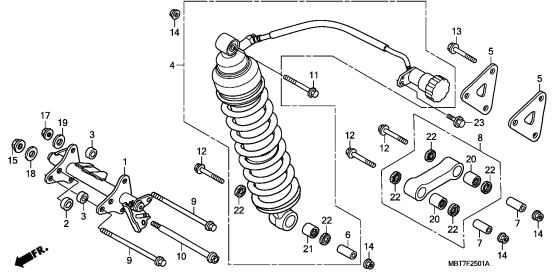
I 3



F-25-1

REAR CUSHION (XL1000VA)

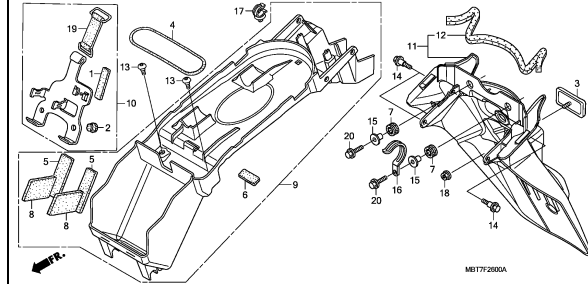
I 4



F-26

REAR FENDER

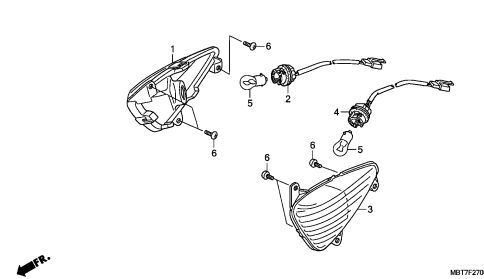
I 5



F-27

WINKER

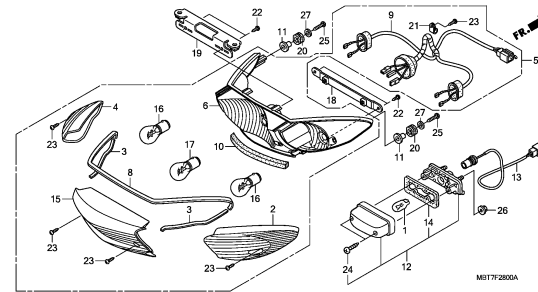
I 6



F-28

TAILLIGHT

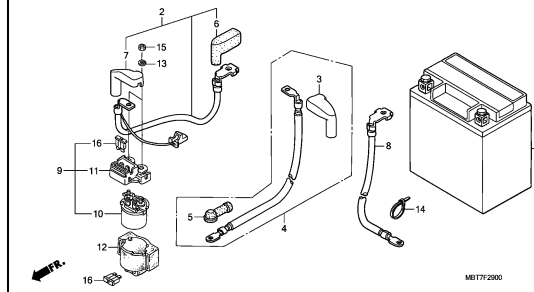
I 7



F-29

BATTERY

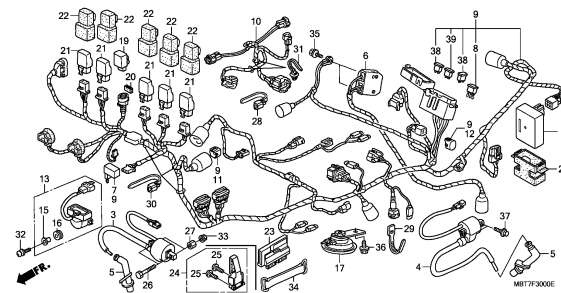
I 9



F-30

WIRE HARNESS (XL1000V)

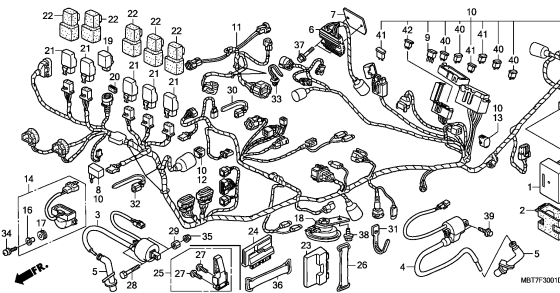
I10



F-30-1

WIRE HARNESS (XL1000VA)

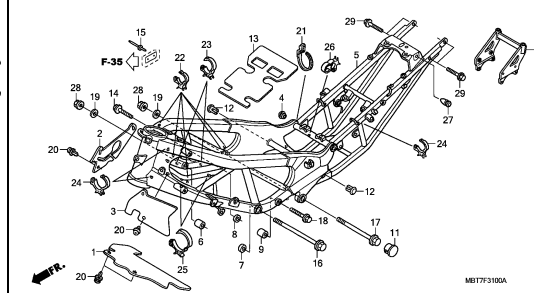
I12



F-31

FRAME BODY (XL1000V)

I14



3

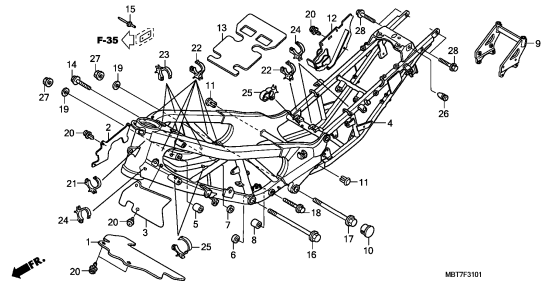
# FRAME GROUP

C16

F-31-1

FRAME BODY (XL1000VA)

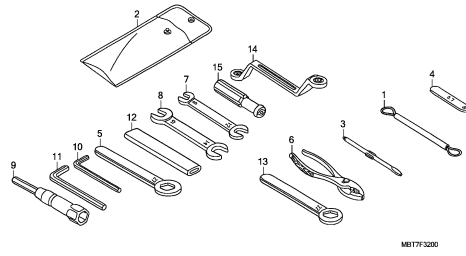
I16



F-32

TOOLS

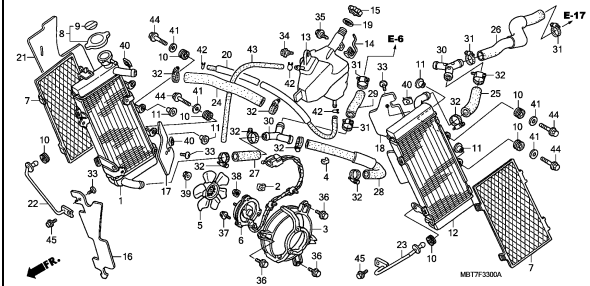
J 2



F-33

RADIATOR

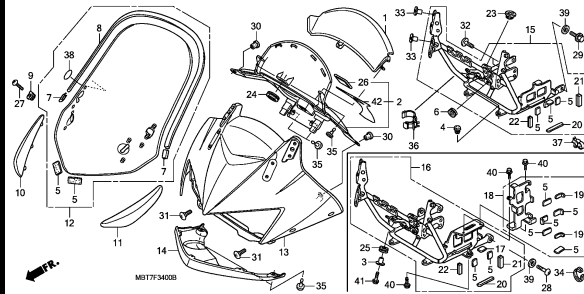
J 3



F-34

UPPER COWL

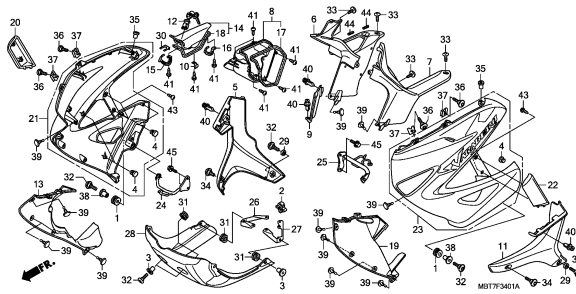
J 5



F-34-1

UNDER COWL

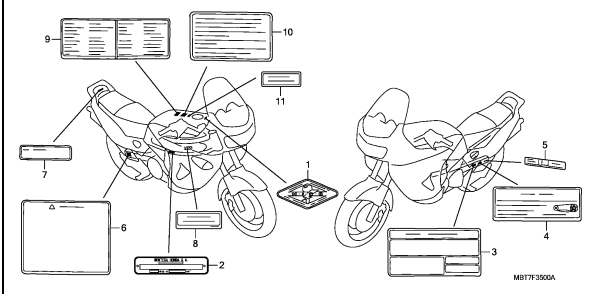
J 7



F-35

CAUTION LABEL

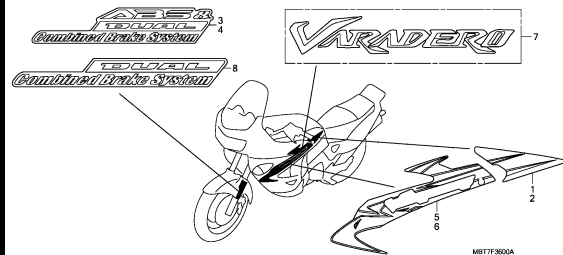
J10



F-36

MARK/STRIPE

J11

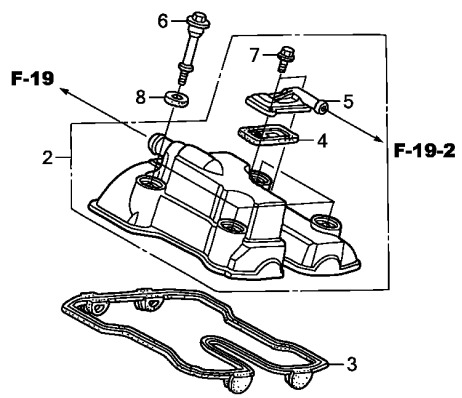
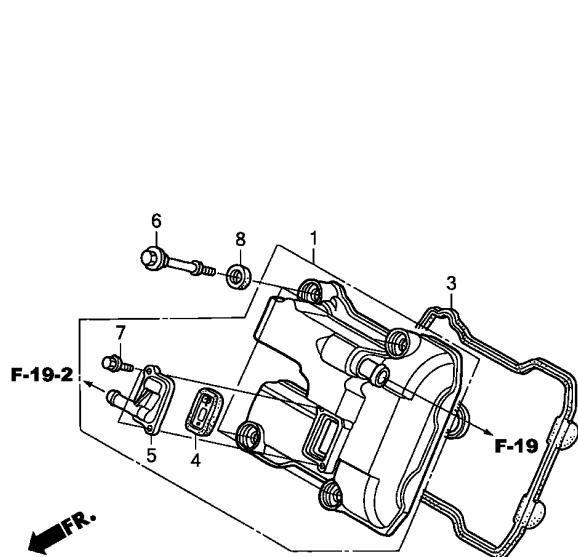


3

E-1

CYLINDER HEAD COVER

D 1

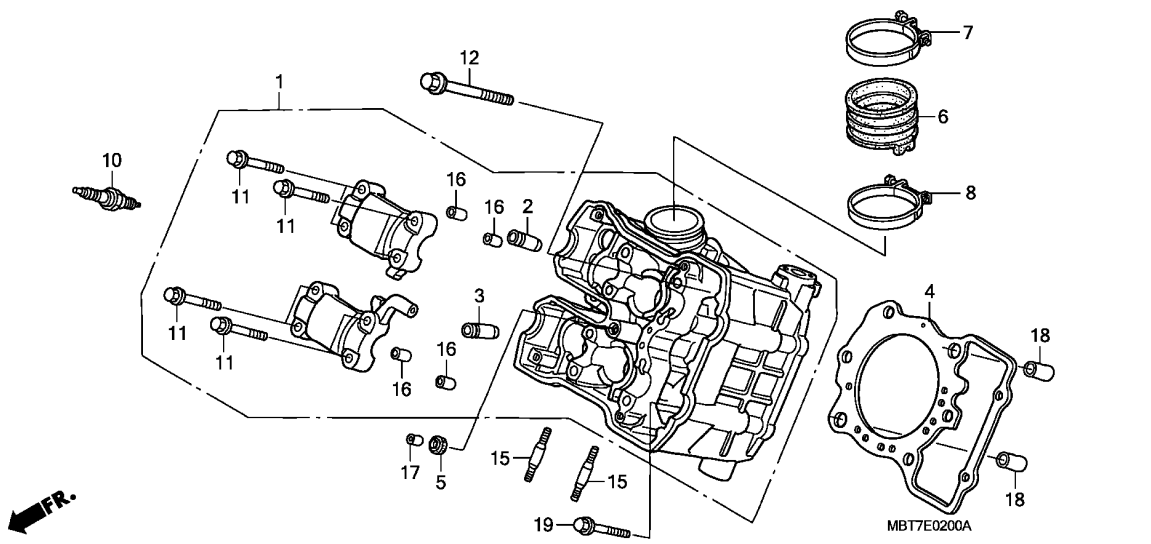


MBT7E0100

Ref. No.	L.O.N.	(Relative ref. Number) Description	F.R.T.
1	1111C7	COVER, CYLINDER HEAD :FRONT ..	0.5
	1111C9	COVER, CYLINDER HEAD :BOTH ...	1.3
2	1111C8	COVER, CYLINDER HEAD :REAR ...	0.9
	1111C9	COVER, CYLINDER HEAD :BOTH ...	1.3
3	1111D5	GASKET, CYLINDER HEAD COVER :FRONT .....	0.5
	1111D6	GASKET, CYLINDER HEAD COVER :REAR .....	0.9
	1111S7	GASKET, CYLINDER HEAD COVER :BOTH .....	1.3
4	3141A6	VALVE, PAIR CHECK :FRONT CYLINDER .....	0.1
	3141A7	VALVE, PAIR CHECK :REAR CYLINDER .....	0.7
	3141A8	VALVE, PAIR CHECK :FOR 1 VEHICLE .....	0.8

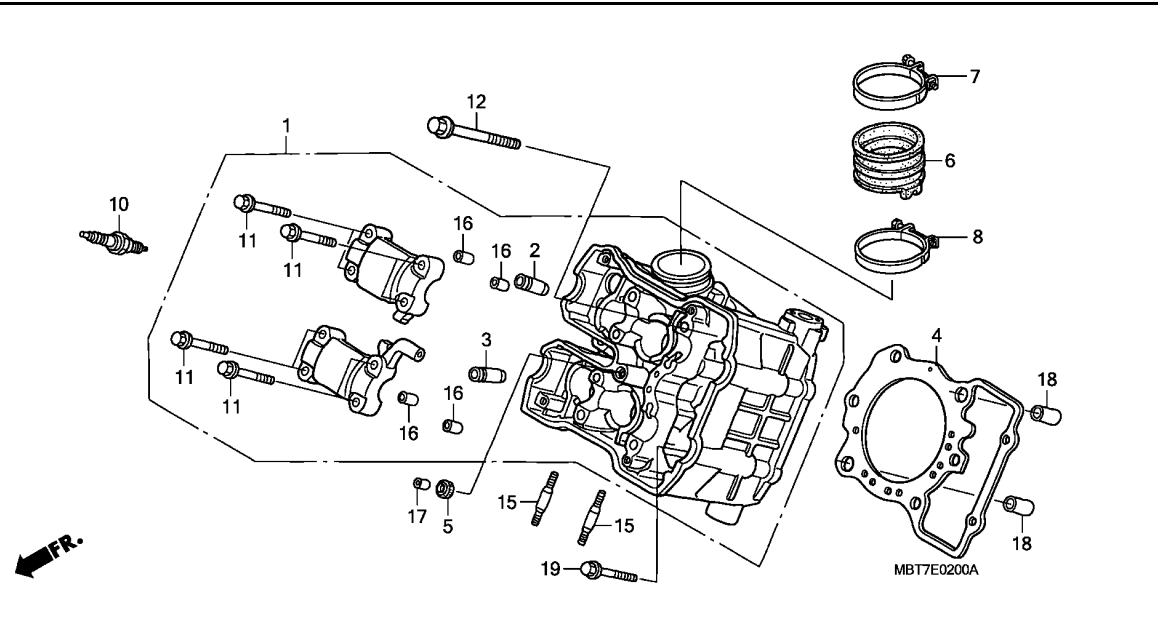
Ref. No.	Part No.	Description	Reqd. QTY						Serial No.	Parts catalogue code
			XL1000V			XL1000VA				
			7	8	9	7	8	9		
1	12310-MBT-C40	COVER ASSY., FR. CYLINDER HEAD	1	1	1	1	1	1		
2	12320-MBT-C40	COVER ASSY., RR. CYLINDER HEAD	1	1	1	1	1	1		
3	12391-MBB-000	GASKET, HEAD COVER .....	2	2	2	2	2	2		
4	18601-MCF-003	VALVE COMP., REED .....	2	2	2	2	2	2		
5	18612-MBB-630	COVER, REED VALVE .....	2	2	2	2	2	2		
6	90002-MY5-850	BOLT, HEAD COVER .....	8	8	8	8	8	8		
7	90003-892-000	BOLT, FLANGE, 5X12 .....	4	4	4	4	4	4		
8	90543-MV9-670	RUBBER, MOUNTING .....	8	8	8	8	8	8		

2



Ref. No.	L.O.N.	(Relative ref. Number) Description	F.R.T.
1	1111A2	HEAD, CYLINDER :FRONT ..... .INCLUDES: Valve adjust and reface	5.2
	1111A4	HEAD, CYLINDER :BOTH ..... .INCLUDES: Valve adjust and reface	7.7
2	1111M1	GUIDE, INTAKE VALVE(ONE) :FRONT CYLINDER ..... .INCLUDES: Reaming .INCLUDES: Valve adjust and reface	4.8
	1111M1A	.Replace all intake valve guide add .....	0.3
	1111M1B	.Replace all intake and exhaust valve guide add .....	0.9
	1111M9	GUIDE, VALVE :FOR 1 VEHICLE .. .INCLUDES: Reaming .INCLUDES: Valve adjust and reface	8.7
3	1111M2	GUIDE, EXHAUST VALVE(ONE) :FRONT CYLINDER ..... .INCLUDES: Reaming .INCLUDES: Valve adjust and reface	4.8

Ref. No.	Part No.	Description	Reqd. QTY						Serial No.	Parts catalogue code
			XL1000V			XL1000VA				
			7	8	9	7	8	9		
1	12010-MBT-C40	HEAD ASSY., FR. CYLINDER ....	1	1	1	1	1	1		
2	12204-MBB-305	GUIDE, IN. VALVE (O.S.) .....	2	2	2	2	2	2		
3	12205-MBB-305	GUIDE, EX. VALVE (O.S.) .....	2	2	2	2	2	2		
4	12251-MBT-F41	GASKET, CYLINDER HEAD .....	1	1	1	1	1	1		
5	12395-MAT-750	GASKET B, CYLINDER HEAD COVER	1	1	1	1	1	1		
6	16211-MBT-F20	INSULATOR, THROTTLE BODY ....	1	1	1	1	1	1		
7	16218-MCA-000	BAND, INSULATOR .....	1	1	1	1	1	1		
8	16219-MBB-000	BAND, INSULATOR .....	1	1	1	1	1	1		
10	31911-MBT-F21	PLUG, SPARK (IJR8B9) .....	1	1	1	1	1	1		
11	90002-MBB-000	BOLT, FLANGE, 7X45 .....	8	8	8	8	8	8		
12	90004-MBB-000	BOLT, FLANGE, 10X97 .....	6	6	6	6	6	6		
15	90035-MM5-000	BOLT, STUD, 8X24 .....	2	2	2	2	2	2		
16	90701-MR7-000	DOWEL PIN, 9X14 .....	4	4	4	4	4	4		
17	94301-10160	DOWEL PIN, 10X16 .....	1	1	1	1	1	1		
18	94301-12200	DOWEL PIN, 12X20 .....	2	2	2	2	2	2		
19	95701-06060-00	BOLT, FLANGE, 6X60 .....	2	2	2	2	2	2		



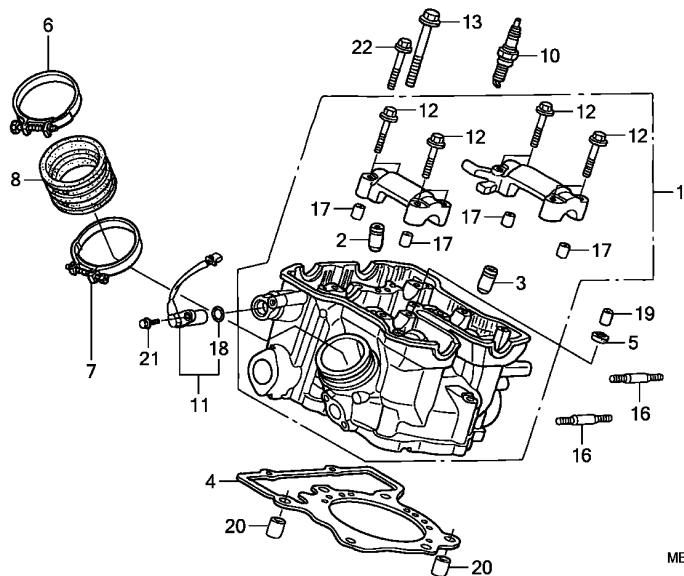
Ref. No.	L.O.N.	(Relative ref. Number) Description	F.R.T.
+ 3	1111M2A	.Replace all exhaust valve guide add .....	0.3
	1111M2B	.Replace all intake and exhaust valve guide add .....	0.9
	1111M9	GUIDE, VALVE :FOR 1 VEHICLE .. .INCLUDES: Reaming .INCLUDES: Valve adjust and reface	8.7
4	1111C1	GASKET, CYLINDER HEAD :FRONT ..	3.9
	1111C3	GASKET, CYLINDER HEAD :BOTH ..	5.1
6	3111E5	INSULATOR, THROTTLE BODY/ CARBURETOR :FRONT .....	1.2
		.NOTE: Same time for two units	
10	6141A8	PLUG, SPARK :FRONT .....	0.1
	6141B2	PLUG, SPARK :FOR 1 VEHICLE ...	0.5



E-2-1

REAR CYLINDER HEAD

D 4

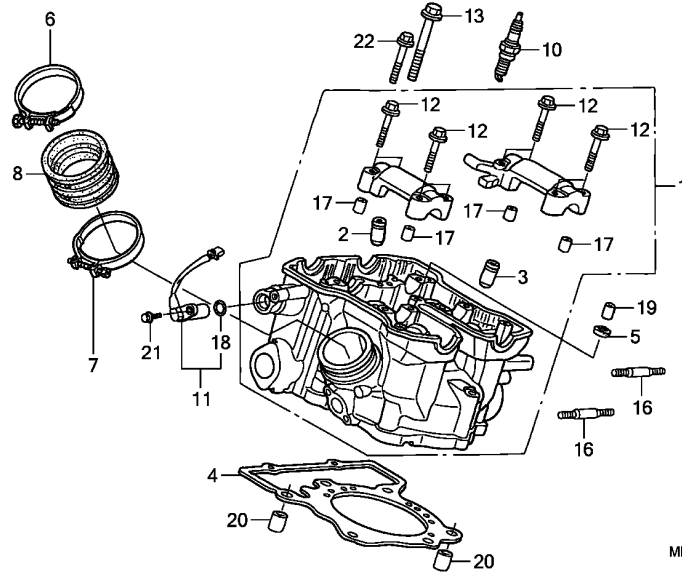


MBT7E0201A

Ref. No.	L.O.N.	(Relative ref. Number) Description	F.R.T.
1	1111A3	HEAD, CYLINDER :REAR ..... .INCLUDES: Valve adjust and reface	4.5
	1111A4	HEAD, CYLINDER :BOTH ..... .INCLUDES: Valve adjust and reface	7.7
2	1111M3	GUIDE, INTAKE VALVE(ONE) :REAR CYLINDER ..... .INCLUDES: Reaming .INCLUDES: Valve adjust and reface	4.1
	1111M3A	.Replace all intake valve guide add .....	0.3
	1111M3B	.Replace all intake and exhaust valve guide add .....	0.9
	1111M9	GUIDE, VALVE :FOR 1 VEHICLE .. .INCLUDES: Reaming .INCLUDES: Valve adjust and reface	8.7
3	1111M4	GUIDE, EXHAUST VALVE(ONE) :REAR CYLINDER ..... .INCLUDES: Reaming .INCLUDES: Valve adjust and reface	4.1

Ref. No.	Part No.	Description	Reqd. QTY						Serial No.	Parts catalogue code
			XL1000V			XL1000VA				
			7	8	9	7	8	9		
1	12020-MBT-C40	HEAD ASSY., RR. CYLINDER ....	1	1	1	1	1	1		
2	12204-MBB-305	GUIDE, IN. VALVE (O.S.) .....	2	2	2	2	2	2		
3	12205-MBB-305	GUIDE, EX. VALVE (O.S.) .....	2	2	2	2	2	2		
4	12251-MBT-F41	GASKET, CYLINDER HEAD .....	1	1	1	1	1	1		
5	12395-MAT-750	GASKET B, CYLINDER HEAD COVER	1	1	1	1	1	1		
6	16218-MCA-000	BAND, INSULATOR .....	1	1	1	1	1	1		
7	16219-MBB-000	BAND, INSULATOR .....	1	1	1	1	1	1		
8	16221-MBT-F20	INSULATOR, THROTTLE BODY ....	1	1	1	1	1	1		
10	31911-MBT-F21	PLUG, SPARK (1JR8B9) .....	1	1	1	1	1	1		
11	36140-MBT-F21	PULSER ASSY., CAM .....	1	1	1	1	1	1		
12	90002-MBB-000	BOLT, FLANGE, 7X45 .....	8	8	8	8	8	8		
13	90004-MBB-000	BOLT, FLANGE, 10X97 .....	6	6	6	6	6	6		
16	90035-MM5-000	BOLT, STUD, 8X24 .....	2	2	2	2	2	2		
17	90701-MR7-000	DOWEL PIN, 9X14 .....	4	4	4	4	4	4		
18	91309-PX4-003	O-RING, 16X2.1(NOK) .....	1	1	1	1	1	1		
19	94301-10160	DOWEL PIN, 10X16 .....	1	1	1	1	1	1		
20	94301-12200	DOWEL PIN, 12X20 .....	2	2	2	2	2	2		
21	95701-06018-07	BOLT, FLANGE, 6X18 .....	1	1	1	1	1	1		
22	95701-06060-00	BOLT, FLANGE, 6X60 .....	2	2	2	2	2	2		

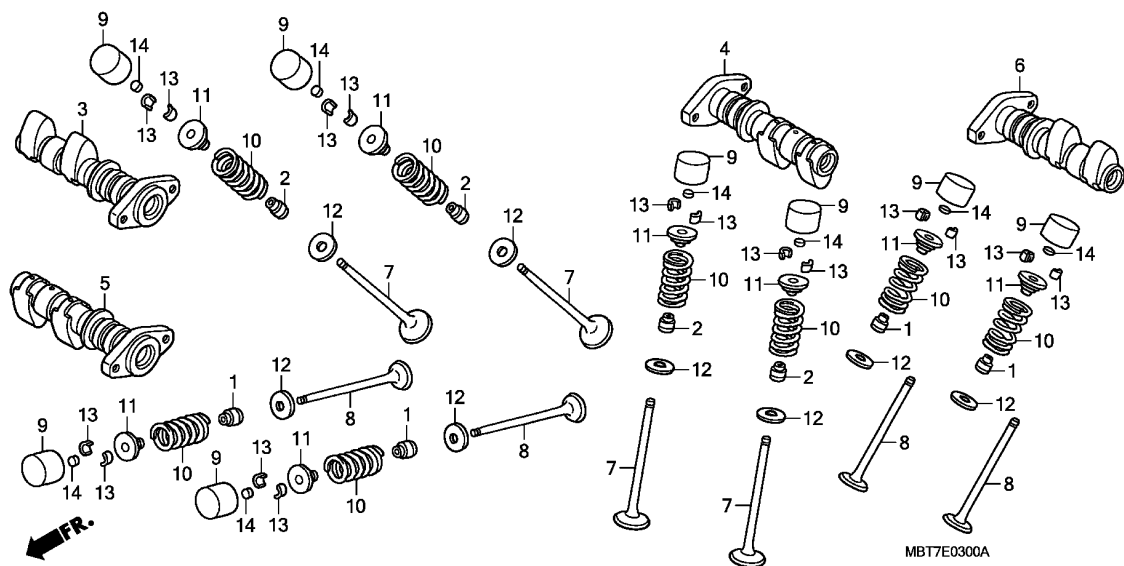
2



Ref. No.	L.O.N.	(Relative ref. Number) Description	F.R.T.
+ 3	1111M4A	.Replace all exhaust valve guide add .....	0.3
	1111M4B	.Replace all intake and exhaust valve guide add .....	0.9
	1111M9	GUIDE, VALVE :FOR 1 VEHICLE .. .INCLUDES: Reaming .INCLUDES: Valve adjust and reface	8.7
4	1111C2	GASKET, CYLINDER HEAD :REAR ..	3.2
	1111C3	GASKET, CYLINDER HEAD :BOTH ..	5.1
8	3111E6	INSULATOR, THROTTLE BODY/ CARBURETOR :REAR .....	1.2
		.NOTE: Same time for two units	
10	6141A9	PLUG, SPARK :REAR .....	0.4
	6141B2	PLUG, SPARK :FOR 1 VEHICLE ...	0.5
11	614117	GENERATOR, CAM PULSE .....	0.8

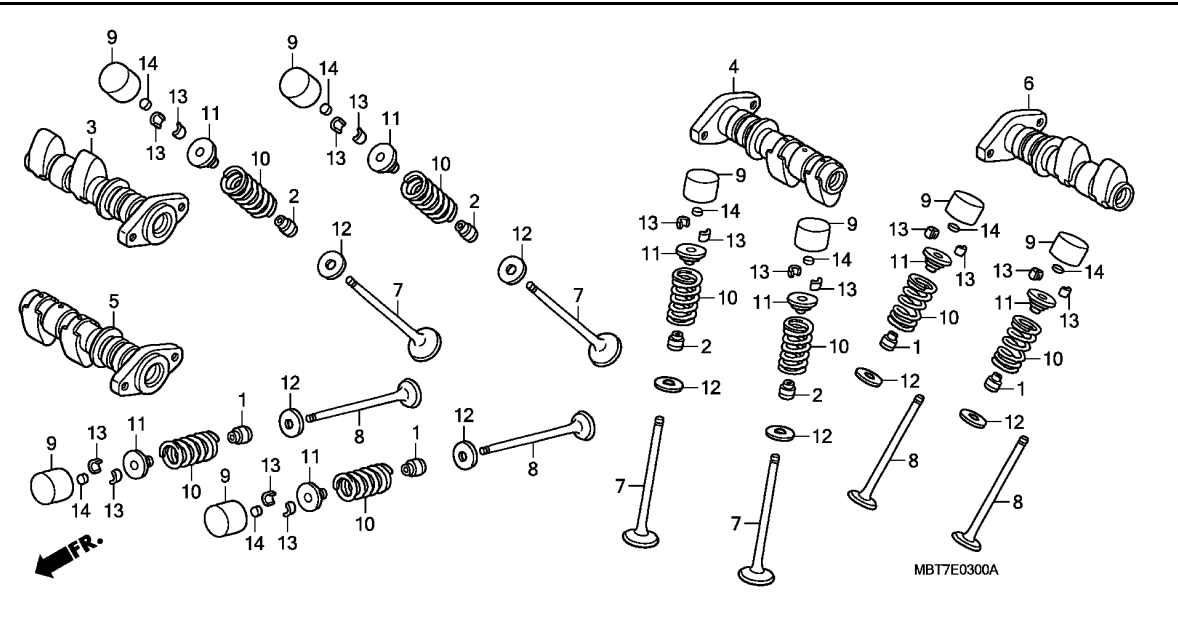






Ref. No.	L.O.N.	(Relative ref. Number) Description	F.R.T.
3	1111Q6	CAMSHAFT :FRONT INTAKE ..... .INCLUDES: Valve clearance adjustment	2.4
	1111Q6A	.Replace front exhaust camshaft add .....	0.3
4	1111Q8	CAMSHAFT :REAR INTAKE ..... .INCLUDES: Valve clearance adjustment	1.7
	1111Q8A	.Replace rear exhaust camshaft add .....	0.3
5	1111Q7	CAMSHAFT :FRONT EXHAUST ..... .INCLUDES: Valve clearance adjustment	2.4
	1111Q7A	.Replace front intake camshaft add .....	0.3
6	1111Q9	CAMSHAFT :REAR EXHAUST ..... .INCLUDES: Valve clearance adjustment	1.7
	1111Q9A	.Replace rear intake camshaft add .....	0.3
	1111T4	CAMSHAFT :FOR 1 VEHICLE ..... .INCLUDES: Valve clearance adjustment	4.2
7	1111N2	VALVE, INTAKE(ONE) :FRONT CYLINDER .....	4.3

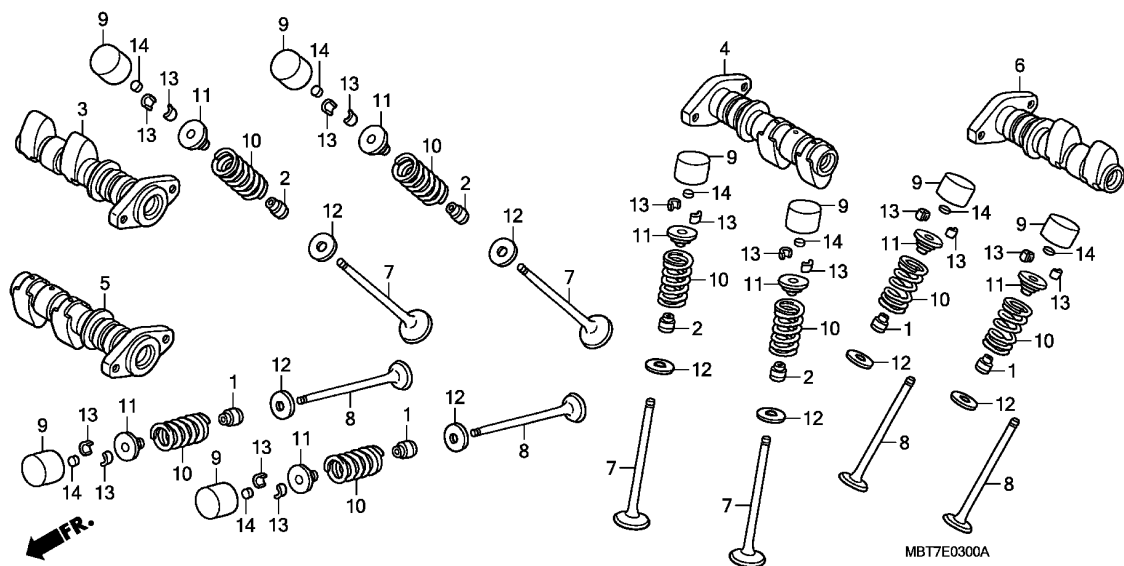
Ref. No.	Part No.	Description	Reqd. QTY						Serial No.	Parts catalogue code
			XL1000V			XL1000VA				
			7	8	9	7	8	9		
1	12208-MBB-003	SEAL, EX. VALVE STEM .....	4	4	4	4	4	4		
2	12209-MBB-003	SEAL, VALVE STEM .....	4	4	4	4	4	4		
3	14110-MBT-000	CAMSHAFT COMP., FR. IN. ....	1	1	1	1	1	1		
4	14120-MBT-000	CAMSHAFT COMP., RR. IN. ....	1	1	1	1	1	1		
5	14130-MBT-000	CAMSHAFT COMP., FR. EX. ....	1	1	1	1	1	1		
6	14140-MBT-000	CAMSHAFT COMP., RR. EX. ....	1	1	1	1	1	1		
7	14711-MBB-000	VALVE, IN. ....	4	4	4	4	4	4		
8	14721-MBB-000	VALVE, EX. ....	4	4	4	4	4	4		
9	14731-MBB-000	LIFTER, VALVE .....	8	8	8	8	8	8		
10	14751-MBT-000	SPRING, VALVE .....	8	8	8	8	8	8		
11	14771-MBB-000	RETAINER, VALVE SPRING .....	8	8	8	8	8	8		
12	14775-MBT-000	SEAT, VALVE SPRING .....	8	8	8	8	8	8		
13	14781-MBB-003	COTTER, VALVE .....	16	16	16	16	16	16		
14	14901-MBB-000	SHIM, TAPPET (1.20) .....	8	8	8	8	8	8		
	14902-MBB-000	SHIM, TAPPET (1.225) .....	8	8	8	8	8	8		
	14903-MBB-000	SHIM, TAPPET (1.250) .....	8	8	8	8	8	8		
	14904-MBB-000	SHIM, TAPPET (1.275) .....	8	8	8	8	8	8		
	14905-MBB-000	SHIM, TAPPET (1.30) .....	8	8	8	8	8	8		
	14906-MBB-000	SHIM, TAPPET (1.325) .....	8	8	8	8	8	8		
	14907-MBB-000	SHIM, TAPPET (1.350) .....	8	8	8	8	8	8		
	14908-MBB-000	SHIM, TAPPET (1.375) .....	8	8	8	8	8	8		
	14909-MBB-000	SHIM, TAPPET (1.40) .....	8	8	8	8	8	8		
	14910-MBB-000	SHIM, TAPPET (1.425) .....	8	8	8	8	8	8		
	14911-MBB-000	SHIM, TAPPET (1.450) .....	8	8	8	8	8	8		
	14912-MBB-000	SHIM, TAPPET (1.475) .....	8	8	8	8	8	8		
	14913-MBB-000	SHIM, TAPPET (1.50) .....	8	8	8	8	8	8		
	14914-MBB-000	SHIM, TAPPET (1.525) .....	8	8	8	8	8	8		



Ref. No.	L.O.N.	(Relative ref. Number) Description	F.R.T.
+ 7		.INCLUDES: Refacing	
1111N2A		.Replace all intake valve add	0.2
1111N2B		.Replace all intake and exhaust valve add	0.6
1111N4		VALVE, INTAKE(ONE) :REAR CYLINDER	3.6
		.INCLUDES: Refacing	
1111N4A		.Replace all intake valve add	0.2
1111N4B		.Replace all intake and exhaust valve add	0.6
8 1111N3		VALVE, EXHAUST(ONE) :FRONT CYLINDER	4.3
		.INCLUDES: Refacing	
1111N3A		.Replace all exhaust valve add	0.2
1111N3B		.Replace all intake and exhaust valve add	0.6
1111N5		VALVE, EXHAUST(ONE) :REAR CYLINDER	3.6
		.INCLUDES: Refacing	
1111N5A		.Replace all exhaust valve add	0.2
1111N5B		.Replace all intake and exhaust valve add	0.6
1111P0		VALVE :FOR 1 VEHICLE .INCLUDES: Refacing	7.1

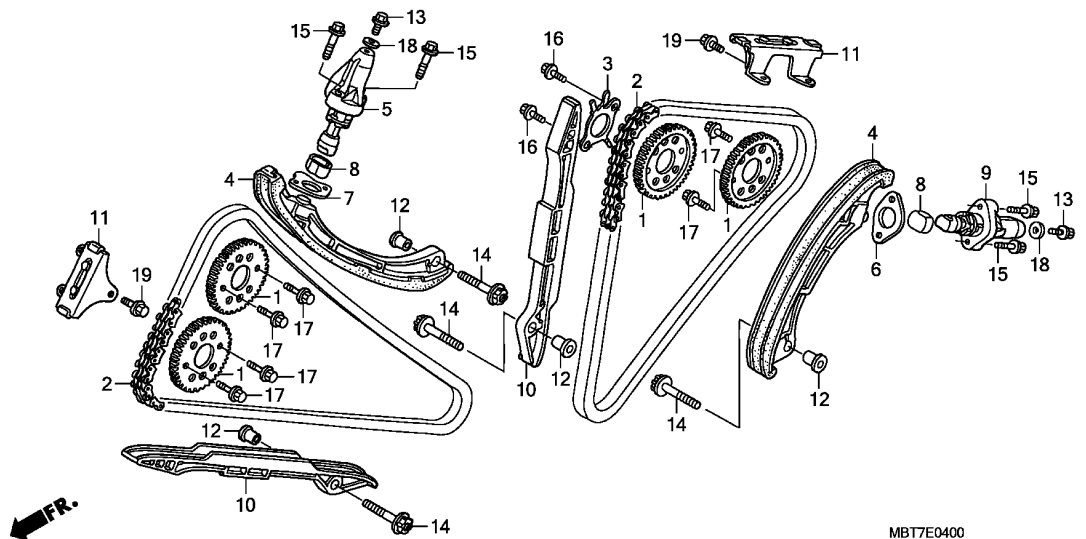
Ref. No.	Part No.	Description	Reqd. QTY						Serial No.	Parts catalogue code
			XL1000V			XL1000VA				
			7	8	9	7	8	9		
14)	14915-MBB-000	SHIM, TAPPET (1.550)	8	8	8	8	8	8		
	14916-MBB-000	SHIM, TAPPET (1.575)	8	8	8	8	8	8		
	14917-MBB-000	SHIM, TAPPET (1.60)	8	8	8	8	8	8		
	14918-MBB-000	SHIM, TAPPET (1.625)	8	8	8	8	8	8		
	14919-MBB-000	SHIM, TAPPET (1.650)	8	8	8	8	8	8		
	14920-MBB-000	SHIM, TAPPET (1.675)	8	8	8	8	8	8		
	14921-MBB-000	SHIM, TAPPET (1.70)	8	8	8	8	8	8		
	14922-MBB-000	SHIM, TAPPET (1.725)	8	8	8	8	8	8		
	14923-MBB-000	SHIM, TAPPET (1.750)	8	8	8	8	8	8		
	14924-MBB-000	SHIM, TAPPET (1.775)	8	8	8	8	8	8		
	14925-MBB-000	SHIM, TAPPET (1.80)	8	8	8	8	8	8		
	14926-MBB-000	SHIM, TAPPET (1.825)	8	8	8	8	8	8		
	14927-MBB-000	SHIM, TAPPET (1.850)	8	8	8	8	8	8		
	14928-MBB-000	SHIM, TAPPET (1.875)	8	8	8	8	8	8		
	14929-MBB-000	SHIM, TAPPET (1.90)	8	8	8	8	8	8		
	14930-MBB-000	SHIM, TAPPET (1.925)	8	8	8	8	8	8		
	14931-MBB-000	SHIM, TAPPET (1.950)	8	8	8	8	8	8		
	14932-MBB-000	SHIM, TAPPET (1.975)	8	8	8	8	8	8		
	14933-MBB-000	SHIM, TAPPET (2.00)	8	8	8	8	8	8		
	14934-MBB-000	SHIM, TAPPET (2.025)	8	8	8	8	8	8		
	14935-MBB-000	SHIM, TAPPET (2.050)	8	8	8	8	8	8		
	14936-MBB-000	SHIM, TAPPET (2.075)	8	8	8	8	8	8		
	14937-MBB-000	SHIM, TAPPET (2.10)	8	8	8	8	8	8		
	14938-MBB-000	SHIM, TAPPET (2.125)	8	8	8	8	8	8		
	14939-MBB-000	SHIM, TAPPET (2.150)	8	8	8	8	8	8		
	14940-MBB-000	SHIM, TAPPET (2.175)	8	8	8	8	8	8		
	14941-MBB-000	SHIM, TAPPET (2.20)	8	8	8	8	8	8		
	14942-MBB-000	SHIM, TAPPET (2.225)	8	8	8	8	8	8		
	14943-MBB-000	SHIM, TAPPET (2.250)	8	8	8	8	8	8		





Ref. No.	L.O.N.	(Relative ref. Number) Description	F.R.T.
10		(1,2,11,12,13)	
1111P4		SPRING AND/OR STEM SEAL, INTAKE VALVE(ONE) :FRONT CYLINDER .....	4.1
1111P4A		.Replace all intake spring add .....	0.1
1111P5		SPRING AND/OR STEM SEAL, EXHAUST VALVE(ONE) :FRONT CYLINDER .....	4.1
1111P5A		.Replace all exhaust spring add .....	0.1
1111P5B		.Replace all intake and exhaust spring add .....	0.3
1111P6		SPRING AND/OR STEM SEAL, INTAKE VALVE(ONE) :REAR CYLINDER .....	3.4
1111P6A		.Replace all intake spring add .....	0.1
1111P7		SPRING AND/OR STEM SEAL, EXHAUST VALVE(ONE) :REAR CYLINDER .....	3.4
1111P7A		.Replace all exhaust spring add .....	0.1
1111P7B		.Replace all intake and exhaust spring add .....	0.3
1111Q2		SPRING AND/OR STEM SEAL, VALVE :FOR 1 VEHICLE .....	6.1

Ref. No.	Part No.	Description	Reqd. QTY						Serial No.	Parts catalogue code
			XL1000V			XL1000VA				
			7	8	9	7	8	9		
14)	14944-MBB-000	SHIM, TAPPET (2.275) .....	8	8	8	8	8	8		
	14945-MBB-000	SHIM, TAPPET (2.30) .....	8	8	8	8	8	8		
	14946-MBB-000	SHIM, TAPPET (2.325) .....	8	8	8	8	8	8		
	14947-MBB-000	SHIM, TAPPET (2.350) .....	8	8	8	8	8	8		
	14948-MBB-000	SHIM, TAPPET (2.375) .....	8	8	8	8	8	8		
	14949-MBB-000	SHIM, TAPPET (2.40) .....	8	8	8	8	8	8		
	14950-MBB-000	SHIM, TAPPET (2.425) .....	8	8	8	8	8	8		
	14951-MBB-000	SHIM, TAPPET (2.450) .....	8	8	8	8	8	8		



Ref. No.	L.O.N.	(Relative ref. Number) Description	F.R.T.
1	1111F5	SPROCKET, CAM :FRONT .....	1.9
	1111F5A	.Replace 1 cam sprocket add ..	0.1
	1111F6	SPROCKET, CAM :REAR .....	1.2
	1111F6A	.Replace 1 cam sprocket add ..	0.1
	1111F9	SPROCKET, CAM :FOR 1 VEHICLE ..	2.6
2	1101D1	CHAIN, CAM :FRONT .....	2.5
	1101D2	CHAIN, CAM :REAR .....	2.7
	1101D3	CHAIN, CAM :BOTH .....	4.6
4	1111R0	TENSIONER, CAM CHAIN :FRONT ..	2.5
	1111R1	TENSIONER, CAM CHAIN :REAR ...	2.7
	1111X8	TENSIONER, CAM CHAIN :BOTH ...	4.6
5		(7)	
	1111R2	LIFTER, TENSIONER :FRONT .....	1.1
9		(6)	
	1111R3	LIFTER, TENSIONER :REAR .....	0.2
10	1111H7	GUIDE, CAM CHAIN :FRONT .....	2.5
	1111H8	GUIDE, CAM CHAIN :REAR .....	2.7
	1111H9	GUIDE, CAM CHAIN :BOTH .....	4.6
11	1111H2	GUIDE B, CAM CHAIN :FRONT .....	1.1
	1111H3	GUIDE B, CAM CHAIN :REAR .....	1.0
	1111H4	GUIDE B, CAM CHAIN :BOTH .....	1.8

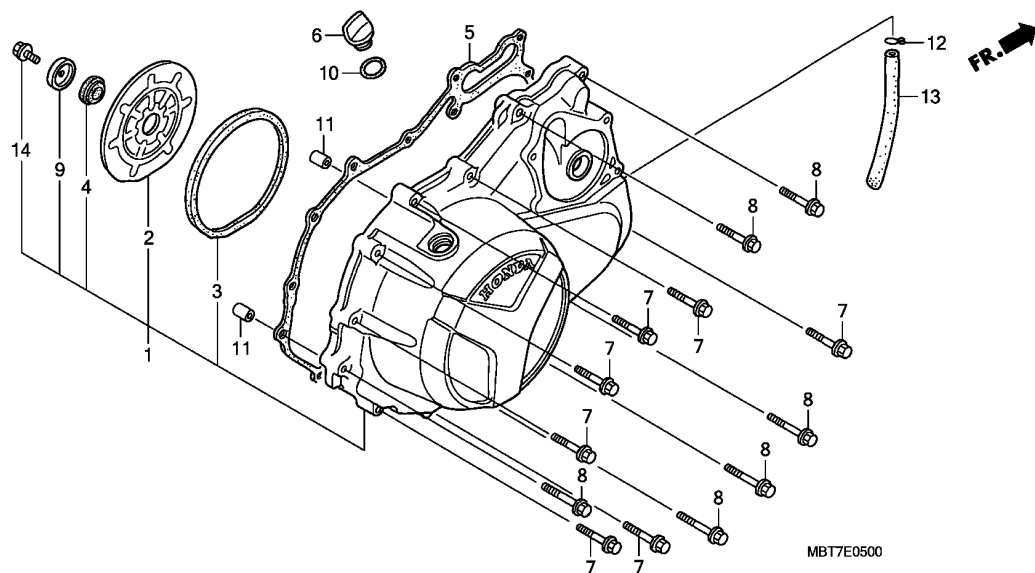


Ref. No.	Part No.	Description	Reqd. QTY						Serial No.	Parts catalogue code
			XL1000V			XL1000VA				
			7	8	9	7	8	9		
1	14321-MBT-F20	SPROCKET, CAM (42T) .....	4	4	4	4	4	4		
2	14401-MBB-003	CHAIN, CAM (152L) .....	2	2	2	2	2	2		
3	14405-MBT-F20	ROTOR, CAM PULSE .....	1	1	1	1	1	1		
4	14510-MBB-003	TENSIONER ASSY., CAM CHAIN ..	2	2	2	2	2	2		
5	14520-MBT-F20	LIFTER ASSY., TENSIONER .....	1	1	-	1	1	-	-----	2809364
	14520-MBT-F21	.....	1	1	-	1	1	-	2809365	
		.....	-	-	1	-	-	1		
6	14523-MAL-A00	GASKET, TENSIONER HOLE .....	1	1	1	1	1	1		
7	14523-MCW-003	GASKET, TENSIONER HOLE .....	1	1	1	1	1	1		
8	14524-MBB-000	CAP, LIFTER PAT .....	2	2	2	2	2	2		
9	14530-MBT-F20	LIFTER ASSY., TENSIONER .....	1	1	-	1	1	-	-----	2809364
	14530-MBT-F21	.....	1	1	-	1	1	-	2809365	
		.....	-	-	1	-	-	1		
10	14610-MBT-F21	GUIDE A, CAM CHAIN .....	2	2	2	2	2	2		
11	14620-MBB-000	GUIDE B, CAM CHAIN .....	2	2	2	2	2	2		
12	14626-MBB-000	COLLAR, 8MM .....	4	4	4	4	4	4		
13	90004-GHB-600	BOLT, FLANGE, 6X10(NSHF) .....	2	2	2	2	2	2		
14	90008-MBT-000	BOLT, SPECIAL, 8MM .....	4	4	4	4	4	4		
15	90010-GHB-670	BOLT, FLANGE, 6X25 .....	4	4	4	4	4	4		
16	90026-MM8-000	BOLT, UBS, 7X15 .....	2	2	2	2	2	2		
17	90082-HA0-000	BOLT, FLANGE KNOCK, 7X10.5 ..	6	6	6	6	6	6		
18	90442-397-000	WASHER, SEALING, 6MM .....	2	2	2	2	2	2		
19	95701-06014-00	BOLT, FLANGE, 6X14 .....	2	2	2	2	2	2		

E-5

RIGHT CRANKCASE COVER

D10



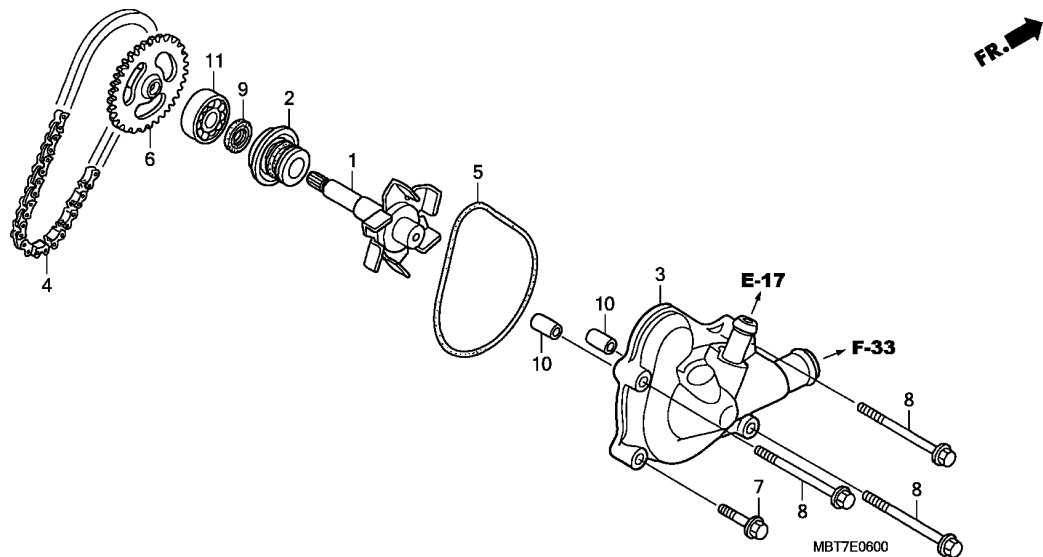
Ref. No.	L.O.N.	(Relative ref. Number) Description	F.R.T.
1	110159	COVER, CRANKCASE :RIGHT .....	1.5
2	1101H0	PLATE, CRANKCASE COVER :RIGHT	1.2
5	110158	GASKET, CRANKCASE COVER :RIGHT	1.2

Ref. No.	Part No.	Description	Reqd. QTY						Serial No.	Parts catalogue code
			XL1000V			XL1000VA				
			7	8	9	7	8	9		
1	11330-MBT-C40	COVER COMP., R. ....	1	1	1	1	1	1		
2	11333-MBB-300	PLATE, R. COVER .....	1	1	1	1	1	1		
3	11334-ML7-300	RUBBER B, R. COVER DAMPER ...	1	1	1	1	1	1		
4	11335-ML7-300	RUBBER A, R. COVER DAMPER ...	1	1	1	1	1	1		
5	11394-MBT-000	GASKET, R. COVER .....	1	1	1	1	1	1		
6	15611-KA4-710	CAP, OIL FILLER .....	1	1	1	1	1	1		
7	90006-GHB-690	BOLT, FLANGE, 6X32(NSHF) ....	7	7	7	7	7	7		
8	90006-GHB-710	BOLT, FLANGE, 6X40(NSHF) ....	6	6	6	6	6	6		
9	90406-ML7-000	WASHER, SPECIAL, 6MM .....	1	1	1	1	1	1		
10	91307-KFO-003	O-RING, 18X3(ARAI) .....	1	1	1	1	1	1		
11	94301-08140	DOWEL PIN, 8X14 .....	2	2	2	2	2	2		
12	95002-02080	CLIP, TUBE (B8) .....	1	1	1	1	1	1		
13	95005-45550-10	TUBE, FUEL, 4.5X550 (95005-45001-10M)	1	1	1	1	1	1		
14	95701-06010-00	BOLT, FLANGE, 6X10 .....	1	1	1	1	1	1		

E-6

WATER PUMP

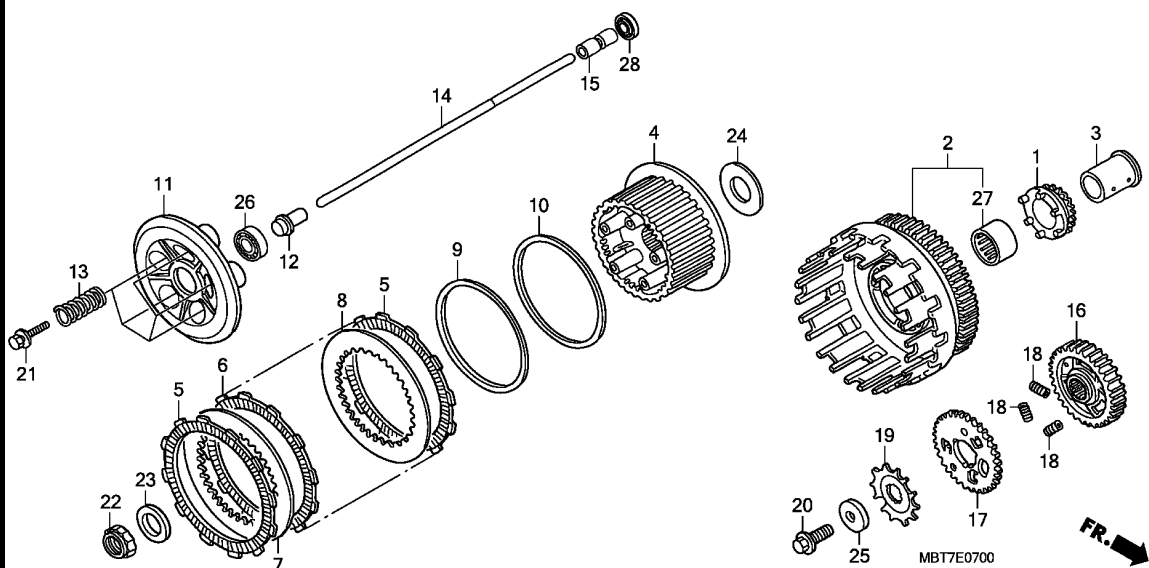
D11



Ref. No.	L.O.N.	(Relative ref. Number) Description	F.R.T.
1	114105	IMPELLER, WATER PUMP .....	1.5
2	114110	MECHANICAL SEAL, WATER PUMP ..	1.6
3	1141B0	COVER, WATER PUMP .....	1.0
4	1141B2	CHAIN, WATER(OIL) PUMP DRIVE ..	1.7
5	1141B1	GASKET, WATER PUMP COVER .....	0.9
6	114142	SPROCKET OR GEAR, WATER PUMP DRIVEN .....	1.3
9	1141D1	OIL SEAL, IMPELLER SHAFT .....	1.5
11	1141F3	BEARING, WATER PUMP :COVER SIDE .....	1.5

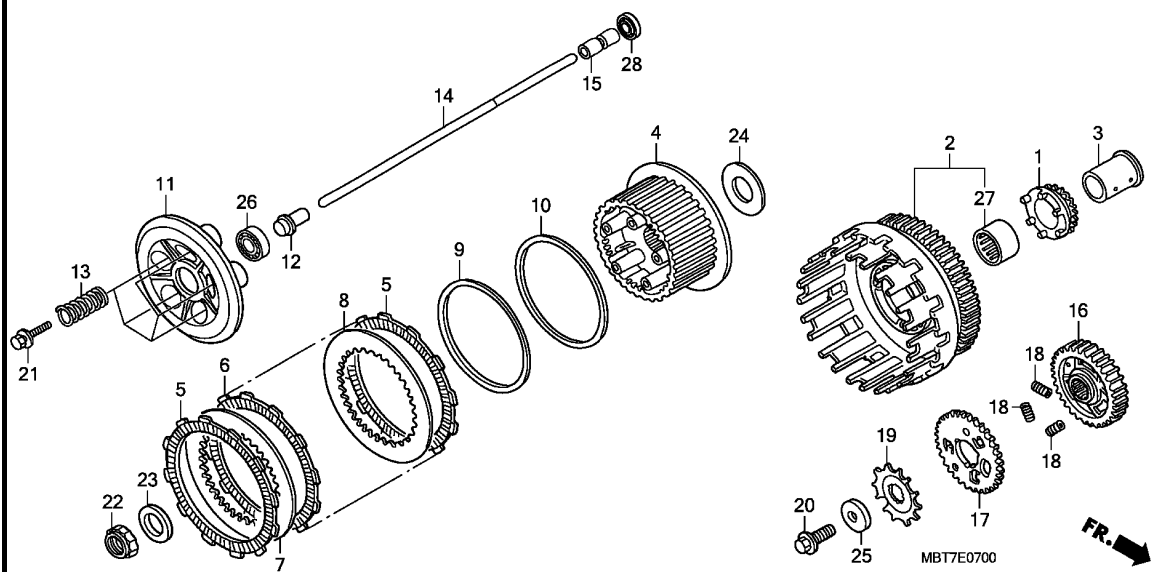
Ref. No.	Part No.	Description	Reqd. QTY						Serial No.	Parts catalogue code
			XL1000V			XL1000VA				
			7	8	9	7	8	9		
1	19210-MBB-000	IMPELLER COMP., WATER PUMP ..	1	1	1	1	1	1		
2	19217-MAL-300	SEAL, MECHANICAL .....	1	1	1	1	1	1		
3	19220-MBT-C40	COVER COMP., WATER PUMP .....	1	1	1	1	1	1		
4	19225-MBB-003	CHAIN, WATER PUMP DRIVE (48L)	1	1	1	1	1	1		
5	19226-MBB-000	GASKET, WATER PUMP COVER .....	1	1	1	1	1	1		
6	19230-MBB-000	SPROCKET, WATER PUMP DRIVEN (31T)	1	1	1	1	1	1		
7	90006-GHB-680	BOLT, FLANGE, 6X28(NSHF) .....	1	1	1	1	1	1		
8	90006-GHB-760	BOLT, FLANGE, 6X65(NSHF) .....	3	3	3	3	3	3		
9	91201-148-003	OIL SEAL, 12X22X5(ARAI) .....	1	1	1	1	1	1		
10	94301-08140	DOWEL PIN, 8X14 .....	2	2	2	2	2	2		
11	96100-62003-00	BEARING, RADIAL BALL, 6200 ..	1	1	1	1	1	1		

2



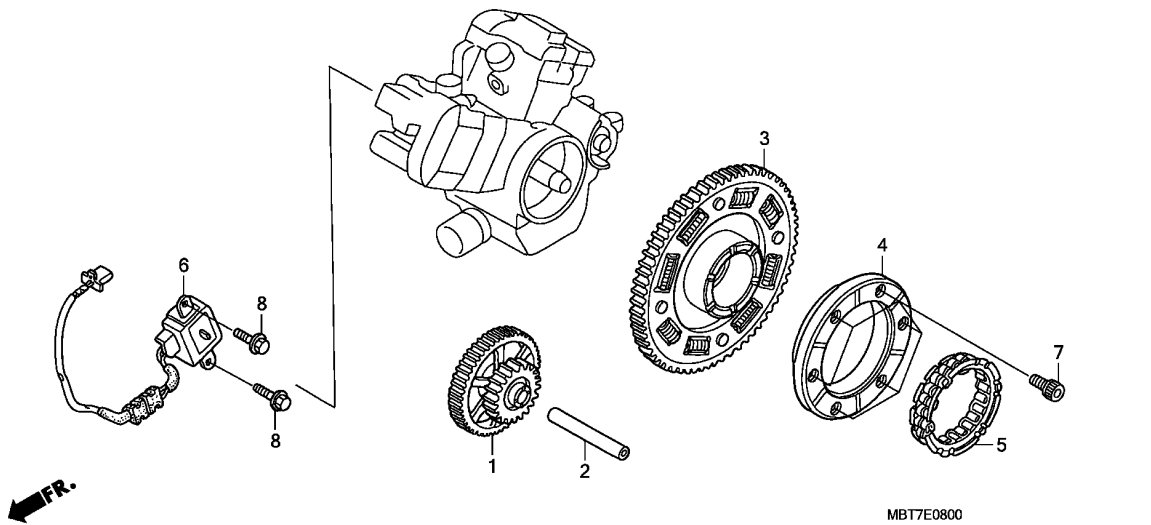
Ref. No.	L.O.N.	(Relative ref. Number) Description	F.R.T.
1	1131A2	SPROCKET, OIL PUMP DRIVE .....	1.7
2	2121A0	OUTER, CLUTCH .....	1.6
4	212112	CENTER, CLUTCH .....	1.6
5		(6,8,9,10)	
	2121A1	DISC, CLUTCH FRICTION .....	1.5
		.NOTE: Same time for two units or more	
11	2121A3	PLATE, CLUTCH PRESSURE .....	1.5
12	2121A5	PIECE, CLUTCH JOINT .....	1.4
13	212107	SPRING, CLUTCH .....	1.4
		.NOTE: Same time for two units or more	
14		(15)	
	2121B6	ROD, CLUTCH LIFTER .....	0.1
16		(17,18)	
	211105	GEAR, PRIMARY DRIVE .....	1.8
19	614111	ROTOR, PULSE .....	1.4
26	2121B4	BEARING, CLUTCH LIFTER .....	1.5

Ref. No.	Part No.	Description	Reqd. QTY						Serial No.	Parts catalogue code
			XL1000V			XL1000VA				
			7	8	9	7	8	9		
1	15131-MAS-003	SPROCKET, OIL PUMP DRIVE (25T)	1	1	1	1	1	1		
2	22100-MBT-F20	OUTER COMP., CLUTCH .....	1	1	1	1	1	1		
3	22116-MBT-F20	GUIDE, CLUTCH OUTER .....	1	1	1	1	1	1		
4	22120-MBT-F20	CENTER, CLUTCH .....	1	1	1	1	1	1		
5	22201-MBB-000	DISK, CLUTCH FRICTION .....	2	2	2	2	2	2		
6	22201-MBT-F20	DISK, CLUTCH FRICTION .....	6	6	6	6	6	6		
7	22321-MT3-000	PLATE, CLUTCH .....	6	6	6	6	6	6		
8	22322-MN4-000	PLATE B, CLUTCH (2.0) .....	1	1	1	1	1	1		
9	22325-MN4-000	SPRING, CLUTCH PLATE .....	1	1	1	1	1	1		
10	22326-MV1-000	SEAT, JUDDER SPRING .....	1	1	1	1	1	1		
11	22350-MBT-F20	PLATE, CLUTCH PRESSURE .....	1	1	1	1	1	1		
12	22366-MS2-611	PIECE, CLUTCH JOINT .....	1	1	1	1	1	1		
13	22401-MBT-F20	SPRING, CLUTCH .....	5	5	5	5	5	5		
14	22851-MBT-F20	ROD, CLUTCH LIFTER .....	1	1	1	1	1	1		
15	22852-MLO-780	PIECE, CLUTCH LIFTER ROD .....	1	1	1	1	1	1		
16	23103-MBT-F20	GEAR, PRIMARY DRIVE (44T) ...	1	1	1	1	1	1		
17	23104-MBT-F20	SUB GEAR, PRIMARY (44T) .....	1	1	1	1	1	1		
18	23115-MW4-000	SPRING, PRIMARY DAMPER .....	3	3	3	3	3	3		
19	30291-MBT-F20	ROTOR, PULSE .....	1	1	1	1	1	1		
20	90005-MN5-000	BOLT, FLANGE, 12X30 .....	1	1	1	1	1	1		
21	90022-MBT-000	BOLT-WASHER, 6X32 .....	5	5	5	5	5	5		
22	90231-MBT-F20	NUT, LOCK, 25MM .....	1	1	1	1	1	1		
23	90401-MBB-000	WASHER, 25.1X37X5 .....	1	1	1	1	1	1		
24	90401-MCH-000	WASHER, THRUST, 28.2X56X2 ...	1	1	1	1	1	1		
25	90402-MBB-000	WASHER, 12.5X36X6 .....	1	1	1	1	1	1		



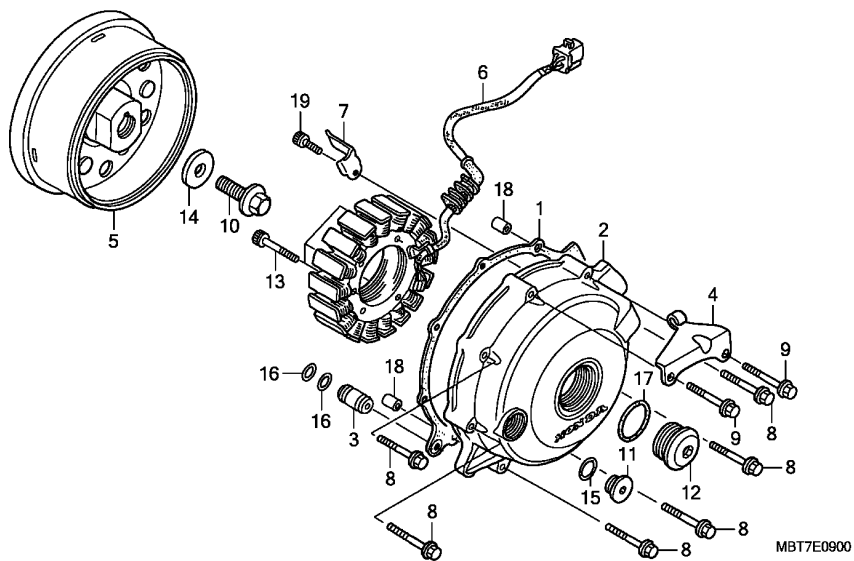
Ref. No.	Part No.	Description	Reqd. QTY						Serial No.	Parts catalogue code
			XL1000V			XL1000VA				
			7	8	9	7	8	9		
26	91009-MAS-003	BEARING, RADIAL BALL, 16003 .	1	1	1	1	1	1		
27	91026-MV9-671	BEARING, NEEDLE, 35X42X23 . . .	1	1	1	1	1	1		
28	91301-MLO-781	X-RING, 10.5X6.5 . . . . .	1	1	1	1	1	1		





Ref. No.	L.O.N.	(Relative ref. Number) Description	F.R.T.
1		(2)	
612125		GEAR, STARTER REDUCTION .....	2.3
3 612120		GEAR, STARTER DRIVEN .....	0.6
5		(4)	
6121A2		CLUTCH, STARTING ONE WAY .....	0.7
6 614110		GENERATOR, IGNITION PULSE ....	1.4

Ref. No.	Part No.	Description	Reqd. QTY						Serial No.	Parts catalogue code
			XL1000V			XL1000VA				
			7	8	9	7	8	9		
1	28100-MBB-000	GEAR COMP., STARTER REDUCTION (76T/20T)	1	1	1	1	1	1		
2	28105-MBB-000	PIN, 10X73 .....	1	1	1	1	1	1		
3	28110-MBB-000	GEAR COMP., STARTING DRIVEN (75T)	1	1	1	1	1	1		
4	28121-MAH-000	OUTER, STARTING CLUTCH .....	1	1	1	1	1	1		
5	28126-MBB-003	CLUTCH, ONE WAY .....	1	1	1	1	1	1		
6	30300-MBT-F20	GENERATOR ASSY., PULSE .....	1	1	1	1	1	1		
7	90010-MAY-000	BOLT, SOCKET, 8MM .....	6	6	6	6	6	6		
8	95701-06014-00	BOLT, FLANGE, 6X14 .....	2	2	2	2	2	2		



Ref. No.	L.O.N.	(Relative ref. Number) Description	F.R.T.
1	1101B2	GASKET, ALTERNATOR COVER .....	0.5
2	1101B1	COVER, ALTERNATOR .....	0.6
5	613105	ROTOR OR FLYWHEEL .....	0.7
6	6131A3	STATOR .....	0.7

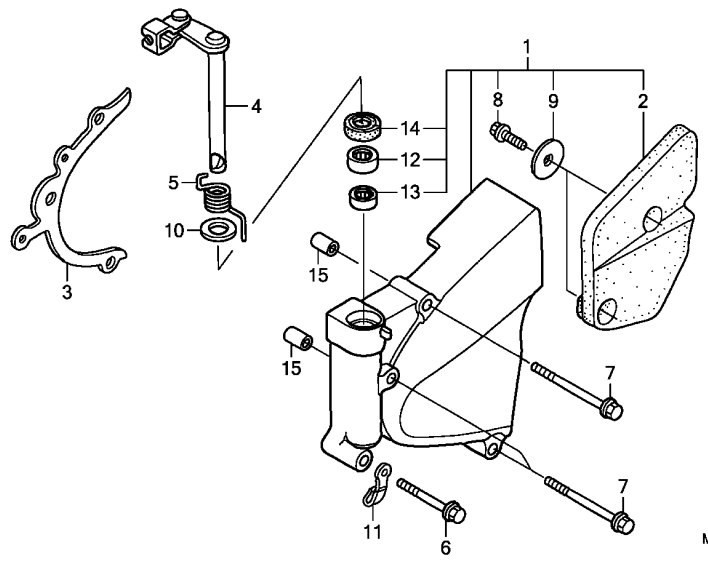
Ref. No.	Part No.	Description	Reqd. QTY						Serial No.	Parts catalogue code
			XL1000V			XL1000VA				
			7	8	9	7	8	9		
1	11636-MBT-F20	GASKET, A.C. GENERATOR COVER	1	1	1	1	1	1		
2	11641-MBT-C40	COVER, A.C. GENERATOR .....	1	1	1	1	1	1		
3	11642-MBT-F20	COLLAR, A.C. GENERATOR COVER	1	1	1	1	1	1		
4	22821-MBT-000	RECEIVER, CLUTCH CABLE .....	1	1	1	1	1	1		
5	31110-MBT-C41	FLYWHEEL COMP. ....	1	1	1	1	1	1		
6	31120-MBT-F21	STATOR COMP. ....	1	1	1	1	1	1		
7	31131-MR7-000	CLAMPER, A.C. GENERATOR CORD	1	1	1	1	1	1		
8	90006-GHB-720	BOLT, FLANGE, 6X45(NSHF) ....	6	6	6	6	6	6		
9	90006-GHB-730	BOLT, FLANGE, 6X50(NSHF) ....	2	2	2	2	2	2		
10	90023-MBT-010	BOLT, FLANGE, 12X45 .....	1	1	1	1	1	1		
11	90084-MN8-010	CAP, 14MM .....	1	1	1	1	1	1		
12	90087-KT7-000	CAP, 30MM .....	1	1	1	1	1	1		
13	90116-375-000	BOLT, SOCKET, 6X38 .....	3	3	3	3	3	3		
14	90402-MBB-000	WASHER, 12.5X36X6 .....	1	1	1	1	1	1		
15	91303-377-000	O-RING, 13.8X2.5 .....	1	1	1	1	1	1		
16	91307-ML7-004	O-RING, 6X2(NOK) .....	2	2	2	2	2	2		
17	91356-425-003	O-RING, 30MM .....	1	1	1	1	1	1		
18	94301-08140	DOWEL PIN, 8X14 .....	2	2	2	2	2	2		
19	96600-06010-00	BOLT, SOCKET, 6X10 .....	1	1	1	1	1	1		



E-10

LEFT CRANKCASE COVER

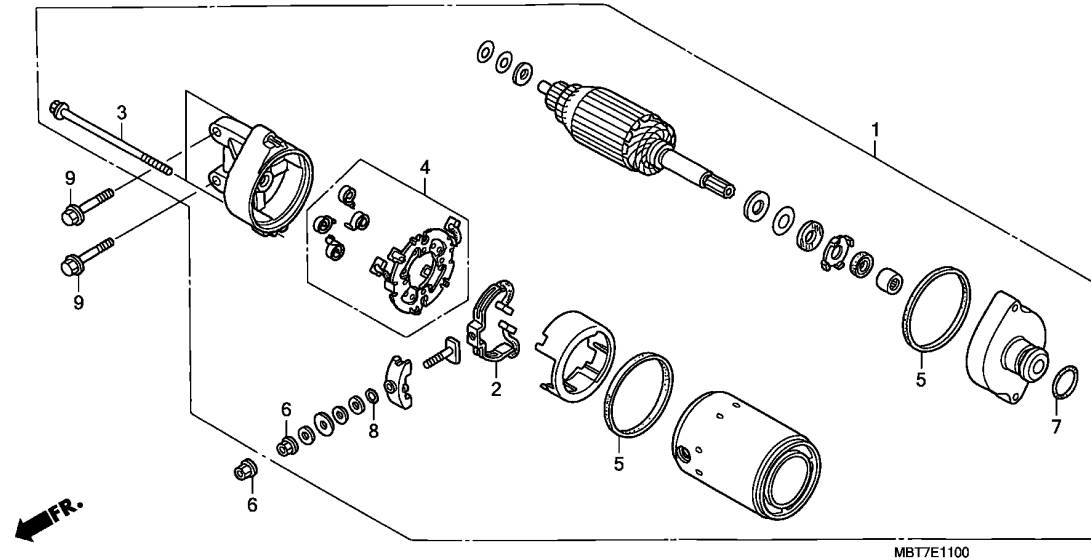
D16



Ref. No.	L.O.N.	(Relative ref. Number) Description	F.R.T.
1	1101B0	COVER, CRANKCASE :LEFT REAR .. (5)	0.2
4	2121A7	LEVER, CLUTCH .....	0.2

Ref. No.	Part No.	Description	Reqd. QTY						Serial No.	Parts catalogue code
			XL1000V			XL1000VA				
			7	8	9	7	8	9		
1	11340-MBT-C40	COVER COMP., L. ....	1	1	1	1	1	1		
2	11342-MBB-300	RUBBER, L. COVER .....	1	1	1	1	1	1		
3	11365-MBT-000	PLATE, DRIVE CHAIN GUIDE .....	1	1	1	1	1	1		
4	22710-MBT-F20	LEVER COMP., CLUTCH .....	1	1	1	1	1	1		
5	22815-MR8-900	SPRING, CLUTCH LEVER .....	1	1	1	1	1	1		
6	90010-GHB-690	BOLT, FLANGE, 6X32 .....	1	1	1	1	1	1		
7	90010-GHB-730	BOLT, FLANGE, 6X50 .....	3	3	3	3	3	3		
8	90011-HB9-000	BOLT, FLANGE, 6X10 .....	2	2	2	2	2	2		
9	90503-898-000	WASHER, TANK CUSHION .....	2	2	2	2	2	2		
10	90525-GC4-700	WASHER, BRAKE ARM .....	1	1	1	1	1	1		
11	90601-KJ9-000	CLIP, 4X50 .....	1	1	1	1	1	1		
12	91001-GG2-003	BEARING, NEEDLE, 12X18X12 ...	1	1	1	1	1	1		
13	91053-719-005	BEARING, NEEDLE, 12X16X10(NTN)	1	1	1	1	1	1		
14	91201-427-003	OIL SEAL, 12X20X6 .....	1	1	1	1	1	1		
15	94301-08140	DOWEL PIN, 8X14 .....	2	2	2	2	2	2		

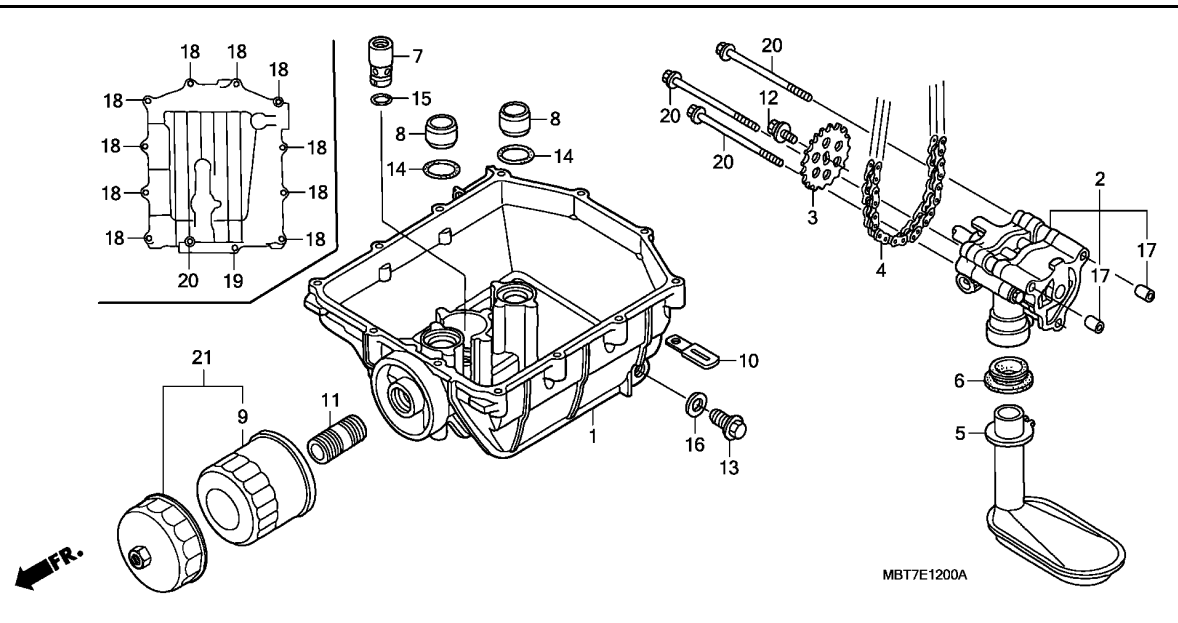
2



Ref. No.	L.O.N.	(Relative ref. Number) Description	F.R.T.
1	612105	MOTOR, STARTING .....	0.4
2	6121A4	TERMINAL, BRUSH(STARTER) .....	0.7
4	6121A5	HOLDER, BRUSH(STARTER) .....	0.7

Ref. No.	Part No.	Description	Reqd. QTY						Serial No.	Parts catalogue code
			XL1000V			XL1000VA				
			7	8	9	7	8	9		
1	31200-MAT-003	MOTOR ASSY., STARTING .....	1	1	1	1	1	1		
2	31201-MR6-008	TERMINAL SET, BRUSH .....	1	1	1	1	1	1		
3	31205-MV9-671	BOLT, SETTING .....	2	2	2	2	2	2		
4	31206-MR6-008	HOLDER SET, BRUSH .....	1	1	1	1	1	1		
5	31207-KS5-901	RING .....	2	2	2	2	2	2		
6	90071-MB0-000	NUT-WASHER, 6MM .....	2	2	2	2	2	2		
7	91309-425-003	O-RING, 24.4X3.1(ARAI) .....	1	1	1	1	1	1		
8	91320-MB0-000	O-RING .....	1	1	1	1	1	1		
9	95701-06028-00	BOLT, FLANGE, 6X28 .....	2	2	2	2	2	2		

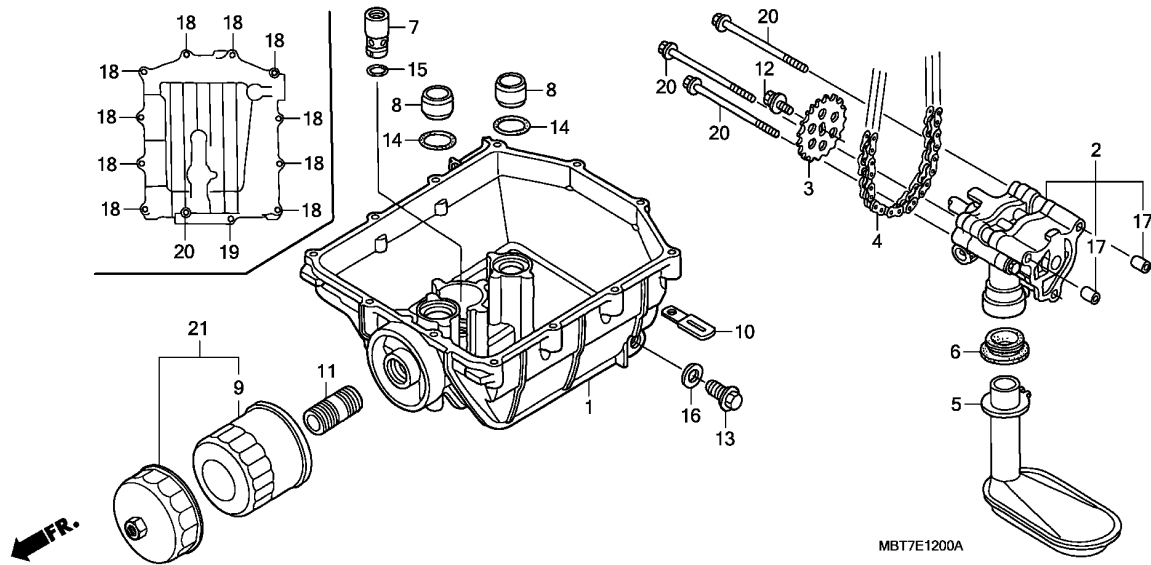




Ref. No.	L.O.N.	(Relative ref. Number) Description	F.R.T.
1	113145	PAN, OIL AND/OR GASKET .....	1.5
2	113105	PUMP ASSY., OIL .....	2.8
3	113111	SPROCKET, OIL PUMP DRIVEN ....	1.6
4	113122	CHAIN, OIL PUMP DRIVE .....	1.7
5		(6)	
	1131B6	STRAINER, OIL .....	1.3
7		(15)	
	113126	VALVE, RELIEF .....	1.5
9		(21)	
	113180	CARTRIDGE, OIL FILTER .....	0.3

Ref. No.	Part No.	Description	Reqd. QTY						Serial No.	Parts catalogue code
			XL1000V			XL1000VA				
			7	8	9	7	8	9		
1	11210-MBT-000	PAN, OIL .....	1	1	1	1	1	1		
2	15100-MBT-000	PUMP ASSY., OIL .....	1	1	1	1	1	1		
3	15134-KE8-010	SPROCKET, OIL PUMP DRIVEN (21T)	1	1	1	1	1	1		
4	15140-415-003	CHAIN, OIL PUMP (52L)(DAIDO)	1	1	1	1	1	1		
5	15150-MBT-000	STRAINER COMP., OIL .....	1	1	1	1	1	1		
6	15154-MM5-000	PACKING, OIL STRAINER .....	1	1	1	1	1	1		
7	15220-MB0-010	VALVE ASSY., RELIEF .....	1	1	1	1	1	1		
8	15326-KBV-000	COLLAR, 16X18X10 .....	2	2	2	2	2	2		
9	15410-MCJ-003	CARTRIDGE, OIL FILTER (TOYO ROKI)	1	-	-	1	-	-	-----	2800033
	15410-MFJ-D01	.....	1	-	-	1	-	-	2800034	
			-	1	1	-	1	1		
10	32925-958-000	CLIP, PULSER CORD .....	1	1	1	1	1	1		
11	90019-MB0-000	BOSS, OIL FILTER .....	1	1	1	1	1	1		
12	90021-MM5-000	BOLT-WASHER, 6X12 .....	1	1	1	1	1	1		
13	90131-883-000	BOLT, DRAIN PLUG, 12X15 .....	1	1	1	1	1	1		
14	91302-KE8-003	O-RING, 18X3(ARAI) .....	2	2	2	2	2	2		
15	91313-MB0-003	O-RING, 14.7X2.2(ARAI) .....	1	1	1	1	1	1		
16	94109-12000	WASHER, DRAIN PLUG, 12MM .....	1	1	1	1	1	1		
17	94301-08140	DOWEL PIN, 8X14 .....	2	2	2	2	2	2		
18	95701-06032-00	BOLT, FLANGE, 6X32 .....	10	10	10	10	10	10		
19	95701-06040-00	BOLT, FLANGE, 6X40 .....	1	1	1	1	1	1		
20	95701-06080-00	BOLT, FLANGE, 6X80 .....	4	4	4	4	4	4		
21	15010-MCE-H50	FILTER SET, OIL .....	(1)	-	-	(1)	-	-	-----	2800033

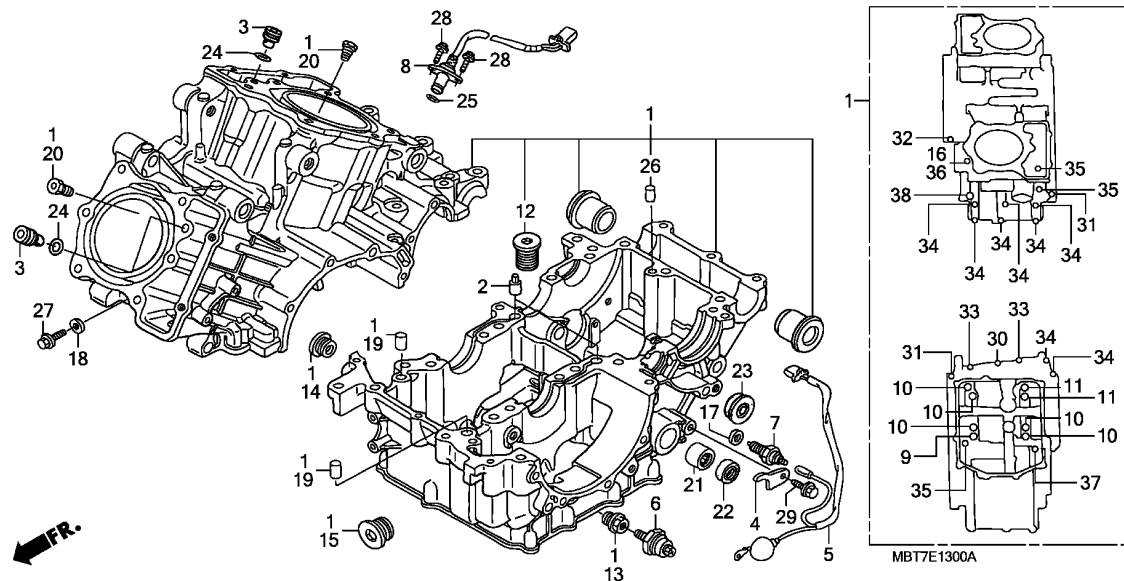
2



MBT7E1200A

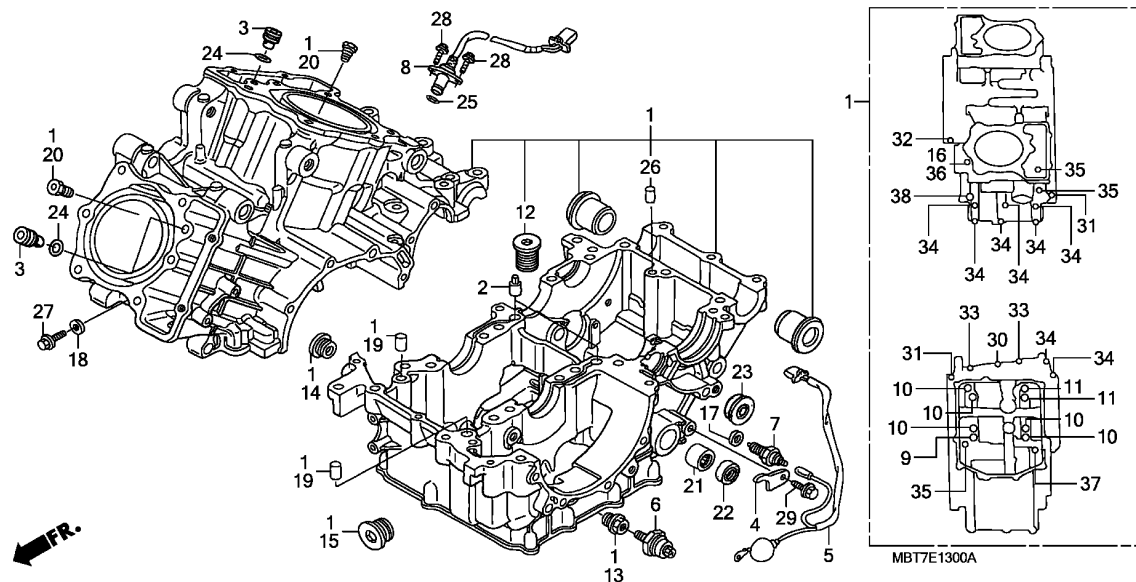
Ref. No.	Part No.	Description	Reqd. QTY						Serial No.	Parts catalogue code
			7	8	9	7	8	9		
21)	15010-MCE-H51	FILTER SET, OIL .....	(1)	-	(1)	-	-	2800034		
			-	(1)	(1)	-	(1)	(1)		





Ref. No.	L.O.N.	(Relative ref. Number) Description	F.R.T.
1	110105	CRANKCASE SET ..... .INCLUDES: Engine removal and installation	10.1
5	611142	SUB HARNESS, ENGINE .....	0.4
6	615160	SWITCH, OIL PRESSURE .....	0.5
7	6151B8	SWITCH, NEUTRAL .....	0.3
8	617198	SENSOR, SPEEDOMETER .....	0.3

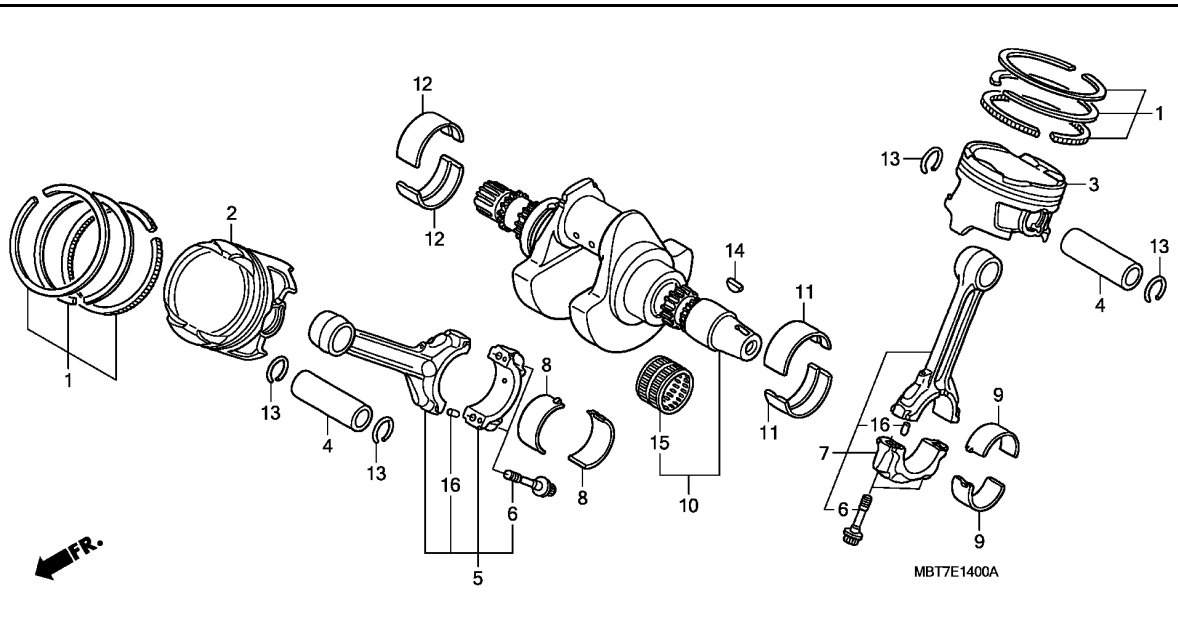
Ref. No.	Part No.	Description	Reqd. QTY						Serial No.	Parts catalogue code
			XL1000V			XL1000VA				
			7	8	9	7	8	9		
1	11000-MBT-C40	CRANKCASE SET .....	1	1	1	1	1	1		
2	11104-MW0-000	ORIFICE, 1.2MM .....	2	2	2	2	2	2		
3	11106-MBT-F40	COLLAR, SPECIAL .....	2	2	2	2	2	2		
4	24612-MAL-600	PLATE, SPINDLE .....	1	1	1	1	1	1		
5	32111-MBT-000	SUB CORD, ENGINE .....	1	1	1	1	1	1		
6	35500-MJ4-024	SWITCH ASSY., OIL PRESSURE (DENSO)	1	1	1	1	1	1		
7	35600-KE8-003	SWITCH ASSY., NEUTRAL (TOYO)	1	1	1	1	1	1		
8	37700-MBT-G70	SENSOR ASSY., SPEEDOMETER ...	1	1	-	1	1	-		
	37700-MBT-G71	.....	-	-	1	-	-	-		
9	90001-MBB-003	BOLT-WASHER, 10X80 .....	1	1	1	1	1	1		
10	90007-MBB-003	BOLT-WASHER, 10X105 .....	5	5	5	5	5	5		
11	90009-MBB-003	BOLT-WASHER, 10X115 .....	2	2	2	2	2	2		
12	90031-MBB-000	BOLT, SEALING, 18MM .....	1	1	1	1	1	1		
13	90048-MY5-600	BOLT, SEALING, 18MM .....	1	1	1	1	1	1		
14	90081-ZV5-010	BOLT, SEALING, 22MM .....	1	1	1	1	1	1		
15	90083-PL9-000	BOLT, SEALING, 24MM .....	1	1	1	1	1	1		
16	90442-028-000	WASHER, SEALING, 8MM .....	1	1	1	1	1	1		
17	90443-MJ6-000	WASHER, NEUTRAL .....	1	1	1	1	1	1		
18	90463-ML7-000	WASHER, SEALING, 6.5MM .....	1	1	1	1	1	1		
19	90701-MV9-670	DOWEL PIN, 10X16 .....	2	2	2	2	2	2		
20	90901-MBT-F20	JET, OIL, #1.0 .....	2	2	2	2	2	2		
21	91106-KM1-013	BEARING, NEEDLE, 14X22X16 ...	1	1	1	1	1	1		
22	91203-KA4-771	OIL SEAL, 14X22X5 (NOK) .....	1	1	1	1	1	1		
23	91204-MG8-003	OIL SEAL, 8X25X7 (ARAI) .....	1	1	1	1	1	1		



Ref. No.	Part No.	Description	Reqd. QTY						Serial No.	Parts catalogue code
			XL1000V			XL1000VA				
			7	8	9	7	8	9		
24	91302-HB3-004	O-RING, 7.5X1.5 .....	2	2	2	2	2	2		
25	91302-MAL-601	O-RING, 18.1X3.6 .....	1	1	1	1	1	1		
26	94302-08140	PIN B, DOWEL, 8X14 .....	1	1	1	1	1	1		
27	95701-06012-07	BOLT, FLANGE, 6X12 .....	1	1	1	1	1	1		
28	95701-06012-08	BOLT, FLANGE, 6X12 .....	2	2	2	2	2	2		
29	95701-06014-00	BOLT, FLANGE, 6X14 .....	1	1	1	1	1	1		
30	95701-06035-00	BOLT, FLANGE, 6X35 .....	1	1	1	1	1	1		
31	95701-06045-00	BOLT, FLANGE, 6X45 .....	2	2	2	2	2	2		
32	95701-06065-00	BOLT, FLANGE, 6X65 .....	1	1	1	1	1	1		
33	95701-08040-00	BOLT, FLANGE, 8X40 .....	2	2	2	2	2	2		
34	95701-08050-00	BOLT, FLANGE, 8X50 .....	8	8	8	8	8	8		
35	95701-08070-00	BOLT, FLANGE, 8X70 .....	3	3	3	3	3	3		
36	95701-08075-00	BOLT, FLANGE, 8X75 .....	1	1	1	1	1	1		
37	95701-08080-00	BOLT, FLANGE, 8X80 .....	1	1	1	1	1	1		
38	95701-10085-00	BOLT, FLANGE, 10X85 .....	1	1	1	1	1	1		

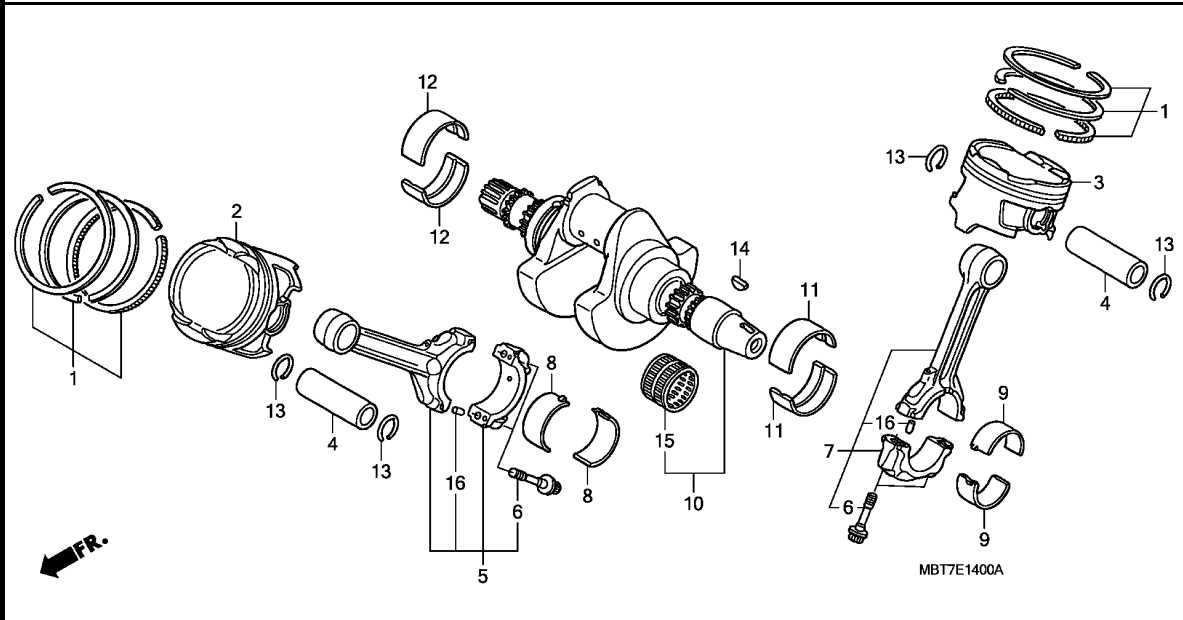






Ref. No.	L.O.N.	(Relative ref. Number) Description	F.R.T.
2	1111U3	(1,4,5,6,8,13,16) PISTON AND/OR RING SET AND/OR BEARING AND/OR ROD :FRONT ... .INCLUDES: Engine removal and installation .INCLUDES: Inspection/Measurement/Cleaning	7.8
3	1111U4	(1,4,6,7,9,13,16) PISTON AND/OR RING SET AND/OR BEARING AND/OR ROD :REAR .... .INCLUDES: Engine removal and installation .INCLUDES: Inspection/Measurement/Cleaning	7.8
	1111X9	PISTON AND/OR RING SET AND/OR BEARING AND/OR ROD :FOR 1 VEHICLE ..... .INCLUDES: Engine removal and installation .INCLUDES: Inspection/Measurement/Cleaning	9.2
10	1101B5	CRANKSHAFT ..... .INCLUDES: Engine removal and installation	8.6

Ref. No.	Part No.	Description	Reqd. QTY						Serial No.	Parts catalogue code
			XL1000V			XL1000VA				
			7	8	9	7	8	9		
1	13011-MBB-315	RING SET, PISTON (STD.) .....	2	2	2	2	2	2		
	13021-MBB-315	RING SET, PISTON (0.25) .....	(2)	(2)	(2)	(2)	(2)	(2)		
	13031-MBB-315	RING SET, PISTON (0.50) .....	(2)	(2)	(2)	(2)	(2)	(2)		
2	13101-MBT-F20	PISTON, FR. (STD.) .....	1	1	1	1	1	1		
	13102-MBT-306	PISTON, FR. (0.25) .....	(1)	(1)	(1)	(1)	(1)	(1)		
	13103-MBT-306	PISTON, FR. (0.50) .....	(1)	(1)	(1)	(1)	(1)	(1)		
3	13105-MBT-F20	PISTON, RR. (STD.) .....	1	1	1	1	1	1		
	13106-MBT-306	PISTON, RR. (0.25) .....	(1)	(1)	(1)	(1)	(1)	(1)		
	13107-MBT-306	PISTON, RR. (0.50) .....	(1)	(1)	(1)	(1)	(1)	(1)		
4	13111-MBB-000	PIN, PISTON .....	2	2	2	2	2	2		
5	13210-MBB-000	ROD ASSY., FR. CONNECTING ...	1	1	1	1	1	1		
6	13213-MBB-003	BOLT, CONNECTING ROD .....	4	4	4	4	4	4		
7	13220-MBB-000	ROD ASSY., RR. CONNECTING ...	1	1	1	1	1	1		
8	13224-MBB-003	BEARING A, FR. CONNECTING ROD (BLUE)	2	2	2	2	2	2		
	13225-MBB-003	BEARING B, FR. CONNECTING ROD (BLACK)	2	2	2	2	2	2		
	13226-MBB-003	BEARING C, FR. CONNECTING ROD (BROWN)	2	2	2	2	2	2		
	13227-MBB-003	BEARING D, FR. CONNECTING ROD (GREEN)	2	2	2	2	2	2		
	13228-MBB-003	BEARING E, FR. CONNECTING ROD (YELLOW)	2	2	2	2	2	2		
9	13234-MBB-003	BEARING A, RR. CONNECTING ROD (BLUE)	2	2	2	2	2	2		
	13235-MBB-003	BEARING B, RR. CONNECTING ROD (BLACK)	2	2	2	2	2	2		

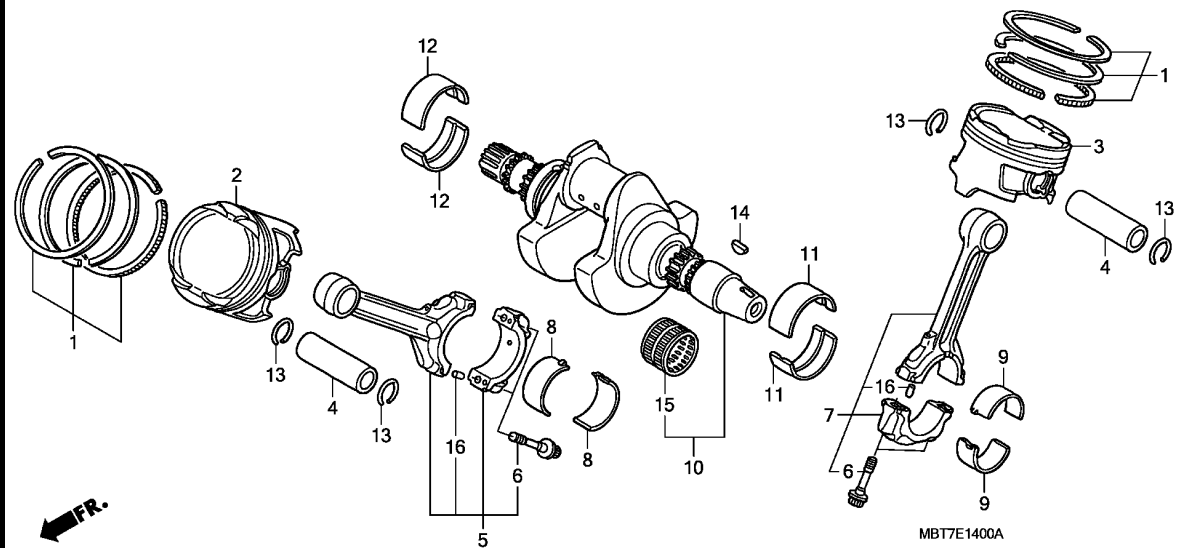


Ref. No.	L.O.N.	(Relative ref. Number) Description	F.R.T.
11	110125	(12) BEARING, CRANKSHAFT ..... .INCLUDES: Engine removal and installation .NOTE: Same time for two units or more	8.2

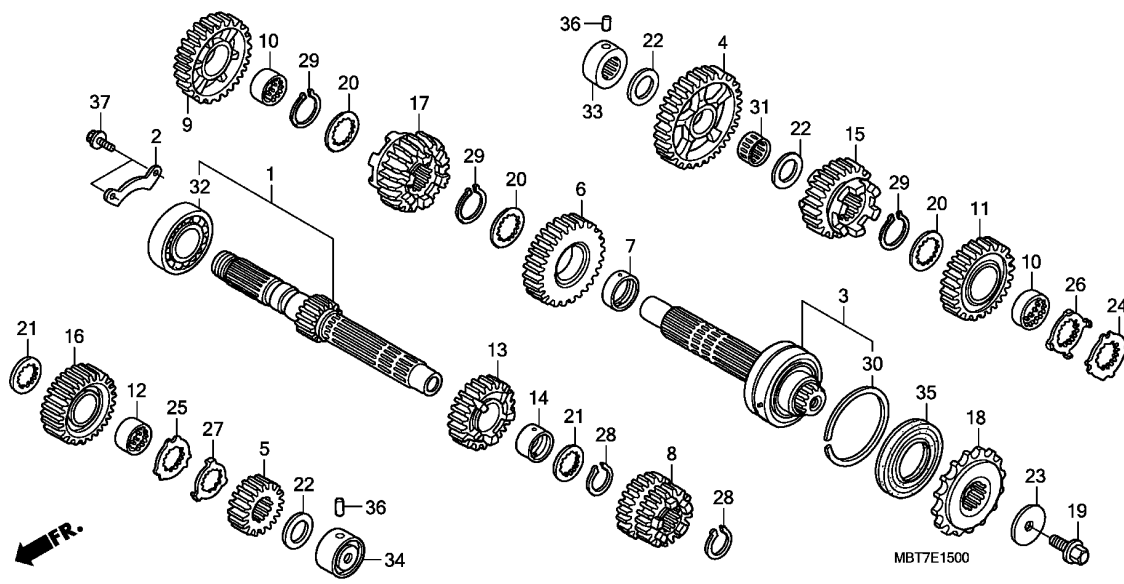
Ref. No.	Part No.	Description	Reqd. QTY						Serial No.	Parts catalogue code
			XL1000V			XL1000VA				
			7	8	9	7	8	9		
(9)	13236-MBB-003	BEARING C, RR. CONNECTING ROD (BROWN)	2	2	2	2	2	2		
	13237-MBB-003	BEARING D, RR. CONNECTING ROD (GREEN)	2	2	2	2	2	2		
	13238-MBB-003	BEARING E, RR. CONNECTING ROD (YELLOW)	2	2	2	2	2	2		
10	13310-MBT-C40	CRANKSHAFT COMP. ....	1	1	1	1	1	1		
11	13313-MBB-003	BEARING A, CRANKSHAFT L. SIDE (BLUE)	2	2	2	2	2	2		
	13314-MBB-003	BEARING B, CRANKSHAFT L. SIDE (BLACK)	2	2	2	2	2	2		
	13315-MBB-003	BEARING C, CRANKSHAFT L. SIDE (BROWN)	2	2	2	2	2	2		
	13316-MBB-003	BEARING D, CRANKSHAFT L. SIDE (GREEN)	2	2	2	2	2	2		
	13317-MBB-003	BEARING E, CRANKSHAFT L. SIDE (YELLOW)	2	2	2	2	2	2		
12	13323-MBB-003	BEARING A, CRANKSHAFT R. SIDE (BLUE)	2	2	2	2	2	2		
	13324-MBB-003	BEARING B, CRANKSHAFT R. SIDE (BLACK)	2	2	2	2	2	2		
	13325-MBB-003	BEARING C, CRANKSHAFT R. SIDE (BROWN)	2	2	2	2	2	2		
	13326-MBB-003	BEARING D, CRANKSHAFT R. SIDE (GREEN)	2	2	2	2	2	2		
	13327-MBB-003	BEARING E, CRANKSHAFT R. SIDE (YELLOW)	2	2	2	2	2	2		
13	90602-MBB-000	CLIP, PISTON PIN, 24MM .....	4	4	4	4	4	4		



2



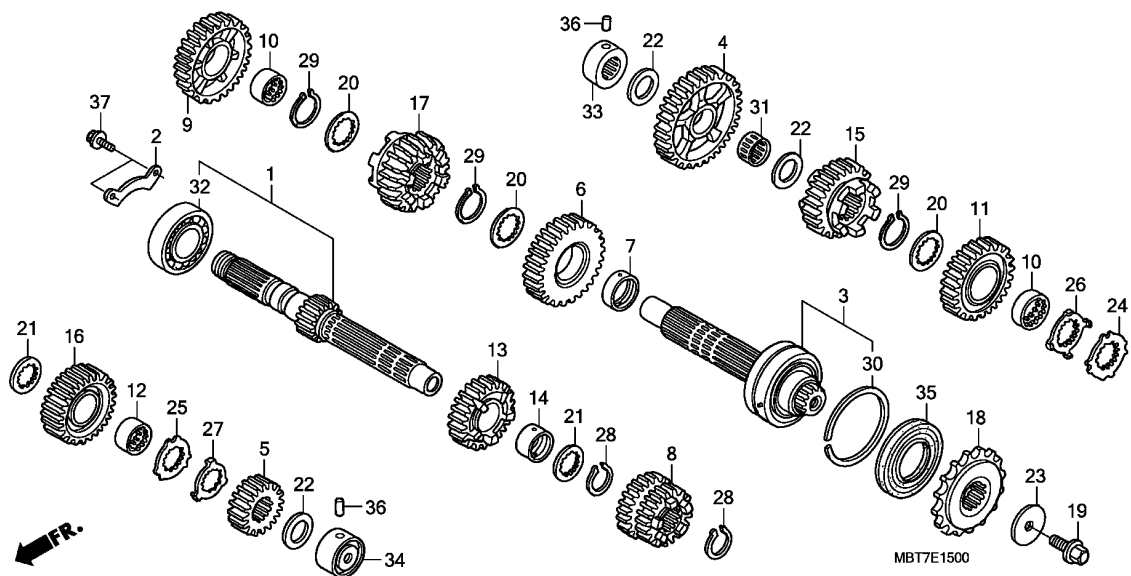
Ref. No.	Part No.	Description	Reqd. QTY						Serial No.	Parts catalogue code
			XL1000V			XL1000VA				
			7	8	9	7	8	9		
14	90741-413-000	KEY, WOODRUFF, 25X14 .....	1	1	1	1	1	1		
15	91021-MBB-003	BEARING, NEEDLE, 34X44X24 ...	1	1	1	1	1	1		
16	94303-04065	PIN C, DOWEL, 4X6.5 .....	4	4	4	4	4	4		



Ref. No.	L.O.N.	(Relative ref. Number) Description	F.R.T.
1		(5,8,13,16)	
210141		MAINSHAFT, TRANSMISSION ..... .INCLUDES: Engine removal and installation	7.1
210141A		.Replace countershaft add ....	0.2
3		(4,6,9,11,15,17)	
210142		COUNTERSHAFT, TRANSMISSION ... .INCLUDES: Engine removal and installation	7.0
210142A		.Replace mainshaft add .....	0.3
18		SPROCKET, DRIVE .....	0.2
32		BEARING, MAINSHAFT :RIGHT .... .INCLUDES: Engine removal and installation	7.1
33		BEARING, COUNTERSHAFT :RIGHT . .INCLUDES: Engine removal and installation	6.8
34		BEARING, MAINSHAFT :LEFT ..... .INCLUDES: Engine removal and installation	6.8
		2101C6 BEARING, MAINSHAFT :BOTH ..... .INCLUDES: Engine removal and installation	7.1
		2101D4 BEARING, MAINSHAFT AND COUNTERSHAFT :ALL .....	7.1

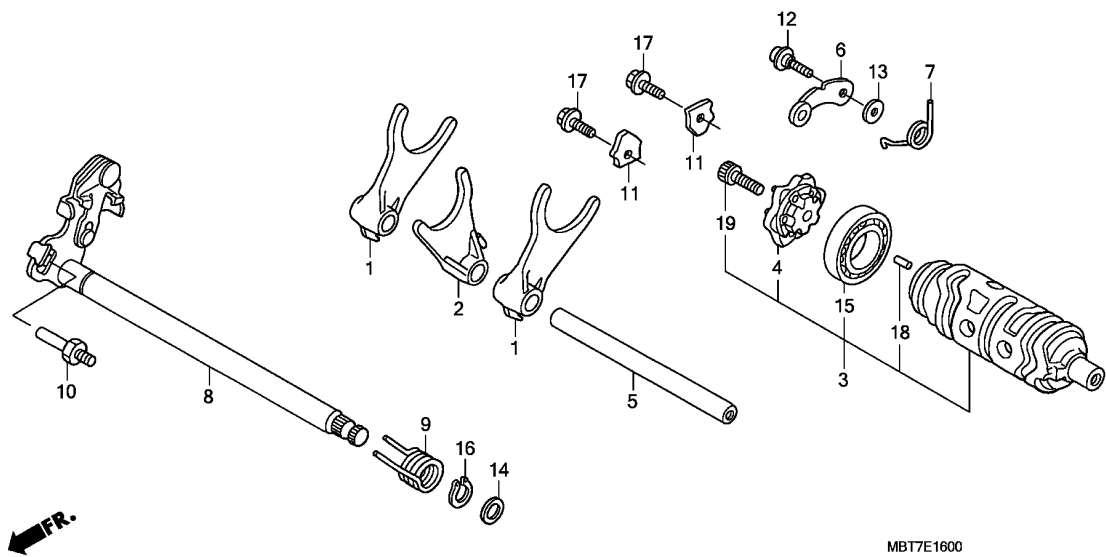
Ref. No.	Part No.	Description	Reqd. QTY						Serial No.	Parts catalogue code
			XL1000V			XL1000VA				
			7	8	9	7	8	9		
1	23210-MBT-F20	SHAFT COMP., MAIN .....	1	1	1	1	1	1		
2	23212-MV9-670	PLATE, BEARING SETTING .....	1	1	1	1	1	1		
3	23220-MBB-000	COUNTERSHAFT COMP. ....	1	1	1	1	1	1		
4	23421-MBT-F20	GEAR, COUNTERSHAFT LOW (36T)	1	1	1	1	1	1		
5	23431-MBT-F20	GEAR, MAINSHAFT SECOND (19T)	1	1	1	1	1	1		
6	23441-MBT-F20	GEAR, COUNTERSHAFT SECOND (32T)	1	1	1	1	1	1		
7	23442-MS2-610	COLLAR, 30X11.2 .....	1	1	1	1	1	1		
8	23451-MBT-F20	GEAR, MAINSHAFT THIRD & FOURTH (24T/30T)	1	1	1	1	1	1		
9	23461-MBT-F20	GEAR, COUNTERSHAFT THIRD (31T)	1	1	1	1	1	1		
10	23462-MAT-000	COLLAR, SPLINE, 30X11 .....	2	2	2	2	2	2		
11	23481-MBT-F20	GEAR, COUNTERSHAFT FOURTH (33T)	1	1	1	1	1	1		
12	23482-MR7-000	COLLAR, SPLINE, 28X13.5 .....	1	1	1	1	1	1		
13	23491-MBT-F20	GEAR, MAINSHAFT FIFTH (32T) -	1	1	1	1	1	1		
14	23495-MM5-000	COLLAR, 28X13 .....	1	1	1	1	1	1		
15	23501-MBT-F20	GEAR, COUNTERSHAFT FIFTH (31T)	1	1	1	1	1	1		
16	23511-MBT-F20	GEAR, MAINSHAFT SIXTH (34T) -	1	1	1	1	1	1		
17	23521-MBT-F20	GEAR, COUNTERSHAFT SIXTH (29T)	1	1	1	1	1	1		
18	23801-MAS-000	SPROCKET, DRIVE (16T) .....	1	1	1	1	1	1		
19	90037-422-003	BOLT, SPECIAL, 10MM .....	1	1	1	1	1	1		
20	90452-MAT-000	WASHER, SPLINE, 30X36X1.5 ...	3	3	3	3	3	3		
21	90452-MR7-000	WASHER, SPLINE, 28X34X1.5 ...	2	2	2	2	2	2		
22	90455-ML7-000	WASHER B, THRUST, 22MM(BLUE)	3	3	3	3	3	3		





Ref. No.	L.O.N.	(Relative ref. Number) Description	F.R.T.
+34		.INCLUDES: Engine removal and installation	
35	2101G7	OIL SEAL, COUNTERSHAFT :LEFT .INCLUDES: Engine removal and installation	6.8

Ref. No.	Part No.	Description	Reqd. QTY						Serial No.	Parts catalogue code
			XL1000V			XL1000VA				
			7	8	9	7	8	9		
23	90459-438-000	WASHER, 10.2MM .....	1	1	1	1	1	1		
24	90463-MAT-000	WASHER, SPLINE, 30MM .....	1	1	1	1	1	1		
25	90463-MR7-000	WASHER, SPLINE, 28MM .....	1	1	1	1	1	1		
26	90464-MAT-000	WASHER, LOCK, 30MM .....	1	1	1	1	1	1		
27	90464-MR7-000	WASHER, LOCK, 28MM .....	1	1	1	1	1	1		
28	90603-MN4-000	CIRCLIP, 28MM .....	2	2	2	2	2	2		
29	90604-MM5-000	CIRCLIP, 30MM .....	3	3	3	3	3	3		
30	90605-MM5-000	RING, SNAP, 72MM .....	1	1	1	1	1	1		
31	91001-MB6-680	BEARING, NEEDLE, 22X26X13 ...	1	1	1	1	1	1		
32	91004-MBT-003	BEARING, RADIAL BALL, 28X62X16	1	1	1	1	1	1		
33	91022-MCF-003	BEARING, NEEDLE, 22X38X16 ...	1	1	1	1	1	1		
34	91025-MBT-F21	BEARING, NEEDLE, 22X38X19.3 .	1	1	1	1	1	1		
35	91207-MBB-003	OIL SEAL, 39X72X8 .....	1	1	1	1	1	1		
36	94302-08100	PIN B, DOWEL, 8X10 .....	2	2	2	2	2	2		
37	95701-06014-00	BOLT, FLANGE, 6X14 .....	2	2	2	2	2	2		

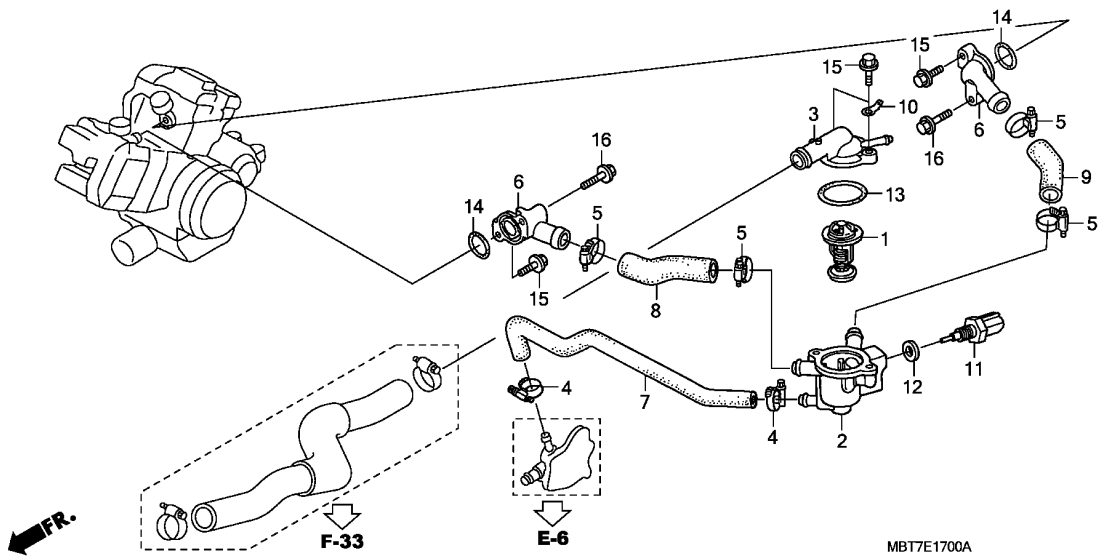


Ref. No.	L.O.N.	(Relative ref. Number) Description	F.R.T.
1		(2,5)	
210112		FORK, GEARSHIFT .....	3.0
.NOTE: Same time for two units or more			
3	2101A9	DRUM, GEARSHIFT .....	3.0
4	2101B2	CENTER, GEARSHIFT DRUM .....	1.7
6		(7)	
210125		STOPPER OR SPRING, SHIFT DRUM	1.7
8	210122	SPINDLE, GEARSHIFT .....	1.6
9	210120	SPRING, SHIFT RETURN .....	1.6
15	2101C3	BEARING, GEARSHIFT DRUM .....	3.1

MBT7E1600

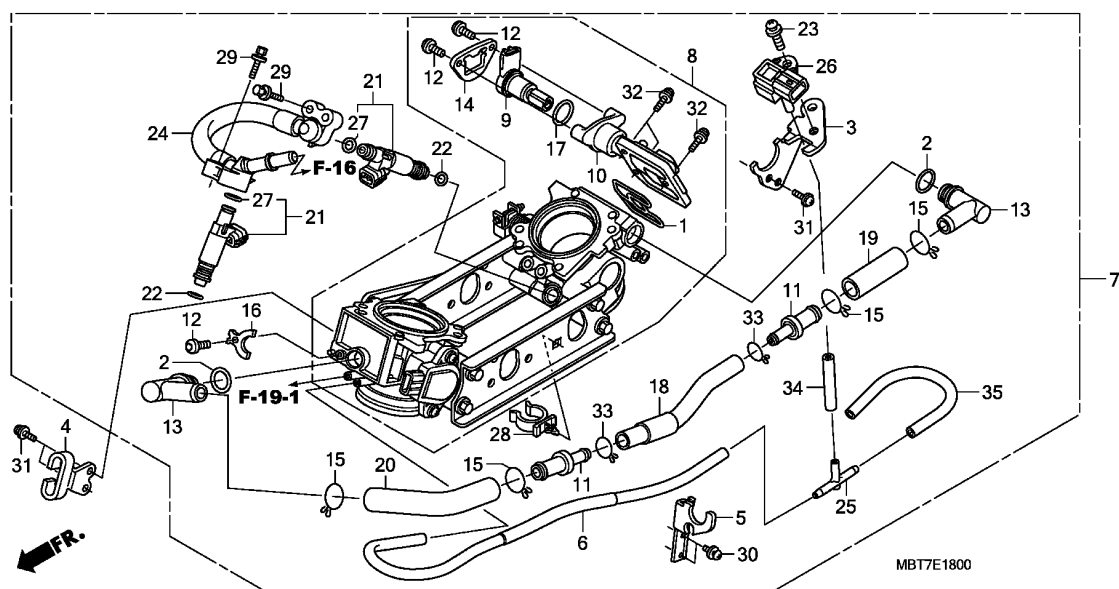
Ref. No.	Part No.	Description	Reqd. QTY						Serial No.	Parts catalogue code
			XL1000V			XL1000VA				
			7	8	9	7	8	9		
1	24211-MBT-F20	FORK, GEARSHIFT .....	2	2	2	2	2	2		
2	24212-MBB-000	FORK, CENTER GEARSHIFT .....	1	1	1	1	1	1		
3	24310-MBB-000	DRUM COMP., GEARSHIFT .....	1	1	1	1	1	1		
4	24315-MV9-932	CENTER COMP., SHIFT DRUM .....	1	1	1	1	1	1		
5	24321-MAS-000	SHAFT, GEARSHIFT FORK .....	1	1	1	1	1	1		
6	24430-MBB-000	STOPPER COMP., DRUM .....	1	1	1	1	1	1		
7	24435-MBB-000	SPRING, SHIFT DRUM STOPPER ..	1	1	1	1	1	1		
8	24610-MBB-D40	SPINDLE COMP., GEARSHIFT .....	1	1	1	1	1	1		
9	24651-MBB-000	SPRING, SHIFT RETURN .....	1	1	1	1	1	1		
10	24652-035-000	PIN, SHIFT RETURN SPRING .....	1	1	1	1	1	1		
11	24655-MV9-670	PLATE, DRUM SETTING .....	2	2	2	2	2	2		
12	90022-MY5-600	PIVOT, SHIFT DRUM STOPPER ARM	1	1	1	1	1	1		
13	90417-360-000	WASHER, DRUM STOPPER .....	1	1	1	1	1	1		
14	90451-155-000	WASHER, 14MM .....	1	1	1	1	1	1		
15	91008-374-003	BEARING, BALL, 16005(NTN) ...	1	1	1	1	1	1		
16	94510-14000	CIRCLIP, EXTERNAL, 14MM .....	1	1	1	1	1	1		
17	95701-06014-00	BOLT, FLANGE, 6X14 .....	2	2	2	2	2	2		
18	96220-40080	ROLLER, 4X8 .....	1	1	1	1	1	1		
19	96600-08020-10	BOLT, SOCKET, 8X20 .....	1	1	1	1	1	1		





Ref. No.	L.O.N.	(Relative ref. Number) Description	F.R.T.
1	114116	THERMOSTAT .....	1.1
2	114117	CASE, THERMOSTAT .....	1.4
3	1141B3	COVER, THERMOSTAT .....	1.1
6		(14)	
	1141D6	JOINT, WATER :FRONT .....	1.6
	1141D7	JOINT, WATER :REAR .....	1.6
	1141D4	JOINT, WATER :BOTH .....	1.7
7	1141B4	HOSE, WATER BYPASS .....	1.5
8	1141C5	HOSE, HEAD WATER :FRONT .....	1.5
	1141C7	HOSE, HEAD WATER :BOTH .....	1.6
9	1141C6	HOSE, HEAD WATER :REAR .....	1.5
	1141C7	HOSE, HEAD WATER :BOTH .....	1.6
11	6171A9	SENSOR, WATER TEMP .....	1.5
13	1141E2	O-RING, THERMOSTAT .....	1.0

Ref. No.	Part No.	Description	Reqd. QTY						Serial No.	Parts catalogue code
			XL1000V			XL1000VA				
			7	8	9	7	8	9		
1	19300-MBT-003	THERMOSTAT .....	1	1	1	1	1	1		
2	19310-MBT-C40	CASE COMP., THERMOSTAT .....	1	1	1	1	1	1		
3	19315-MBB-000	COVER, THERMOSTAT .....	1	1	1	1	1	1		
4	19505-KS6-700	CLAMP A, WATER HOSE .....	2	2	2	2	2	2		
5	19517-ML7-691	CLAMP, HOSE, 22-29MM .....	4	4	4	4	4	4		
6	19523-MT3-000	JOINT, WATER .....	2	2	2	2	2	2		
7	19527-MBT-F20	HOSE, WATER BYPASS .....	1	1	1	1	1	1		
8	19528-MBT-000	HOSE, FR. HEAD WATER .....	1	1	1	1	1	1		
9	19529-MBT-000	HOSE, RR. HEAD WATER .....	1	1	1	1	1	1		
10	32152-MB3-000	CONNECTOR, EARTH .....	1	1	1	1	1	1		
11	37870-KRJ-901	SENSOR ASSY., WATER TEMP .....	1	1	1	1	1	1		
12	90454-MC7-000	WASHER, SPECIAL, 12MM .....	1	1	1	1	1	1		
13	91311-KE8-000	O-RING, 47.5X2 .....	1	1	1	1	1	1		
14	91331-PC9-003	O-RING, 21.2X2.4(ARAI) .....	2	2	2	2	2	2		
15	96001-06022-00	BOLT, FLANGE, 6X22 .....	4	4	4	4	4	4		
16	96001-06040-00	BOLT, FLANGE, 6X40 .....	2	2	2	2	2	2		

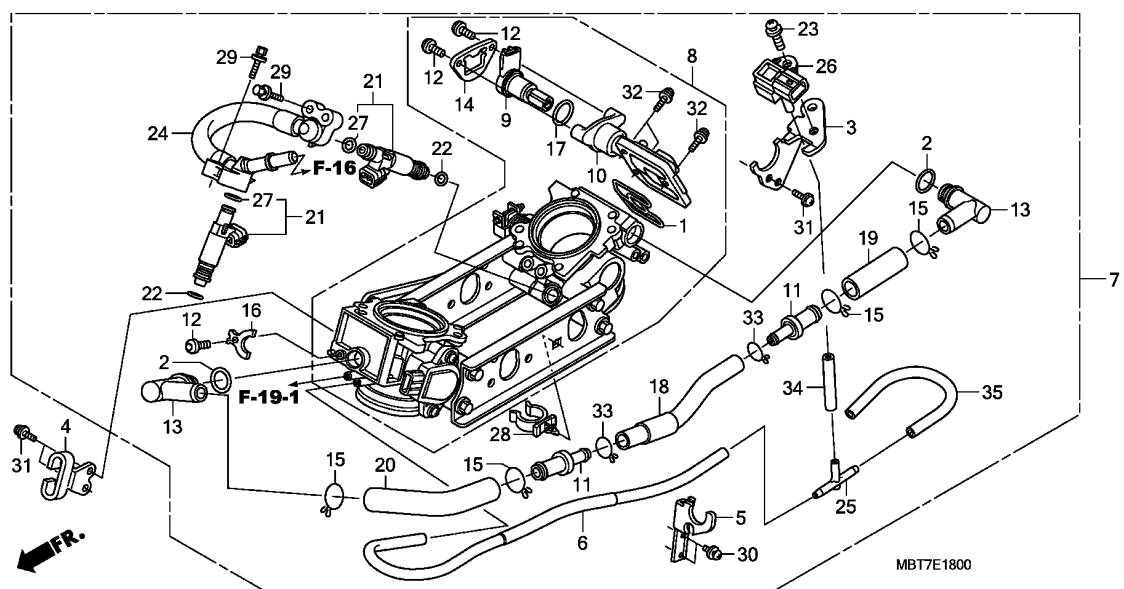


Ref. No.	L.O.N.	(Relative ref. Number) Description	F.R.T.
7	311132	BODY ASSY., THROTTLE .....	1.4
8	311130	BODY, THROTTLE .....	1.6
9	3111N5	VALVE, IDLE AIR CONTROL .....	0.9
10	3111P5	BODY, IDLE AIR CONTROL VALVE ..	1.0
21	311145	INJECTOR, FUEL .....	1.3
.NOTE: Same time for two units			
24	311140	PIPE, FUEL .....	1.2
26	617116	SENSOR, MAP .....	0.8

Ref. No.	Part No.	Description	Reqd. QTY						Serial No.	Parts catalogue code
			XL1000V			XL1000VA				
			7	8	9	7	8	9		
1	16075-MEW-921	O-RING .....	1	1	1	1	1	1		
2	16076-MBT-C41	O-RING .....	2	2	2	2	2	2		
3	16118-MBT-C41	STAY, PB SENSOR .....	1	1	1	1	1	1		
4	16169-MBT-F21	STAY, WIRE .....	1	1	1	1	1	1		
5	16196-MBT-C41	STAY, TUBE .....	1	1	1	1	1	1		
6	16197-MBT-C41	TUBE COMP., 3.5X360 .....	1	1	1	1	1	1		
7	16400-MBT-C41	THROTTLE BODY ASSY. (GQ46B A)	1	1	1	1	1	1		
8	16401-MBT-C41	THROTTLE BODY ASSY. ....	1	1	1	1	1	1		
9	16430-MFA-D01	MOTOR ASSY. ....	1	1	1	1	1	1		
10	16431-MBT-C41	BODY COMP., IDLE AIR CONTROL VALVE	1	1	1	1	1	1		
11	16432-MBT-C41	JOINT, STRAIGHT .....	2	2	2	2	2	2		
12	16433-HN8-A61	SCREW, TORX .....	3	3	3	3	3	3		
13	16433-MBT-C41	JOINT (L) .....	2	2	2	2	2	2		
14	16433-MEW-921	PLATE, IDLE AIR CONTROL VALVE	1	1	1	1	1	1		
15	16434-MBT-C41	CLIP, TUBE (18) .....	4	4	4	4	4	4		
16	16435-MBT-C41	PLATE, JOINT .....	1	1	1	1	1	1		
17	16435-MFJ-D01	O-RING, 17.8X1.9 .....	1	1	1	1	1	1		
18	16440-MBT-C41	TUBE COMP., 7.3X145 .....	1	1	1	1	1	1		
19	16441-MBT-C41	TUBE, 12X55 .....	1	1	1	1	1	1		
20	16442-MBT-C41	TUBE, 12X110 .....	1	1	1	1	1	1		
21	16450-MBT-C41	INJECTOR ASSY., FUEL .....	2	2	2	2	2	2		
22	16472-MCW-000	SEAL RING, INJECTOR .....	2	2	2	2	2	2		
23	16542-MEL-003	BOLT-WASHER, 6X18 .....	1	1	1	1	1	1		
24	16610-MBT-C41	PIPE COMP., FUEL .....	1	1	1	1	1	1		







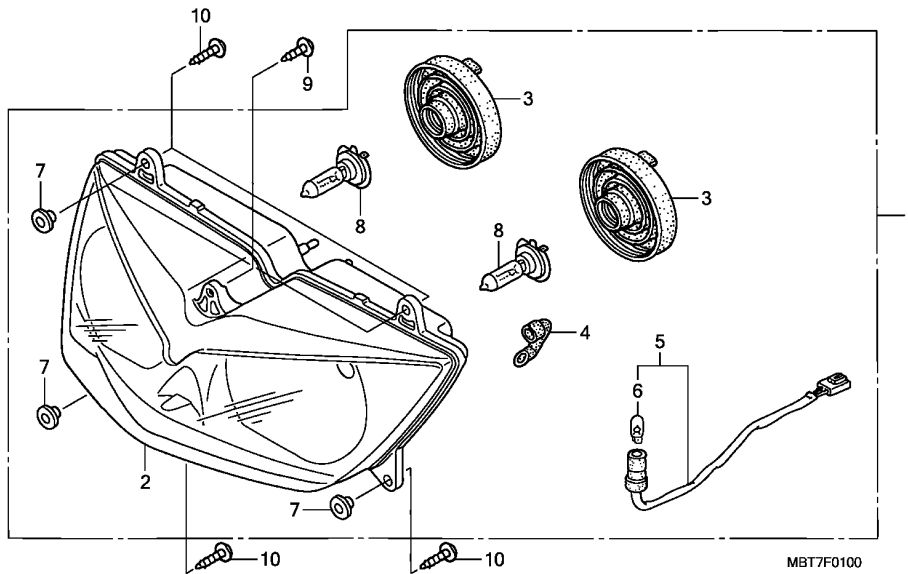
Ref. No.	Part No.	Description	Reqd. QTY						Serial No.	Parts catalogue code
			XL1000V			XL1000VA				
			7	8	9	7	8	9		
25	17201-MG9-000	JOINT A, VACUUM TUBE .....	1	1	1	1	1	1		
26	37830-MEL-003	SENSOR ASSY., MAP .....	1	1	1	1	1	1		
27	91301-P7A-004	O-RING .....	2	2	2	2	2	2		
28	91546-SR3-003	CLAMP, 16.5 .....	1	1	1	1	1	1		
29	93401-05020-00	BOLT-WASHER, 5X20 .....	4	4	4	4	4	4		
30	93892-05008-10	SCREW-WASHER, 5X8 .....	2	2	2	2	2	2		
31	93892-05012-10	SCREW-WASHER, 5X12 .....	4	4	4	4	4	4		
32	93892-05016-10	SCREW-WASHER, 5X16 .....	3	3	3	3	3	3		
33	95002-02130	CLIP, TUBE (B12.5) .....	2	2	2	2	2	2		
34	95005-35030-20	TUBE, 3.5X30(95005-35001-20M)	1	1	1	1	1	1		
35	95005-35100-20	TUBE, 3.5X100(95005-35001-20M)	1	1	1	1	1	1		

2

F-1

HEADLIGHT

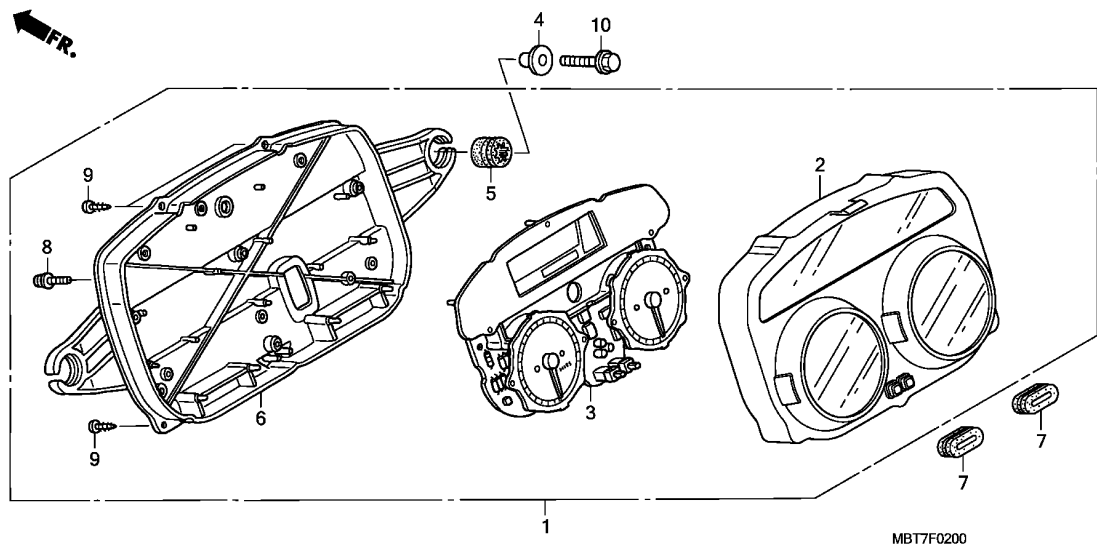
F 1



Ref. No.	L.O.N.	(Relative ref. Number) Description	F.R.T.
1	616115	HEADLIGHT ASSEMBLY .....	0.7
2	6161A7	HEADLIGHT UNIT .....	0.7
5	616180	SOCKET, POSITION LIGHT .....	0.2
6	616182	BULB, POSITION LIGHT .....	0.1
8		(3)	
	616118	BULB, HEADLIGHT .....	0.1

.NOTE: Same time for two units

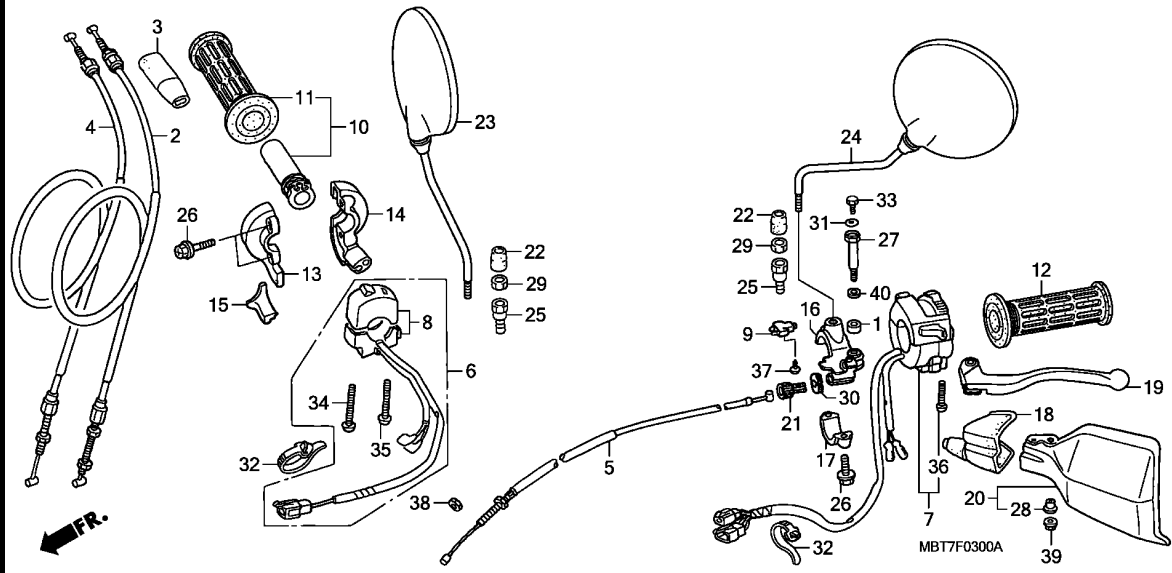
Ref. No.	Part No.	Description	Reqd. QTY						Serial No.	Parts catalogue code
			XL1000V			XL1000VA				
			7	8	9	7	8	9		
1	33100-MBT-D21	HEADLIGHT ASSY. (12V 60/55W)	1	1	1	1	1	1	-----	ED,F
	33100-MBT-E20	.....	1	1	1	1	1	1	-----	E,EK
2	33102-MBT-D21	HEADLIGHT UNIT .....	1	1	1	1	1	1	-----	ED,F
	33102-MBT-E20	.....	1	1	1	1	1	1	-----	E,EK
3	33112-MBT-D21	COVER, RUBBER .....	2	2	2	2	2	2		
4	33113-MBT-D21	PIPE, CP .....	1	1	1	1	1	1		
5	33140-MBT-D21	SOCKET COMP., POSITION LIGHT	1	1	1	1	1	1		
6	33301-MBT-D21	BULB, POSITION LIGHT (12V 5W)	1	1	1	1	1	1		
7	33302-MBT-D21	COLLAR, HEADLIGHT .....	4	4	4	4	4	4		
8	34901-MAK-000	BULB, HEADLIGHT (OSRAM) (12V 60/55W)	2	2	2	2	2	2		
9	93913-25520	SCREW, TAPPING, 5X20(PO) ....	1	1	1	1	1	1		
10	93913-25680	SCREW, TAPPING, 5X25 .....	4	4	4	4	4	4		



Ref. No.	L.O.N.	(Relative ref. Number) Description	F.R.T.
1	8121A1	METER ASSY., COMBINATION .....	0.5
2	8121B4	CASE, METER :UPPER .....	0.6
3	8121A2	METER, COMBINATION .....	0.7
6	8121B5	CASE, METER :LOWER .....	0.6

3

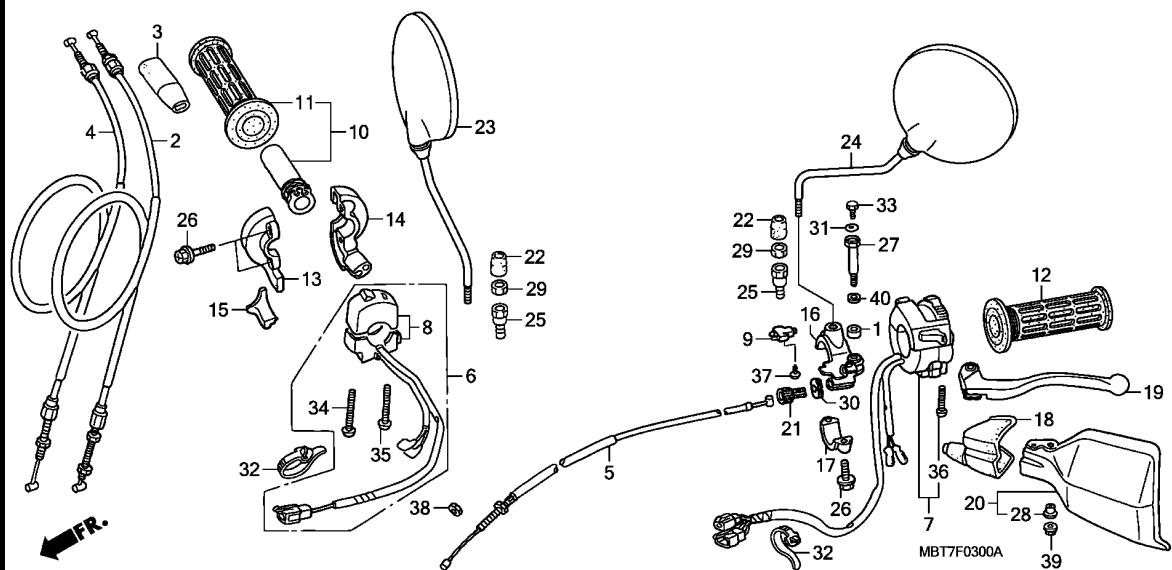
Ref. No.	Part No.	Description	Reqd. QTY						Serial No.	Parts catalogue code
			XL1000V			XL1000VA				
			7	8	9	7	8	9		
1	37100-MBT-C41	METER ASSY., COMBINATION (KPH)	1	1	1	-	-	-	-----	ED,EK,F
	37100-MBT-C51	.....	-	-	-	1	1	1	-----	ED,EK,F
	37100-MBT-K41	METER ASSY., COMBINATION (MPH/KPH)	1	1	1	-	-	-	-----	E
	37100-MBT-K51	.....	-	-	-	1	1	1	-----	E
2	37110-MBT-C41	CASE ASSY., UPPER .....	1	1	1	1	1	1	-----	
3	37200-MBT-C41	METER ASSY., SPEED & TACHO ..	1	1	1	-	-	-	-----	ED,EK,F
	37200-MBT-C51	.....	-	-	-	1	1	1	-----	ED,EK,F
	37200-MBT-K41	.....	1	1	1	-	-	-	-----	E
	37200-MBT-K51	.....	-	-	-	1	1	1	-----	E
4	37243-KV3-830	COLLAR, SPEEDOMETER MOUNTING	2	2	2	2	2	2	-----	
5	37244-MM4-000	RUBBER, SPEEDOMETER MOUNTING	2	2	2	2	2	2	-----	
6	37615-MBT-D21	CASE ASSY., LOWER .....	1	1	1	-	-	-	-----	
	37615-MBT-D51	.....	-	-	-	1	1	1	-----	
7	83601-MB0-000	GROMMET A, SIDE COVER .....	2	2	2	2	2	2	-----	
8	90101-MCE-003	SCREW-WASHER, 3X18 .....	2	2	2	2	2	2	-----	
9	93903-24480	SCREW, TAPPING, 4X16 .....	9	9	9	9	9	9	-----	
10	96300-06022-07	BOLT, FLANGE, 6X22 .....	2	2	2	2	2	2	-----	



Ref. No.	L.O.N.	(Relative ref. Number) Description	F.R.T.
2		(4) CABLE, THROTTLE .....	1.0
		.NOTE: Same time for two units	
5		CABLE, CLUTCH .....	0.3
6		(8) 615120 SWITCH, STARTER KILL .....	0.5
		615120A .ABS add .....	0.5
7		615118 SWITCH, WINKER .....	0.5
9		6151A9 SWITCH, CLUTCH .....	0.2
10		810150 GRIP, THROTTLE .....	0.3
11		8101C1 GRIP, HANDLE :RIGHT .....	0.2
12		8101C0 GRIP, HANDLE :LEFT .....	0.1
14		810155 HOUSING, THROTTLE .....	0.3
16		8101C8 BRACKET, HANDLE LEVER :LEFT ..	0.2
19		8101C6 LEVER, HANDLE :LEFT .....	0.1
		8101F5 LEVER, HANDLE :BOTH .....	0.2
20		8101E2 GUARD, KNUCKLE :LEFT .....	0.1

Ref. No.	Part No.	Description	Reqd. QTY						Serial No.	Parts catalogue code
			XL1000V			XL1000VA				
			7	8	9	7	8	9		
1	17232-MT4-000	SPACER, SUB AIR CLEANER .....	1	1	1	1	1	1		
2	17910-MBT-D21	CABLE COMP. A, THROTTLE .....	1	1	1	1	1	1		
3	17913-KB7-000	COVER, THROTTLE CABLE .....	1	1	1	1	1	1		
4	17920-MBT-D20	CABLE COMP. B, THROTTLE .....	1	1	1	1	1	1		
5	22870-MBT-D20	CABLE COMP., CLUTCH .....	1	1	1	1	1	1		
6	35013-MBT-D20	SWITCH SET, STARTER KILL ....	1	1	1	-	-	-		
7	35020-MBT-D20	SWITCH SET, WINKER .....	1	1	1	1	1	1		
8	35130-MBT-D50	SWITCH ASSY., STARTER KILL ..	-	-	-	1	1	1		
9	35330-MK5-003	SWITCH ASSY., CLUTCH .....	1	1	1	1	1	1		
10	53140-MBT-D21	GRIP ASSY., THROTTLE .....	1	1	1	1	1	1		
11	53165-ML7-010	GRIP, R. HANDLE .....	1	1	1	1	1	1		
12	53166-ML7-000	GRIP, L. HANDLE .....	1	1	1	1	1	1		
13	53167-KB7-000	HOUSING, UPPER THROTTLE .....	1	1	1	1	1	1		
14	53168-MG7-000	HOUSING, UNDER THROTTLE .....	1	1	1	1	1	1		
15	53169-KB7-000	SLIDER, THROTTLE CABLE .....	1	1	1	1	1	1		
16	53172-MAN-910	BRACKET, L. HANDLE LEVER ....	1	1	1	1	1	1		
17	53174-MAN-910	HOLDER, L. LEVER BRACKET ....	1	1	1	1	1	1		
18	53177-MBT-C40	COVER, L. HANDLE LEVER .....	1	1	1	1	1	1		
19	53178-MBT-D20	LEVER, L. STEERING HANDLE ...	1	1	1	1	1	1		
20	53185-MAN-911ZA	GUARD, L. KNUCKLE								
		*NH1*.....BLACK	1	1	1	1	1	1		
21	53192-MY5-730	BOLT, WIRE ADJUSTING .....	1	1	1	1	1	1		
22	88130-MB6-620	COVER, LOCK NUT .....	2	2	2	2	2	2		
23	88210-MBT-D21	MIRROR COMP., R. .....	1	1	1	1	1	1		
24	88220-MBT-D21	MIRROR COMP., L. .....	1	1	1	1	1	1		



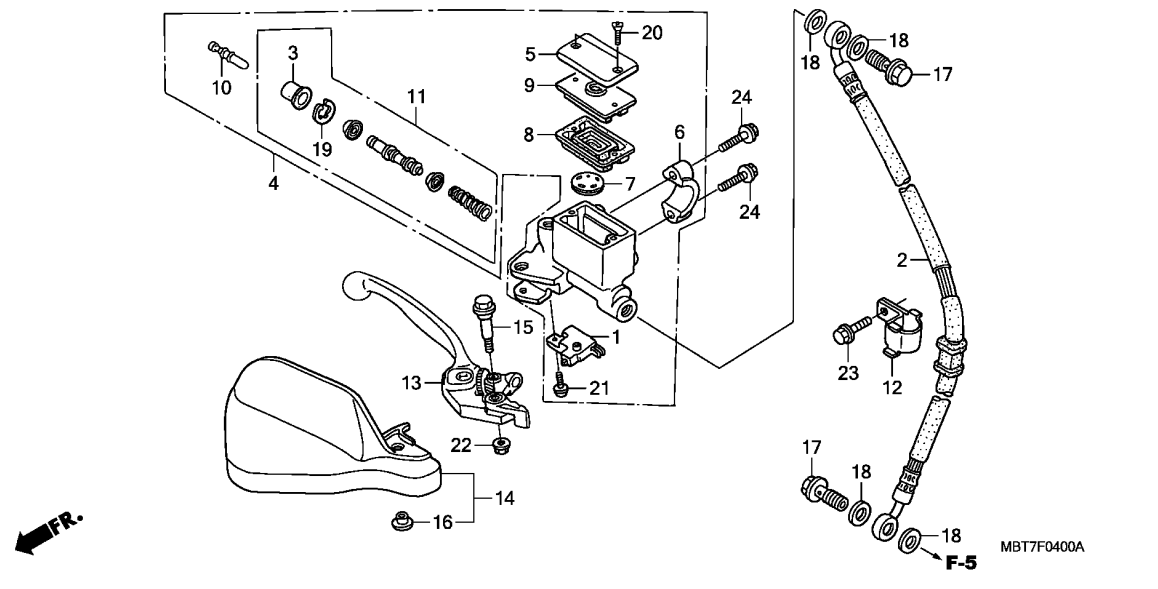


Ref. No.	Part No.	Description	Reqd. QTY						Serial No.	Parts catalogue code
			XL1000V			XL1000VA				
			7	8	9	7	8	9		
25	90003-MBT-D20	BOLT, ADAPTER, 10MM .....	2	2	2	2	2	2		
26	90112-MAW-620	BOLT, FLANGE, 5X18 .....	4	4	4	4	4	4		
27	90114-MK5-000	BOLT, LEVER PIVOT .....	1	1	1	1	1	1		
28	90127-KF0-770	COLLAR, 6X4 .....	1	1	1	1	1	1		
29	90201-MY5-720	NUT, HEX., 10MM (LEFT HAND THREAD)	2	2	2	2	2	2		
30	90321-315-670	NUT, FIXING .....	1	1	1	1	1	1		
31	90554-MBT-610	WASHER, KNUCKLE .....	1	1	1	1	1	1		
32	90650-KW3-000	BAND, WIRE .....	2	2	2	2	2	2		
33	92101-05012-0A	BOLT, HEX., 5X12 .....	1	1	1	1	1	1		
34	93500-04032-0G	SCREW, PAN, 4X32 .....	1	1	1	1	1	1		
35	93500-04045-0G	SCREW, PAN, 4X45 .....	1	1	1	1	1	1		
36	93500-05020-0G	SCREW, PAN, 5X20 .....	2	2	2	2	2	2		
37	93901-32320	SCREW, TAPPING, 3X12 .....	1	1	1	1	1	1		
38	94002-08070-0S	NUT, HEX., 8MM .....	1	1	1	1	1	1		
39	94050-06000	NUT, FLANGE, 6MM .....	1	1	1	1	1	1		
40	94102-08000	WASHER, PLAIN, 8MM .....	1	1	1	1	1	1		

**F-4**

**FR. BRAKE MASTER CYLINDER (XL1000V)**

**F 5**



Ref. No.	L.O.N.	(Relative ref. Number) Description	F.R.T.
1	6151B2	SWITCH, FRONT STOP .....	0.1
2	7121A0	HOSE, FRONT BRAKE .....	0.4
		.INCLUDES: Bleed brakes	
4	712105	CYLINDER, FRONT BRAKE MASTER .....	0.4
		.INCLUDES: Bleed brakes	
8	7121G6	DIAPHRAGM, FRONT BRAKE MASTER .....	0.1
11	7121G9	PISTON SET, FRONT BRAKE MASTER .....	0.4
		.INCLUDES: Bleed brakes	
13	8101C7	LEVER, HANDLE :RIGHT .....	0.1
	8101F5	LEVER, HANDLE :BOTH .....	0.2
14	8101E3	GUARD, KNUCKLE :RIGHT .....	0.1

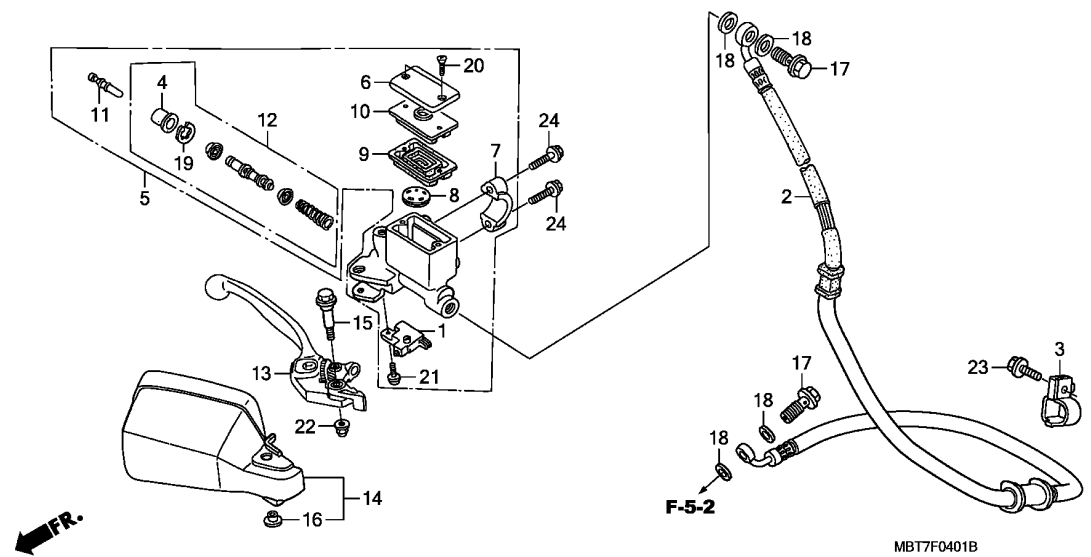
Ref. No.	Part No.	Description	Reqd. QTY			Serial No.	Parts catalogue code
			XL1000V 7 8 9	XL1000VA 7 8 9			
1	35340-MM5-600	SWITCH ASSY., FR. STOP .....	1	1	1	-	-
2	45124-MBT-C41	HOSE, FR. BRAKE MAIN .....	1	1	1	-	-
3	45504-410-003	BOOT COMP. ....	1	1	1	-	-
4	45510-MBT-611	CYLINDER SUB ASSY., FR. MASTER .....	1	1	1	-	-
5	45513-KK1-771	CAP, MASTER CYLINDER .....	1	1	1	-	-
6	45517-166-006	HOLDER, MASTER CYLINDER .....	1	1	1	-	-
7	45518-MG3-016	SEPARATOR COMP. ....	1	1	1	-	-
8	45520-MG7-006	DIAPHRAGM .....	1	1	1	-	-
9	45521-HA2-006	PLATE, DIAPHRAGM .....	1	1	1	-	-
10	45525-MAJ-G41	ROD, PUSH .....	1	1	1	-	-
11	45530-MAJ-G41	PISTON SET, FR. MASTER .....	1	1	1	-	-
12	52115-MBT-D10	CLAMPER, BRAKE HOSE .....	1	1	1	-	-
13	53170-MAT-E01	LEVER ASSY., R. HANDLE .....	1	1	1	-	-
14	53180-MBT-D20ZA	GUARD, R. KNUCKLE .....	1	1	1	-	-
		*NH1*.....BLACK	1	1	1	-	-
15	90114-MN9-006	BOLT, HANDLE LEVER .....	1	1	1	-	-
16	90127-KF0-770	COLLAR, 6X4 .....	1	1	1	-	-
17	90145-MS9-612	BOLT, OIL, 10X22 .....	2	2	2	-	-
18	90545-300-000	WASHER, OIL BOLT .....	4	4	4	-	-
19	90651-MA5-671	CIRCLIP .....	1	1	1	-	-
20	93600-04012-1G	SCREW, FLAT, 4X12 .....	2	2	2	-	-
21	93893-04012-17	SCREW-WASHER, 4X12 .....	1	1	1	-	-
22	94050-06000	NUT, FLANGE, 6MM .....	1	1	1	-	-
23	95701-06012-07	BOLT, FLANGE, 6X12 .....	1	1	1	-	-
24	96001-06022-07	BOLT, FLANGE, 6X22 .....	2	2	2	-	-



**F-4-1**

**FR. BRAKE MASTER CYLINDER (XL1000VA)**

**F 6**



Ref. No.	L.O.N.	(Relative ref. Number) Description	F.R.T.
1	6151B2	SWITCH, FRONT STOP .....	0.1
2	7121A0	HOSE, FRONT BRAKE .....	0.6
		.INCLUDES: Bleed brakes	
5	712105	CYLINDER, FRONT BRAKE MASTER .....	0.4
		.INCLUDES: Bleed brakes	
9	7121G6	DIAPHRAGM, FRONT BRAKE MASTER .....	0.1
12	7121G9	PISTON SET, FRONT BRAKE MASTER .....	0.4
		.INCLUDES: Bleed brakes	
13	8101C7	LEVER, HANDLE :RIGHT .....	0.1
		8101F5 LEVER, HANDLE :BOTH .....	0.2
14	8101E3	GUARD, KNUCKLE :RIGHT .....	0.1

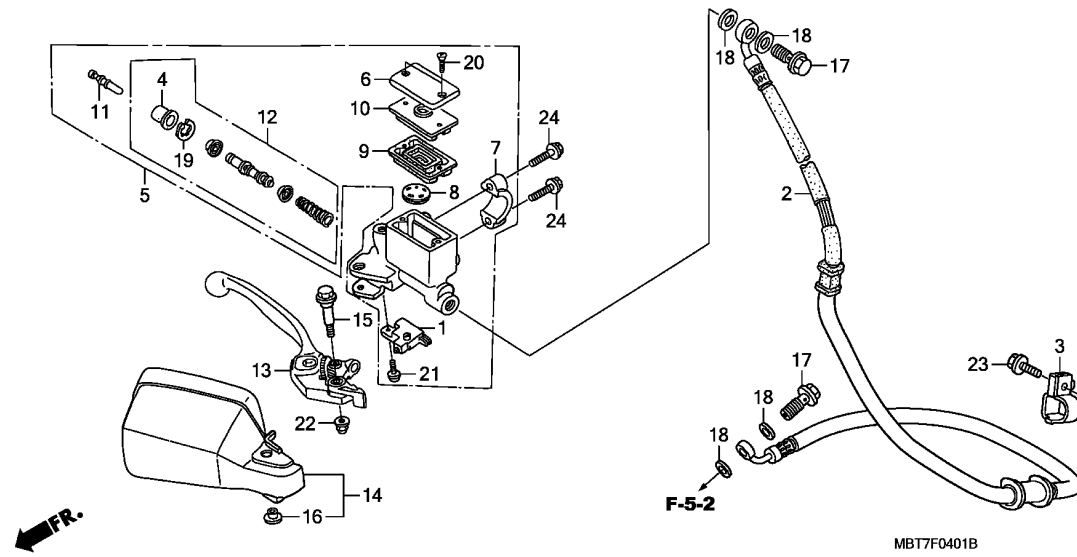
**3**

Ref. No.	Part No.	Description	Reqd. QTY			Serial No.	Parts catalogue code
			XL1000V 7 8 9	XL1000VA 7 8 9			
1	35340-MM5-600	SWITCH ASSY., FR. STOP .....	-	-	-	1 1 1	
2	45124-MBT-D51	HOSE COMP., FR. MASTER CYLINDER JOINT	-	-	-	1 1 1	
3	45171-MBT-D50	CLAMPER C, BRAKE HOSE .....	-	-	-	1 1 1	
4	45504-410-003	BOOT COMP. ....	-	-	-	1 1 1	
5	45510-MBT-611	CYLINDER SUB ASSY., FR. MASTER	-	-	-	1 1 1	
6	45513-KK1-771	CAP, MASTER CYLINDER .....	-	-	-	1 1 1	
7	45517-166-006	HOLDER, MASTER CYLINDER .....	-	-	-	1 1 1	
8	45518-MG3-016	SEPARATOR COMP. ....	-	-	-	1 1 1	
9	45520-MG7-006	DIAPHRAGM .....	-	-	-	1 1 1	
10	45521-HA2-006	PLATE, DIAPHRAGM .....	-	-	-	1 1 1	
11	45525-MAJ-G41	ROD, PUSH .....	-	-	-	1 1 1	
12	45530-MAJ-G41	PISTON SET, FR. MASTER CYLINDER	-	-	-	1 1 1	
13	53170-MAT-E01	LEVER ASSY., R. HANDLE .....	-	-	-	1 1 1	
14	53180-MBT-D20ZA	GUARD, R. KNUCKLE *NH1*.....BLACK	-	-	-	1 1 1	
15	90114-MN9-006	BOLT, HANDLE LEVER .....	-	-	-	1 1 1	
16	90127-KF0-770	COLLAR, 6X4 .....	-	-	-	1 1 1	
17	90145-MS9-612	BOLT, OIL, 10X22 .....	-	-	-	2 2 2	
18	90545-300-000	WASHER, OIL BOLT .....	-	-	-	4 4 4	
19	90651-MA5-671	CIRCLIP .....	-	-	-	1 1 1	
20	93600-04012-1G	SCREW, FLAT, 4X12 .....	-	-	-	2 2 2	
21	93893-04012-17	SCREW-WASHER, 4X12 .....	-	-	-	1 1 1	
22	94050-06000	NUT, FLANGE, 6MM .....	-	-	-	1 1 1	

**F-4-1**

**FR. BRAKE MASTER CYLINDER (XL1000VA)**

**F 7**



Ref. No.	Part No.	Description	Reqd. QTY						Serial No.	Parts catalogue code
			XL1000V			XL1000VA				
			7	8	9	7	8	9		
23	95701-06012-07	BOLT, FLANGE, 6X12 .....	-	-	-	1	1	1		
24	96001-06022-07	BOLT, FLANGE, 6X22 .....	-	-	-	2	2	2		

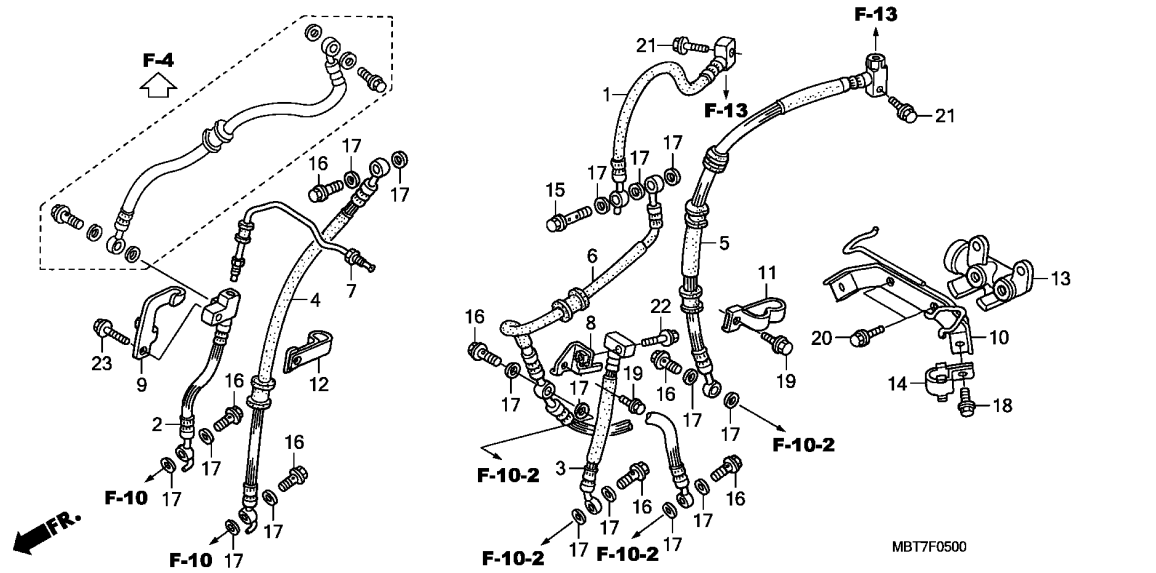
**3**



F-5

DELAY VALVE (XL1000V)

F 8



Ref. No.	L.O.N.	(Relative ref. Number) Description	F.R.T.
1	712110	HOSE, FRONT BRAKE :UPPER ..... .INCLUDES: Bleed brakes	0.9
2	7121H7	HOSE, FRONT BRAKE MAIN :RIGHT .INCLUDES: Bleed brakes	0.5
3	7121H6	HOSE, FRONT BRAKE MAIN :LEFT . .INCLUDES: Bleed brakes	0.5
4	7121A2	HOSE, FRONT BRAKE :RIGHT ..... .INCLUDES: Bleed brakes	0.7
5	712112	HOSE, FRONT BRAKE SECOND MASTER CYLINDER ..... .INCLUDES: Bleed brakes	0.9
6	7121A1	HOSE, FRONT BRAKE :LEFT ..... .INCLUDES: Bleed brakes	0.9
7	7121H8	PIPE, FRONT BRAKE JOINT MAIN . .INCLUDES: Bleed brakes	0.5
13	712165	VALVE, DELAY ..... .INCLUDES: Bleed brakes	0.7

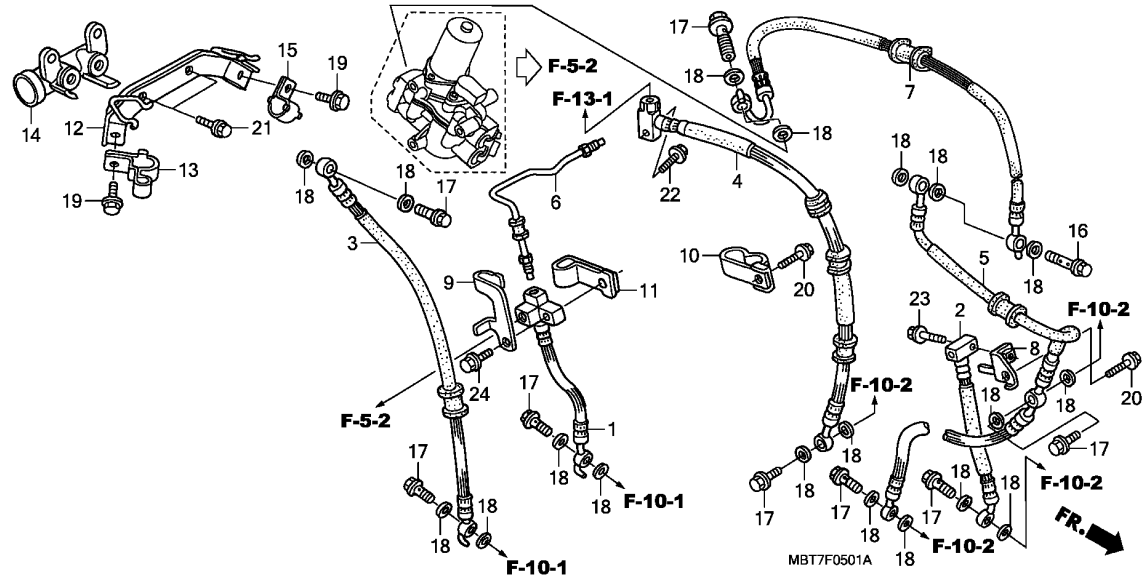
3

Ref. No.	Part No.	Description	Reqd. QTY						Serial No.	Parts catalogue code
			XL1000V			XL1000VA				
			7	8	9	7	8	9		
1	45123-MBT-D21	HOSE, FR. BRAKE UPPER .....	1	1	1	-	-	-		
2	45125-MBT-D51	HOSE, R. FR. BRAKE MAIN .....	1	1	1	-	-	-		
3	45126-MBT-C41	HOSE, L. FR. BRAKE MAIN .....	1	1	1	-	-	-		
4	45127-MBT-D51	SUB HOSE, R. FR. BRAKE .....	1	1	1	-	-	-		
5	45128-MBT-D51	HOSE, SECOND MASTER CYLINDER	1	1	1	-	-	-		
6	45129-MBT-D51	SUB HOSE, L. FR. BRAKE .....	1	1	1	-	-	-		
7	45130-MBT-610	PIPE, BRAKE JOINT MAIN .....	1	1	1	-	-	-		
8	45155-MBT-D10	STAY, FR. BRAKE PIPE .....	1	1	1	-	-	-		
9	45156-MBT-D10	CLAMPER, FR. BRAKE PIPE .....	1	1	1	-	-	-		
10	45157-MBT-D10	STAY, FR. BRAKE HOSE CLAMP ..	1	1	1	-	-	-		
11	45158-MBT-D10	CLAMPER, BRAKE HOSE .....	1	1	1	-	-	-		
12	45161-MBT-D10	CLAMPER, BRAKE HOSE .....	1	1	1	-	-	-		
13	46300-MBT-612	VALVE ASSY., DELAY .....	1	1	1	-	-	-		
14	52115-MBT-D10	CLAMPER, BRAKE HOSE .....	1	1	1	-	-	-		
15	90145-MR8-014	BOLT, OIL, 10X34 .....	1	1	1	-	-	-		
16	90145-MS9-612	BOLT, OIL, 10X22 .....	7	7	7	-	-	-		
17	90545-300-000	WASHER, OIL BOLT .....	17	17	17	-	-	-		
18	95701-06012-07	BOLT, FLANGE, 6X12 .....	1	1	1	-	-	-		
19	95701-06016-07	BOLT, FLANGE, 6X16 .....	2	2	2	-	-	-		
20	95701-06020-07	BOLT, FLANGE, 6X20 .....	2	2	2	-	-	-		
21	95801-06022-07	BOLT, FLANGE, 6X22 .....	2	2	2	-	-	-		
22	95801-06025-07	BOLT, FLANGE, 6X25 .....	1	1	1	-	-	-		
23	95801-06030-07	BOLT, FLANGE, 6X30 .....	1	1	1	-	-	-		

# F-5-1

# DELAY VALVE (XL1000VA)

**F 9**



Ref. No.	L.O.N.	(Relative ref. Number) Description	F.R.T.
1	7121H7	HOSE, FRONT BRAKE MAIN :RIGHT .INCLUDES: Bleed brakes	0.5
2	7121H6	HOSE, FRONT BRAKE MAIN :LEFT .INCLUDES: Bleed brakes	0.5
3	7121J0	HOSE, FRONT BRAKE SUB :RIGHT .INCLUDES: Bleed brakes	0.7
4	712112	HOSE, FRONT BRAKE SECOND MASTER CYLINDER .INCLUDES: Bleed brakes	1.0
5	7121H9	HOSE, FRONT BRAKE SUB :LEFT .INCLUDES: Bleed brakes	0.9
6	7121H8	PIPE, FRONT BRAKE JOINT MAIN .INCLUDES: Bleed brakes	0.5
7	7121K0	HOSE, FRONT ABS JOINT(A) .INCLUDES: Bleed brakes	0.9
14	712165	VALVE, DELAY .INCLUDES: Bleed brakes	0.7

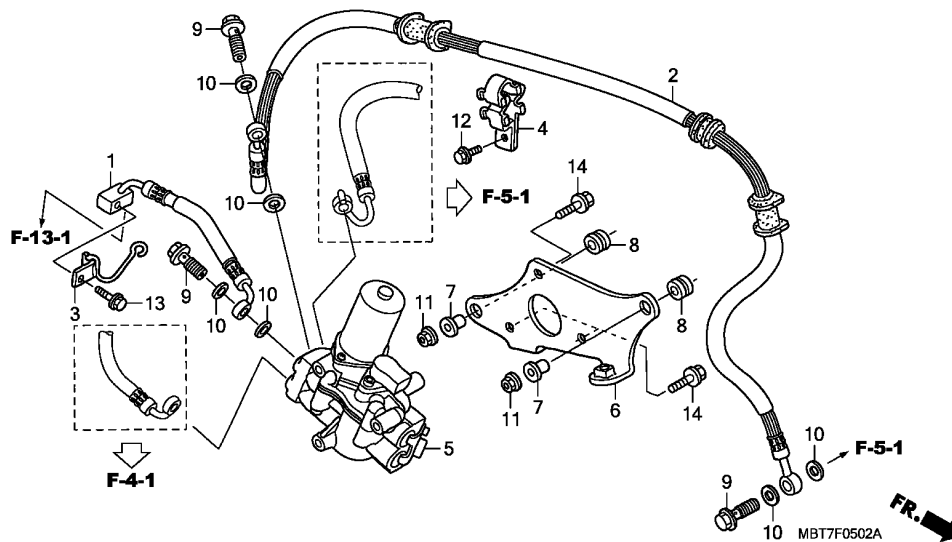
Ref. No.	Part No.	Description	Reqd. QTY			Serial No.	Parts catalogue code	
			XL1000V	XL1000VA				
			7	8	9	7	8	9
1	45125-MBT-D51	HOSE, R. FR. BRAKE MAIN .....	-	-	-	1	1	1
2	45126-MBT-D51	HOSE, L. FR. BRAKE MAIN .....	-	-	-	1	1	1
3	45127-MBT-D51	SUB HOSE, R. FR. BRAKE .....	-	-	-	1	1	1
4	45128-MBT-D51	HOSE, SECOND MASTER CYLINDER .....	-	-	-	1	1	1
5	45129-MBT-D51	SUB HOSE, L. FR. BRAKE .....	-	-	-	1	1	1
6	45130-MBT-610	PIPE, BRAKE JOINT MAIN .....	-	-	-	1	1	1
7	45144-MBT-D51	HOSE B, FR. ABS UNIT JOINT ..	-	-	-	1	1	1
8	45155-MBT-D10	STAY, FR. BRAKE PIPE .....	-	-	-	1	1	1
9	45156-MBT-D10	CLAMPER, FR. BRAKE PIPE .....	-	-	-	1	1	1
10	45158-MBT-D10	CLAMPER, BRAKE HOSE .....	-	-	-	1	1	1
11	45161-MBT-D10	CLAMPER, BRAKE HOSE .....	-	-	-	1	1	1
12	45167-MBT-D50	STAY, FR. BRAKE HOSE CLAMPER .....	-	-	-	1	1	1
13	45172-MBT-D50	CLAMPER D, BRAKE HOSE .....	-	-	-	1	1	1
14	46300-MBT-612	VALVE ASSY., DELAY .....	-	-	-	1	1	1
15	52115-MBT-D10	CLAMPER, BRAKE HOSE .....	-	-	-	1	1	1
16	90145-MR8-014	BOLT, OIL, 10X34 .....	-	-	-	1	1	1
17	90145-MS9-612	BOLT, OIL, 10X22 .....	-	-	-	8	8	8
18	90545-300-000	WASHER, OIL BOLT .....	-	-	-	19	19	19
19	95701-06012-07	BOLT, FLANGE, 6X12 .....	-	-	-	2	2	2
20	95701-06016-07	BOLT, FLANGE, 6X16 .....	-	-	-	2	2	2
21	95701-06020-07	BOLT, FLANGE, 6X20 .....	-	-	-	2	2	2
22	95801-06022-07	BOLT, FLANGE, 6X22 .....	-	-	-	1	1	1
23	95801-06025-07	BOLT, FLANGE, 6X25 .....	-	-	-	1	1	1
24	95801-06030-07	BOLT, FLANGE, 6X30 .....	-	-	-	1	1	1

**3**

# F-5-2

# ABS UNIT(FRONT)

**F10**



Ref. No.	L.O.N.	(Relative ref. Number) Description	F.R.T.
1	7121F7	HOSE, FRONT ABS JOINT ..... .INCLUDES: Bleed brakes	1.1
2	7121J1	HOSE, FRONT BRAKE SUB ..... .INCLUDES: Bleed brakes	0.6
5	7111E3	MODULATOR, ABS :FRONT ..... .INCLUDES: Bleed brakes	1.3

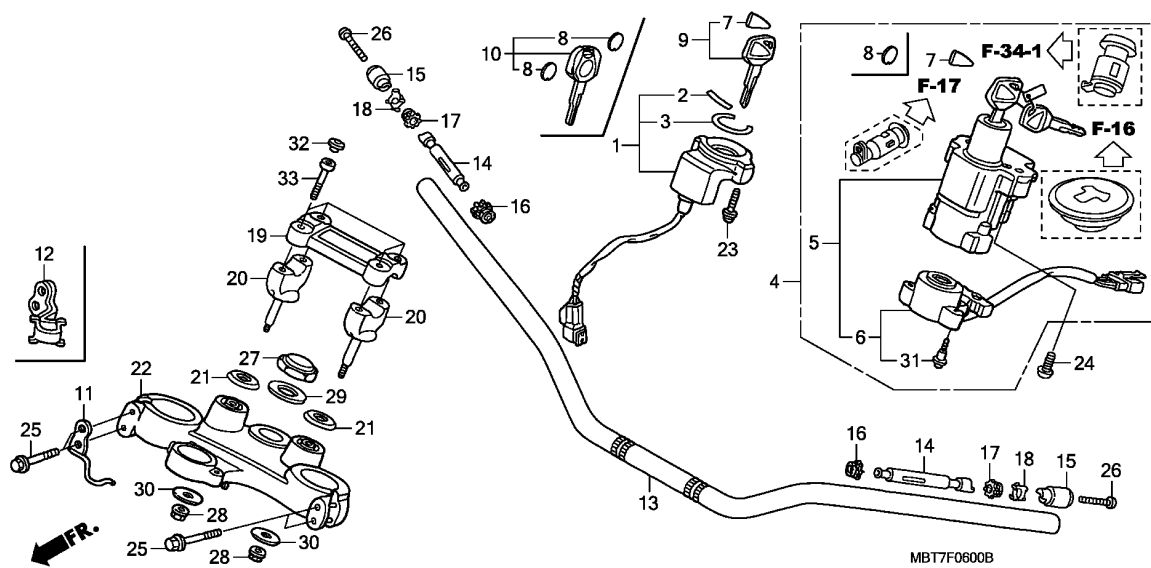
**3**

Ref. No.	Part No.	Description	Reqd. QTY						Serial No.	Parts catalogue code
			XL1000V			XL1000VA				
			7	8	9	7	8	9		
1	45123-MBT-D51	HOSE A, FR. ABS UNIT JOINT ..	-	-	-	1	1	1		
2	45143-MBT-D51	SUB HOSE, FR. BRAKE .....	-	-	-	1	1	1		
3	45162-MBT-D50	GUIDE, FR. BRAKE HOSE .....	-	-	-	1	1	1		
4	45175-MBT-D50	CLAMPER B, BRAKE HOSE .....	-	-	-	1	1	1		
5	57100-MCW-D11	MODULATOR ASSY., ABS .....	-	-	-	1	1	1		
6	57401-MBT-D50	STAY, FR. MODULATOR .....	-	-	-	1	1	1		
7	83505-KGB-610	COLLAR, COVER MOUNTING .....	-	-	-	2	2	2		
8	84905-459-670	RUBBER A, NUMBER BRACKET CUSHION	-	-	-	2	2	2		
9	90145-MS9-612	BOLT, OIL, 10X22 .....	-	-	-	3	3	3		
10	90545-300-000	WASHER, OIL BOLT .....	-	-	-	6	6	6		
11	94050-06070	NUT, FLANGE, 6MM .....	-	-	-	2	2	2		
12	95701-06012-07	BOLT, FLANGE, 6X12 .....	-	-	-	1	1	1		
13	95801-06028-07	BOLT, FLANGE, 6X28 .....	-	-	-	1	1	1		
14	96001-06016-07	BOLT, FLANGE, 6X16 .....	-	-	-	3	3	3		

F-6

HANDLE PIPE/TOP BRIDGE

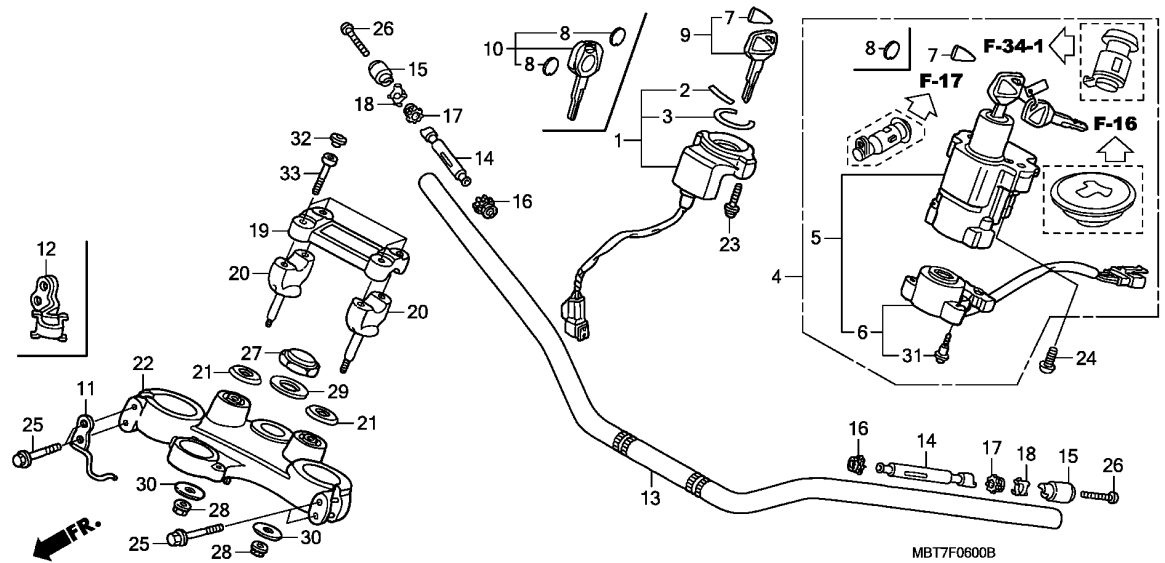
F11



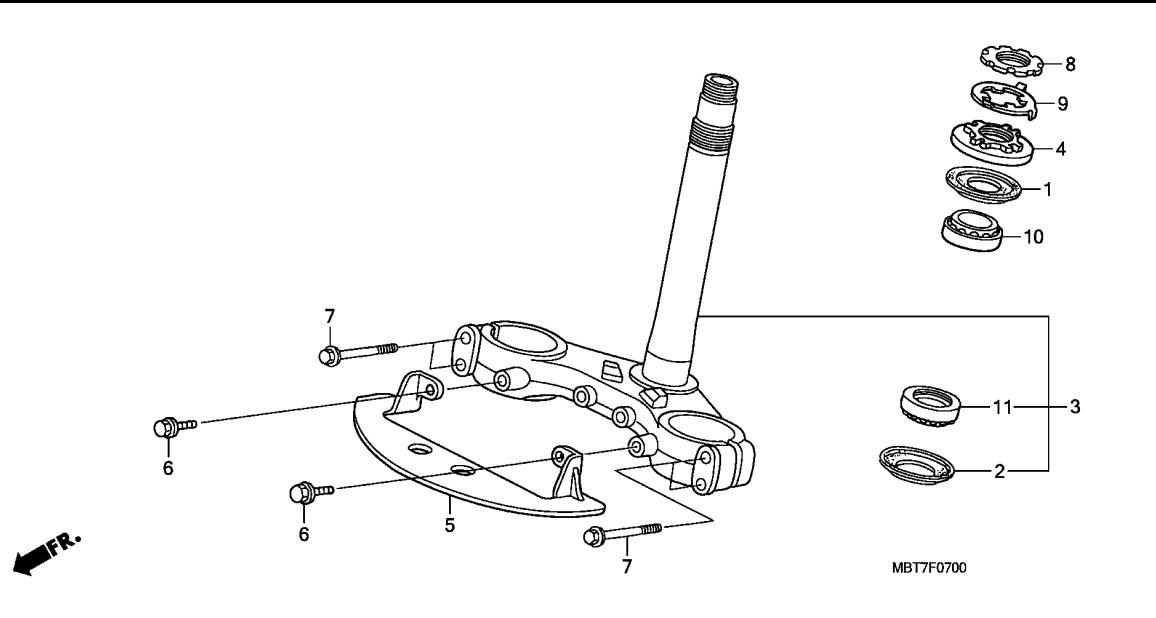
Ref. No.	L.O.N.	(Relative ref. Number) Description	F.R.T.
1	6141A2	RECEIVER UNIT, IMMOBILIZER ...	0.3
	6141A2A	.ABS add .....	0.6
4	6151A1	KEY SET .....	1.3
5	615145	SWITCH, COMBINATION & LOCK ...	1.2
6	6151C2	BASE, CONTACT .....	0.6
9		(10)	
	6151D9	KEY, BLANK .....	0.4
		.EXCLUDES: Key cutting	
13	810100	PIPE, STEERING HANDLE .....	0.6
14	8101D6	WEIGHT B, HANDLE :LEFT .....	0.2
	8101D7	WEIGHT B, HANDLE :RIGHT .....	0.2
	8101D8	WEIGHT B, HANDLE :BOTH .....	0.4
20	8101B9	HOLDER, HANDLE :LOWER .....	0.4
	8101B9A	.Replace 1 handle holder add ..	0.1
22	510110	BRIDGE, FORK TOP .....	0.7

Ref. No.	Part No.	Description	Reqd. QTY						Serial No.	Parts catalogue code
			XL1000V			XL1000VA				
			7	8	9	7	8	9		
1	30430-MBT-407	RECEIVER UNIT SET (CALSONIC KANSEI)	1	1	-	-	-	-		
	30430-MBT-408	.....	-	-	-	1	1	-		
	30430-MBT-P00	RECEIVER UNIT SET (HONDA LOCK)	-	1	1	-	-	-		
	30430-MBT-P10	.....	-	-	-	-	1	1		
2	30432-MBW-E00	MARK, RECEIVER .....	1	1	-	1	1	-		
3	30433-MBW-601	SEAL, IGNITION SWITCH .....	1	1	-	1	1	-		
4	35010-MBT-C40	KEY SET .....	1	1	1	1	1	1	-----	E,ED,EK
	35010-MBT-R40	.....	1	1	1	1	1	1	-----	F
5	35100-MBT-C40	SWITCH ASSY., COMBINATION & LOCK	1	1	1	1	1	1	-----	E,ED,EK
	35100-MBT-R40	.....	1	1	1	1	1	1	-----	F
6	35101-MBT-C40	BASE COMP., CONTACT .....	1	1	1	1	1	1		
7	35113-MBW-601	EMBLEM .....	(1)	(1)	(1)	(1)	(1)	(1)	-----	E,ED,EK
		.....	2	2	2	2	2	2	-----	E,ED,EK
8	35113-MFJ-D01	EMBLEM, KEY .....	(2)	(2)	(2)	(2)	(2)	(2)	-----	F
		.....	4	4	4	4	4	4	-----	F
9	35121-MBW-601	KEY, BLANK .....	(1)	(1)	(1)	(1)	(1)	(1)	-----	E,ED,EK
10	35121-MFJ-D00	KEY, BLANK .....	(1)	(1)	(1)	(1)	(1)	(1)	-----	F
11	45160-MBT-C40	GUIDE COMP., FR. BRAKE HOSE ..	1	1	1	-	-	-		
12	45161-MBT-D50	CLAMPER A, BRAKE HOSE .....	-	-	-	1	1	1		
13	53100-MBT-D20	BAR, STEERING HANDLE .....	1	1	1	1	1	1		
14	53104-MK4-620	WEIGHT B, HANDLE .....	2	2	2	2	2	2		
15	53105-MY1-010	WEIGHT, STEERING HANDLE .....	2	2	2	2	2	2		
16	53106-KR3-770	RUBBER A, HANDLE WEIGHT .....	2	2	2	2	2	2		
17	53107-MB6-630	RUBBER B, HANDLE WEIGHT .....	2	2	2	2	2	2		





Ref. No.	Part No.	Description	Reqd. QTY						Serial No.	Parts catalogue code
			XL1000V			XL1000VA				
			7	8	9	7	8	9		
18	53108-KR3-940	RING, HANDLE WEIGHT SNAP .....	2	2	2	2	2	2		
19	53131-MBT-D20	HOLDER, HANDLE UPPER .....	1	1	1	1	1	1		
20	53132-MBT-D20	HOLDER, HANDLE UNDER .....	2	2	2	2	2	2		
21	53135-MS8-000	CAP, HANDLE PIPE .....	2	2	2	2	2	2		
22	53300-MBT-D20	BRIDGE COMP., FORK TOP .....	1	1	1	1	1	1		
23	90020-MBW-610	SCREW-WASHER, 5X22 .....	2	2	2	2	2	2		
24	90107-MBG-000	BOLT, ONE-WAY, 8MM .....	2	2	2	2	2	2		
25	90109-MR7-000	BOLT, FLANGE, 8X45 .....	4	4	4	4	4	4		
26	90191-MJ0-000	SCREW, OVAL, 6X50 .....	2	2	2	2	2	2		
27	90304-415-000	NUT, STEERING STEM .....	1	1	1	1	1	1		
28	90309-KF0-003	NUT, FLANGE, 8MM .....	2	2	2	2	2	2		
29	90503-283-000	WASHER, STEERING STEM .....	1	1	1	1	1	1		
30	90535-KB9-000	WASHER, HANDLE CUSHION .....	2	2	2	2	2	2		
31	91059-KY2-711	SCREW, TAPPING, 3X16 .....	3	3	3	3	3	3		
32	91456-MW3-600	CAP, SOCKET BOLT, 8MM .....	4	4	4	4	4	4		
33	96600-08032-00	BOLT, SOCKET, 8X32 .....	4	4	4	4	4	4		



Ref. No.	L.O.N.	(Relative ref. Number) Description	F.R.T.
3	510100	STEM OR SHAFT ASSY., STEERING	1.5
4	5101B2	THREAD, STEERING HEAD TOP ....	0.6
5	4131D0	PROTECTOR, WIND .....	0.1
10	5101B6	BEARING, HEAD PIPE :UPPER ....	1.5
	5101C7	BEARING, HEAD PIPE :BOTH .....	1.7
11	5101B7	BEARING, HEAD PIPE :LOWER ....	1.7
	5101C7	BEARING, HEAD PIPE :BOTH .....	1.7

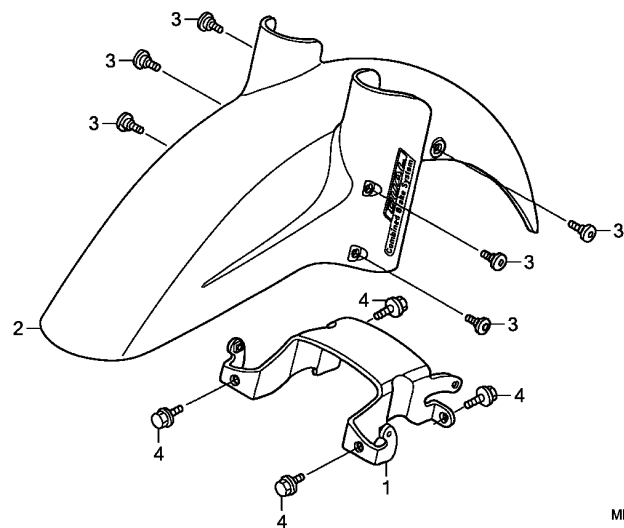
Ref. No.	Part No.	Description	Reqd. QTY						Serial No.	Parts catalogue code
			XL1000V			XL1000VA				
			7	8	9	7	8	9		
1	53213-MB4-771	DUST SEAL, STEERING HEAD (ARAI)	1	1	1	1	1	1		
2	53214-371-010	DUST SEAL, STEERING HEAD ....	1	1	1	1	1	1		
3	53219-MBT-D20	STEM SUB ASSY., STEERING	1	1	1	1	1	1		
4	53220-MW0-000	THREAD COMP., STEERING HEAD TOP	1	1	1	1	1	1		
5	61120-MBT-D50	PLATE, AIR GUIDE .....	1	1	1	1	1	1		
6	90020-ZV0-000	BOLT, FLANGE, 6X10 .....	2	2	2	2	2	2		
7	90109-MR7-000	BOLT, FLANGE, 8X45 .....	4	4	4	4	4	4		
8	90302-425-830	THREAD B, STEERING HEAD TOP .	1	1	1	1	1	1		
9	90506-MBL-610	WASHER .....	1	1	1	1	1	1		
10	91015-KT8-005	BEARING, HEAD PIPE UPPER (KOYO)	1	1	1	1	1	1		
11	91016-KT8-005	BEARING, HEAD PIPE UNDER (KOYO)	1	1	1	1	1	1		



F-8

FRONT FENDER

F14



Ref. No.	L.O.N.	(Relative ref. Number) Description	F.R.T.
1	4131C2	STAY, FRONT FENDER .....	0.4
2	4131B7	FENDER, FRONT .....	0.3

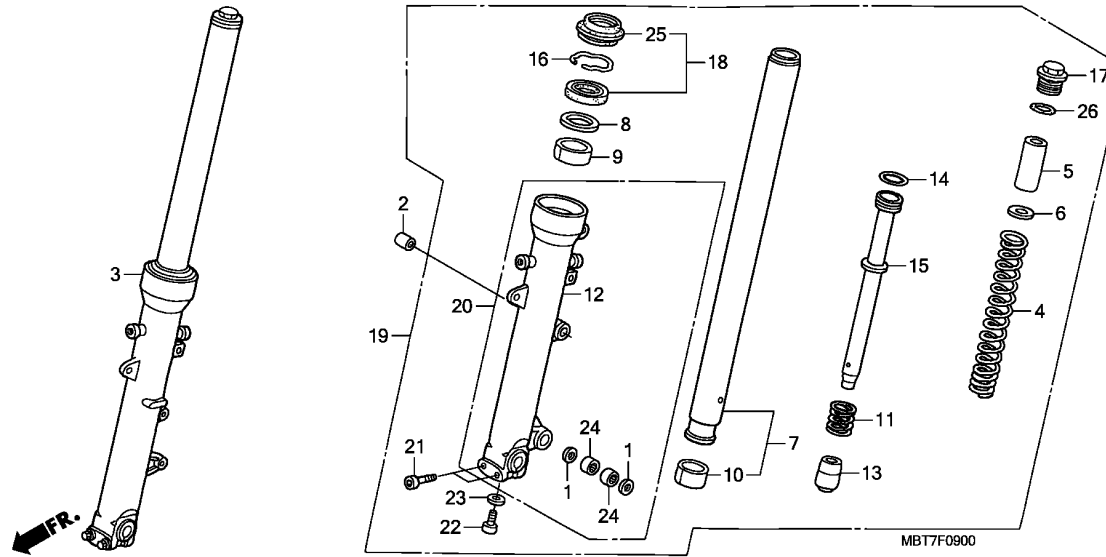
3

Ref. No.	Part No.	Description	Reqd. QTY						Serial No.	Parts catalogue code
			XL1000V			XL1000VA				
			7	8	9	7	8	9		
1	53240-MBT-D10	BRACE, FR. FORK .....	1	1	1	1	1	1		
2	61110-MBT-C40ZB	FENDER SET, FR. (WL)								
	*NHA65P	1*								
	61110-MBT-C50ZA	PEARL CONCOURS BLACK	1	1	1	-	-	-		
	*NHA65P*.PEARL	CONCOURS BLACK	-	-	-	1	1	1		
3	90106-KY2-701	SCREW, PAN, 6X11 .....	6	6	6	6	6	6		
4	95701-06012-07	BOLT, FLANGE, 6X12 .....	4	4	4	4	4	4		

F-9

FRONT FORK (XL1000V)

F15



Ref. No.	L.O.N.	(Relative ref. Number) Description	F.R.T.
3	5111C3	FORK ASSY., FRONT :RIGHT .....	0.6
	5111C4	FORK ASSY., FRONT :BOTH .....	0.8
4	5111C5	SPRING, FRONT FORK :LEFT .....	0.8
	5111C6	SPRING, FRONT FORK :RIGHT .....	0.8
	5111C7	SPRING, FRONT FORK :BOTH .....	1.0
7	5111G2	PIPE, FRONT FORK :LEFT .....	1.2
	5111G3	PIPE, FRONT FORK :RIGHT .....	1.2
	5111G4	PIPE, FRONT FORK :BOTH .....	2.1
12	5111D2	CASE, BOTTOM :RIGHT .....	1.2
	5111D3	CASE, BOTTOM :BOTH .....	2.1
15		(14)	
	5111E1	PIPE, SEAT :LEFT .....	1.1
	5111E2	PIPE, SEAT :RIGHT .....	1.1
	5111E3	PIPE, SEAT :BOTH .....	1.9
18		(8,9,10)	
	5111E7	SEAL SET, FRONT FORK :LEFT ...	1.1
	5111E8	SEAL SET, FRONT FORK :RIGHT ...	1.1
	5111E9	SEAL SET, FRONT FORK :BOTH ...	1.9
19	5111C2	FORK ASSY., FRONT :LEFT .....	0.6
	5111C4	FORK ASSY., FRONT :BOTH .....	0.8
20	5111D1	CASE, BOTTOM :LEFT .....	1.2
	5111D3	CASE, BOTTOM :BOTH .....	2.1
24	5111F6	BEARING, BOTTOM CASE .....	1.4

.NOTE: Same time for two units

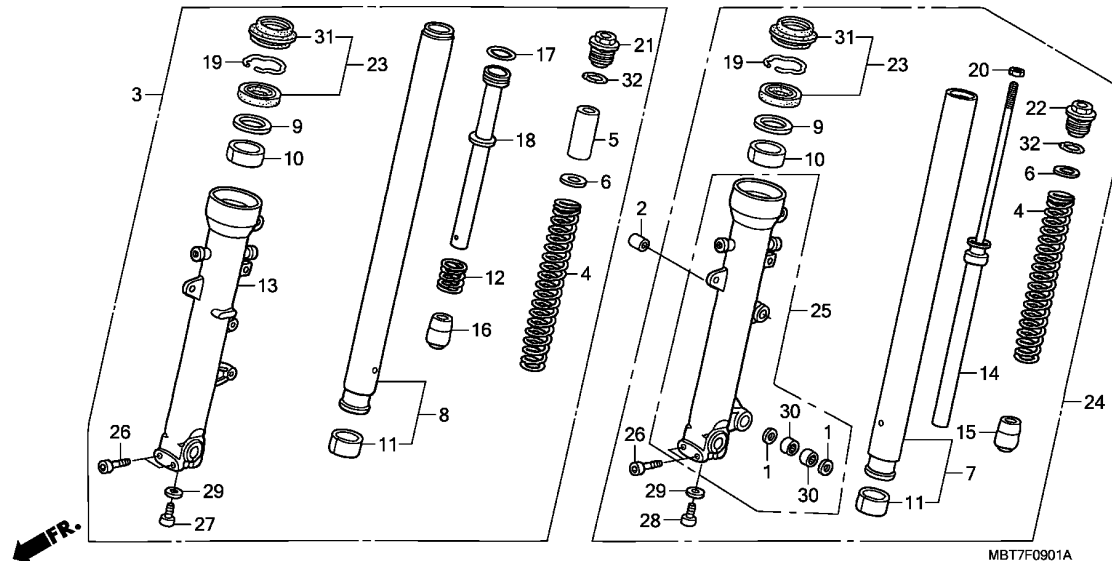
Ref. No.	Part No.	Description	Reqd. QTY						Serial No.	Parts catalogue code
			XL1000V			XL1000VA				
			7	8	9	7	8	9		
1	45134-KB7-005	DUST SEAL, BRAKE CAM (NOK) ..	2	2	2	-	-	-		
2	45452-MZ2-000	COLLAR, PIVOT .....	1	1	1	-	-	-		
3	51400-MBT-C41	FORK ASSY., R. FR. ....	1	1	1	-	-	-		
4	51401-MBT-C41	SPRING, FR. FORK .....	2	2	2	-	-	-		
5	51402-MZ1-003	COLLAR, SPRING .....	2	2	2	-	-	-		
6	51405-KA4-711	SEAT, SPRING .....	2	2	2	-	-	-		
7	51410-MBT-611	PIPE COMP., FR. FORK .....	2	2	2	-	-	-		
8	51412-KA4-711	RING, BACK UP .....	2	2	2	-	-	-		
9	51414-MAZ-003	BUSH, GUIDE .....	2	2	2	-	-	-		
10	51415-MAZ-003	BUSH, SLIDER .....	2	2	2	-	-	-		
11	51416-MBT-D21	SPRING, FR. REBOUND .....	2	2	2	-	-	-		
12	51420-MBT-D21	CASE, R. BOTTOM .....	1	1	1	-	-	-		
13	51432-MV9-003	PIECE, OIL LOCK .....	2	2	2	-	-	-		
14	51437-MAZ-003	RING, PISTON .....	2	2	2	-	-	-		
15	51440-MBT-D21	PIPE, SEAT .....	2	2	2	-	-	-		
16	51447-KA4-711	RING, OIL SEAL STOPPER .....	2	2	2	-	-	-		
17	51454-MAY-003	BOLT, FR. FORK .....	2	2	2	-	-	-		
18	51490-MEJ-003	SEAL SET, FR. FORK .....	2	2	2	-	-	-		
19	51500-MBT-C41	FORK ASSY., L. FR. ....	1	1	1	-	-	-		
20	51520-MBT-D21	CASE COMP., L. BOTTOM .....	1	1	1	-	-	-		
21	90109-MBT-D20	BOLT, SOCKET, 8X45 .....	4	4	4	-	-	-		
22	90116-KV3-701	BOLT, SOCKET, 8MM .....	2	2	2	-	-	-		
23	90544-283-000	WASHER, SPECIAL, 8MM .....	2	2	2	-	-	-		
24	91101-KG8-003	BEARING, NEEDLE, 14X20X12 ...	2	2	2	-	-	-		
25	91254-MEJ-003	DUST SEAL .....	2	2	2	-	-	-		
26	91356-KA4-711	O-RING, 35.2X2.4 .....	2	2	2	-	-	-		



F-9-1

FRONT FORK (XL1000VA)

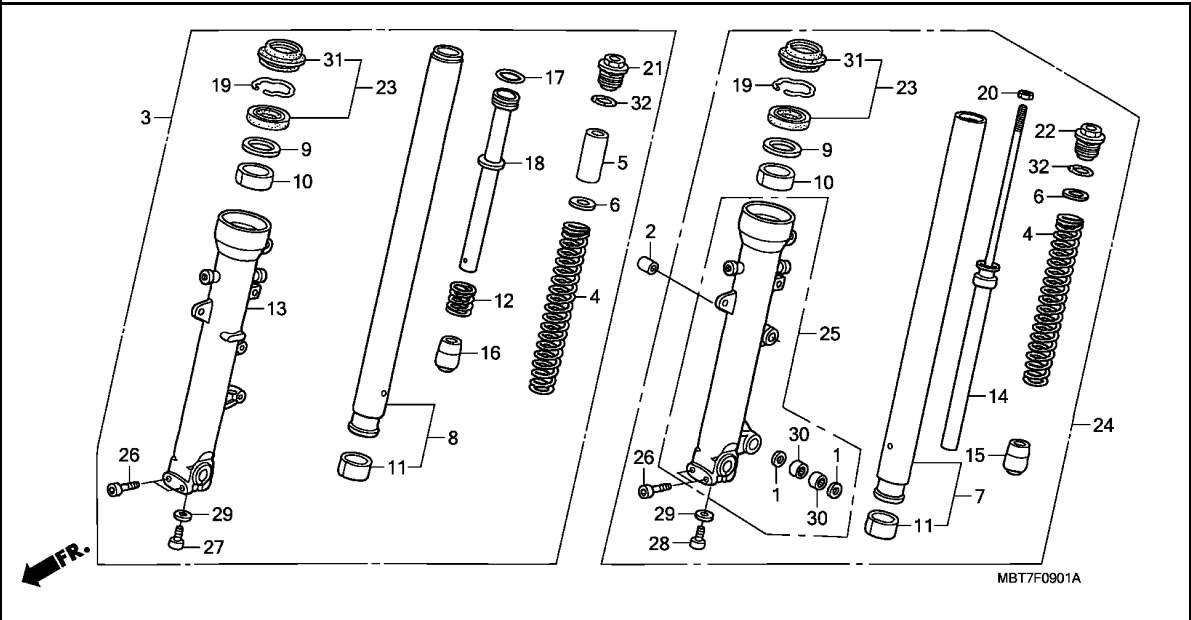
F16



Ref. No.	L.O.N.	(Relative ref. Number) Description	F.R.T.
3	5111C3	FORK ASSY., FRONT :RIGHT	0.6
	5111C4	FORK ASSY., FRONT :BOTH	0.8
4	5111C5	SPRING, FRONT FORK :LEFT	0.8
	5111C6	SPRING, FRONT FORK :RIGHT	0.8
	5111C7	SPRING, FRONT FORK :BOTH	1.0
7	5111G2	PIPE, FRONT FORK :LEFT	1.2
	5111G4	PIPE, FRONT FORK :BOTH	2.1
8	5111G3	PIPE, FRONT FORK :RIGHT	1.2
	5111G4	PIPE, FRONT FORK :BOTH	2.1
13	5111D2	CASE, BOTTOM :RIGHT	1.2
	5111D3	CASE, BOTTOM :BOTH	2.1
14	5111D8	DAMPER, FRONT FORK :LEFT	1.1
18		(12,16,17)	
	5111E2	PIPE, SEAT :RIGHT	1.1
23		(9,10,11)	
	5111E7	SEAL SET, FRONT FORK :LEFT	1.1
	5111E8	SEAL SET, FRONT FORK :RIGHT	1.1
	5111E9	SEAL SET, FRONT FORK :BOTH	1.9
24	5111C2	FORK ASSY., FRONT :LEFT	0.6
	5111C4	FORK ASSY., FRONT :BOTH	0.8
25	5111D1	CASE, BOTTOM :LEFT	1.2
	5111D3	CASE, BOTTOM :BOTH	2.1
30	5111F6	BEARING, BOTTOM CASE	1.4
		.NOTE: Same time for two units	

Ref. No.	Part No.	Description	Reqd. QTY						Serial No.	Parts catalogue code
			XL1000V			XL1000VA				
			7	8	9	7	8	9		
1	45134-KB7-005	DUST SEAL, BRAKE CAM (NOK)	-	-	-	2	2	2		
2	45452-MZ2-000	COLLAR, PIVOT	-	-	-	1	1	1		
3	51400-MBT-C51	FORK ASSY., R. FR.	-	-	-	1	1	1		
4	51401-MBT-C51	SPRING, FR. FORK	-	-	-	2	2	2		
5	51402-MBT-D51	COLLAR, SPRING	-	-	-	1	1	1		
6	51405-KA4-711	SEAT, SPRING	-	-	-	2	2	2		
7	51410-MBT-D51	PIPE COMP., FR. FORK	-	-	-	1	1	1		
8	51410-MBT-611	PIPE COMP., FR. FORK	-	-	-	1	1	1		
9	51412-KA4-711	RING, BACK UP	-	-	-	2	2	2		
10	51414-MAZ-003	BUSH, GUIDE	-	-	-	2	2	2		
11	51415-MAZ-003	BUSH, SLIDER	-	-	-	2	2	2		
12	51416-MBT-D21	SPRING, FR. REBOUND	-	-	-	1	1	1		
13	51420-MBT-D21	CASE, R. BOTTOM	-	-	-	1	1	1		
14	51430-MBT-D51	DAMPER COMP., FR.	-	-	-	1	1	1		
15	51432-MS2-003	PIECE, OIL LOCK	-	-	-	1	1	1		
16	51432-MV9-003	PIECE, OIL LOCK	-	-	-	1	1	1		
17	51437-MAZ-003	RING, PISTON	-	-	-	1	1	1		
18	51440-MBT-D21	PIPE, SEAT	-	-	-	1	1	1		
19	51447-KA4-711	RING, OIL SEAL STOPPER	-	-	-	2	2	2		
20	51451-MAJ-G41	NUT, HEX., 10MM	-	-	-	1	1	1		
21	51454-MAY-003	BOLT, FR. FORK	-	-	-	1	1	1		
22	51454-MZ1-003	BOLT, FR. FORK	-	-	-	1	1	1		
23	51490-MEJ-003	SEAL SET, FR. FORK	-	-	-	2	2	2		
24	51500-MBT-C51	FORK ASSY., L. FR.	-	-	-	1	1	1		
25	51520-MBT-D21	CASE COMP., L. BOTTOM	-	-	-	1	1	1		

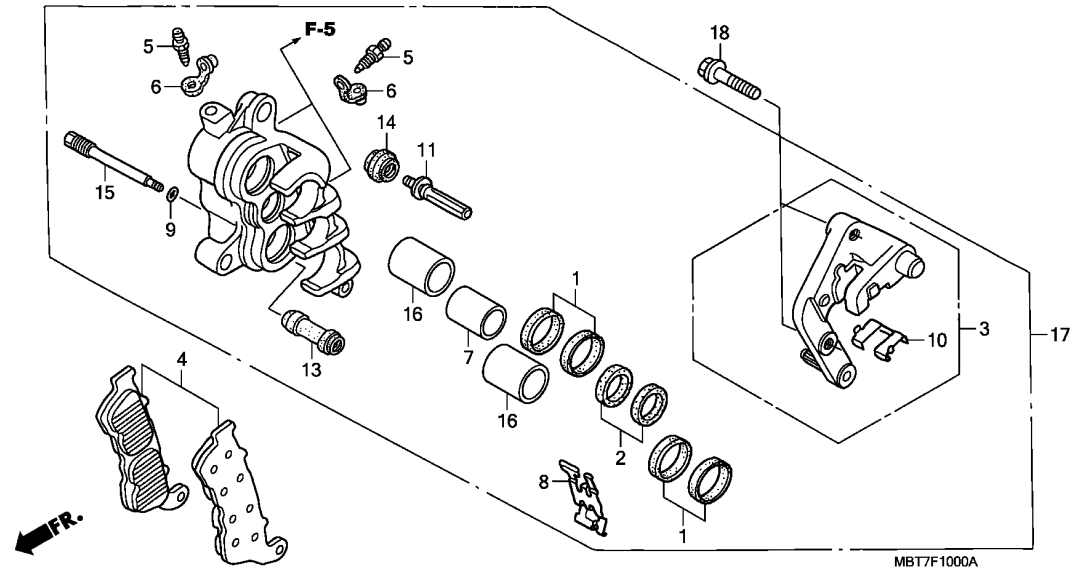
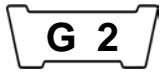
3



Ref. No.	Part No.	Description	Reqd. QTY						Serial No.	Parts catalogue code
			XL1000V			XL1000VA				
			7	8	9	7	8	9		
26	90109-MBT-D20	BOLT, SOCKET, 8X45 .....	-	-	-	4	4	4		
27	90116-KV3-701	BOLT, SOCKET, 8MM .....	-	-	-	1	1	1		
28	90116-383-721	BOLT, SOCKET, 8X27 .....	-	-	-	1	1	1		
29	90544-283-000	WASHER, SPECIAL, 8MM .....	-	-	-	2	2	2		
30	91101-KG8-003	BEARING, NEEDLE, 14X20X12 ...	-	-	-	2	2	2		
31	91254-MEJ-003	DUST SEAL .....	-	-	-	2	2	2		
32	91356-KA4-711	O-RING, 35.2X2.4 .....	-	-	-	2	2	2		

F-10

FRONT BRAKE CALIPER(R.)(XL1000V)



Ref. No.	L.O.N.	(Relative ref. Number) Description	F.R.T.
3	7111C0	BRACKET, FRONT CALIPER :RIGHT	0.2
	7111F0	BRACKET, FRONT CALIPER :BOTH	0.9
4	7111A1	SHOE(PAD) SET, BRAKE :RIGHT FRONT	0.1
	7111A2	SHOE(PAD) SET, BRAKE :BOTH FRONT	0.2
7		(1,2,16)	
	7111D3	PISTON, FRONT BRAKE CALIPER :RIGHT	0.8
		.INCLUDES: Bleed brakes .NOTE: Same time for two units or more	
	7111D4	PISTON, FRONT BRAKE CALIPER :BOTH	1.2
		.INCLUDES: Bleed brakes	
17	7111B6	CALIPER, FRONT BRAKE :RIGHT	0.6
		.INCLUDES: Bleed brakes	
	7111B7	CALIPER, FRONT BRAKE :BOTH	1.0
		.INCLUDES: Bleed brakes	

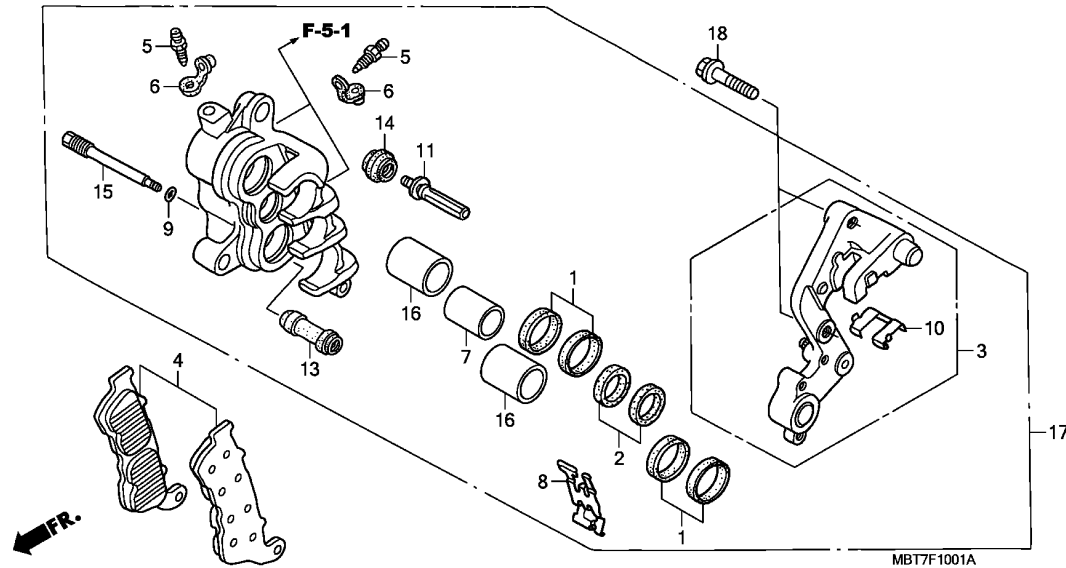
3

Ref. No.	Part No.	Description	Reqd. QTY						Serial No.	Parts catalogue code
			XL1000V			XL1000VA				
			7	8	9	7	8	9		
1	06431-MA3-405	SEAL SET, PISTON	2	2	2	-	-	-		
2	06451-MZ2-405	SEAL SET, PISTON	1	1	1	-	-	-		
3	06453-MCW-H01	BRACKET SUB ASSY., R. FR.	1	1	1	-	-	-		
4	06455-MBT-D52	PAD SET, FR.	1	1	1	-	-	-		
5	43352-568-003	SCREW, BLEEDER (NISSIN)	2	2	2	-	-	-		
6	43353-461-771	CAP, BLEEDER	2	2	2	-	-	-		
7	45107-MAJ-G41	PISTON A, 22X27	1	1	1	-	-	-		
8	45108-MBT-D52	SPRING, PAD	1	1	1	-	-	-		
9	45111-MAJ-G41	RING, STOPPER	1	1	1	-	-	-		
10	45112-MZ2-006	RETAINER, BRACKET	1	1	1	-	-	-		
11	45131-ML7-921	BOLT A, PIN	1	1	1	-	-	-		
13	45132-166-016	BOOT, PIN BUSH (NISSIN)	1	1	1	-	-	-		
14	45133-MA3-006	BOOT B	1	1	1	-	-	-		
15	45215-MBT-D51	PIN, HANGER	1	1	1	-	-	-		
16	45218-MAJ-G41	PISTON B, 27X35	2	2	2	-	-	-		
17	45250-MBT-C41	CALIPER SUB ASSY., R. FR.	1	1	1	-	-	-		
18	90107-MT3-003	BOLT, FLANGE, 8X32	2	2	2	-	-	-		

**F-10-1**

**FRONT BRAKE CALIPER(R.)(XL1000VA)**

**G 3**



Ref. No.	L.O.N.	(Relative ref. Number) Description	F.R.T.
3	7111C0	BRACKET, FRONT CALIPER :RIGHT	0.2
	7111F0	BRACKET, FRONT CALIPER :BOTH	0.9
4	7111A1	SHOE(PAD) SET, BRAKE :RIGHT FRONT	0.1
	7111A2	SHOE(PAD) SET, BRAKE :BOTH FRONT	0.2
7	7111D3	PISTON, FRONT BRAKE CALIPER :RIGHT .INCLUDES: Bleed brakes .NOTE: Same time for two units or more	0.8
	7111D4	PISTON, FRONT BRAKE CALIPER :BOTH .INCLUDES: Bleed brakes	1.2
17	7111B6	CALIPER, FRONT BRAKE :RIGHT .INCLUDES: Bleed brakes	0.6
	7111B7	CALIPER, FRONT BRAKE :BOTH .INCLUDES: Bleed brakes	1.0

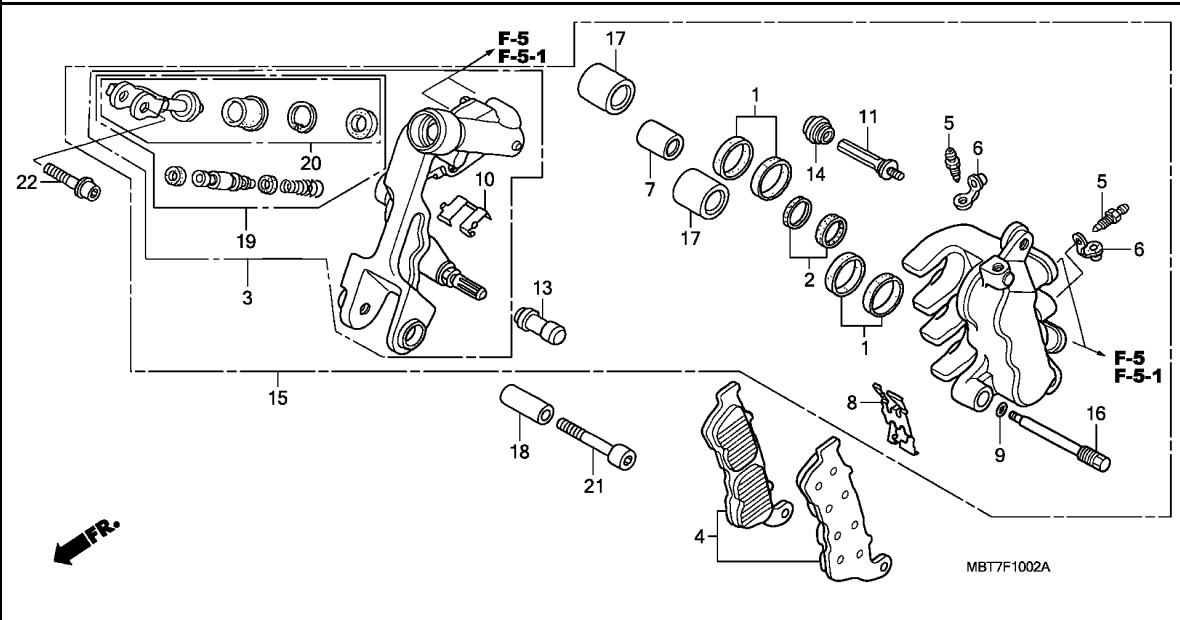
Ref. No.	Part No.	Description	Reqd. QTY						Serial No.	Parts catalogue code
			XL1000V			XL1000VA				
			7	8	9	7	8	9		
1	06431-MA3-405	SEAL SET, PISTON	-	-	-	2	2	2		
2	06451-MZ2-405	SEAL SET, PISTON	-	-	-	1	1	1		
3	06453-MBT-D52	BRACKET SUB ASSY., R. FR.	-	-	-	1	1	1		
4	06455-MBT-D52	PAD SET, FR.	-	-	-	1	1	1		
5	43352-568-003	SCREW, BLEEDER (NISSIN)	-	-	-	2	2	2		
6	43353-461-771	CAP, BLEEDER	-	-	-	2	2	2		
7	45107-MAJ-G41	PISTON A, 22X27	-	-	-	1	1	1		
8	45108-MBT-D52	SPRING, PAD	-	-	-	1	1	1		
9	45111-MAJ-G41	RING, STOPPER	-	-	-	1	1	1		
10	45112-MZ2-006	RETAINER, BRACKET	-	-	-	1	1	1		
11	45131-ML7-921	BOLT A, PIN	-	-	-	1	1	1		
13	45132-166-016	BOOT, PIN BUSH (NISSIN)	-	-	-	1	1	1		
14	45133-MA3-006	BOOT B	-	-	-	1	1	1		
15	45215-MBT-D51	PIN, HANGER	-	-	-	1	1	1		
16	45218-MAJ-G41	PISTON B, 27X35	-	-	-	2	2	2		
17	45250-MBT-C51	CALIPER SUB ASSY., R. FR.	-	-	-	1	1	1		
18	90107-MT3-003	BOLT, FLANGE, 8X32	-	-	-	2	2	2		

**3**

# F-10-2

# FRONT BRAKE CALIPER(L.)

**G 4**



Ref. No.	L.O.N.	(Relative ref. Number) Description	F.R.T.
3	7111B9	BRACKET, FRONT CALIPER :LEFT	0.7
	7111F0	BRACKET, FRONT CALIPER :BOTH	0.9
4	7111A0	SHOE(PAD) SET, BRAKE :LEFT FRONT	0.1
	7111A2	SHOE(PAD) SET, BRAKE :BOTH FRONT	0.2
7		(1,2,17)	
	7111D2	PISTON, FRONT BRAKE CALIPER :LEFT	0.8
		.INCLUDES: Bleed brakes	
		.NOTE: Same time for two units or more	
	7111D4	PISTON, FRONT BRAKE CALIPER :BOTH	1.2
		.INCLUDES: Bleed brakes	
15	7111B5	CALIPER, FRONT BRAKE :LEFT	0.8
		.INCLUDES: Bleed brakes	
	7111B7	CALIPER, FRONT BRAKE :BOTH	1.0
		.INCLUDES: Bleed brakes	
19	7121H1	PISTON SET, FRONT BRAKE SECOND MASTER	0.7
		.INCLUDES: Bleed brakes	

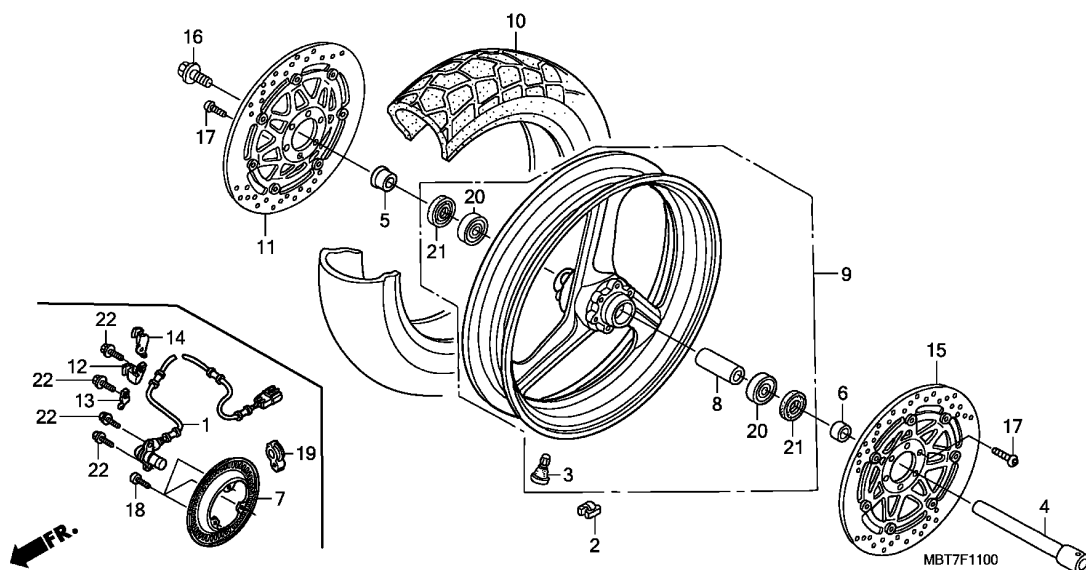
**3**

Ref. No.	Part No.	Description	Reqd. QTY						Serial No.	Parts catalogue code
			XL1000V			XL1000VA				
			7	8	9	7	8	9		
1	06451-GE2-405	SEAL SET, PISTON	2	2	2	2	2	2		
2	06451-MZ2-405	SEAL SET, PISTON	1	1	1	1	1	1		
3	06454-MBT-D52	BRACKET SUB ASSY., L. FR.	1	1	1	1	1	1		
4	06455-MBT-D52	PAD SET, FR.	1	1	1	1	1	1		
5	43352-568-003	SCREW, BLEEDER (NISSIN)	2	2	2	2	2	2		
6	43353-461-771	CAP, BLEEDER	2	2	2	2	2	2		
7	45107-MAJ-G41	PISTON A, 22X27	1	1	1	1	1	1		
8	45108-MBT-D52	SPRING, PAD	1	1	1	1	1	1		
9	45111-MAJ-G41	RING, STOPPER	1	1	1	1	1	1		
10	45112-MZ2-006	RETAINER, BRACKET	1	1	1	1	1	1		
11	45131-ML7-921	BOLT A, PIN	1	1	1	1	1	1		
13	45132-166-016	BOOT, PIN BUSH (NISSIN)	1	1	1	1	1	1		
14	45133-MA3-006	BOOT B	1	1	1	1	1	1		
15	45150-MBT-C41	CALIPER SUB ASSY., L. FR.	1	1	1	1	1	1		
16	45215-MBT-D51	PIN, HANGER	1	1	1	1	1	1		
17	45217-MAJ-G41	PISTON B, 25X35	2	2	2	2	2	2		
18	45442-MAT-000	COLLAR, L. CALIPER BRACKET	1	1	1	1	1	1		
19	45620-MBG-026	PISTON SET, SECOND MASTER								
		CYLINDER	1	1	1	1	1	1		
20	45630-MBG-026	JOINT SET, BRAKE ROD	1	1	1	1	1	1		
21	90132-MZ2-000	BOLT, SOCKET, 8X45	1	1	1	1	1	1		
22	90133-MAT-000	BOLT, FLANGE SOCKET, 8X32	1	1	1	1	1	1		

F-11

FRONT WHEEL

G 5



Ref. No.	L.O.N.	(Relative ref. Number) Description	F.R.T.
1	617196	SENSOR, WHEEL SPEED :FRONT ...	1.0
2	7101A6	WEIGHT, BALANCE :FRONT .....	0.7
4	710151	AXLE, FRONT WHEEL .....	0.4
7	7101B0	RING, PULSER :FRONT .....	0.5
9	7101D4	FRONT WHEEL .....	1.1
		.INCLUDES: Balance	
10	710139	FRONT TIRE(ONE) .....	1.0
		.INCLUDES: Balance	
11	7111D8	DISC, FRONT BRAKE :RIGHT .....	0.5
	7111D9	DISC, FRONT BRAKE :BOTH .....	0.6
15	7111D7	DISC, FRONT BRAKE :LEFT .....	0.5
	7111D9	DISC, FRONT BRAKE :BOTH .....	0.6
20		(8)	
	710115	BEARING, FRONT WHEEL(ONE) .....	0.6
	710115G	.Replace 1 bearing add .....	0.1

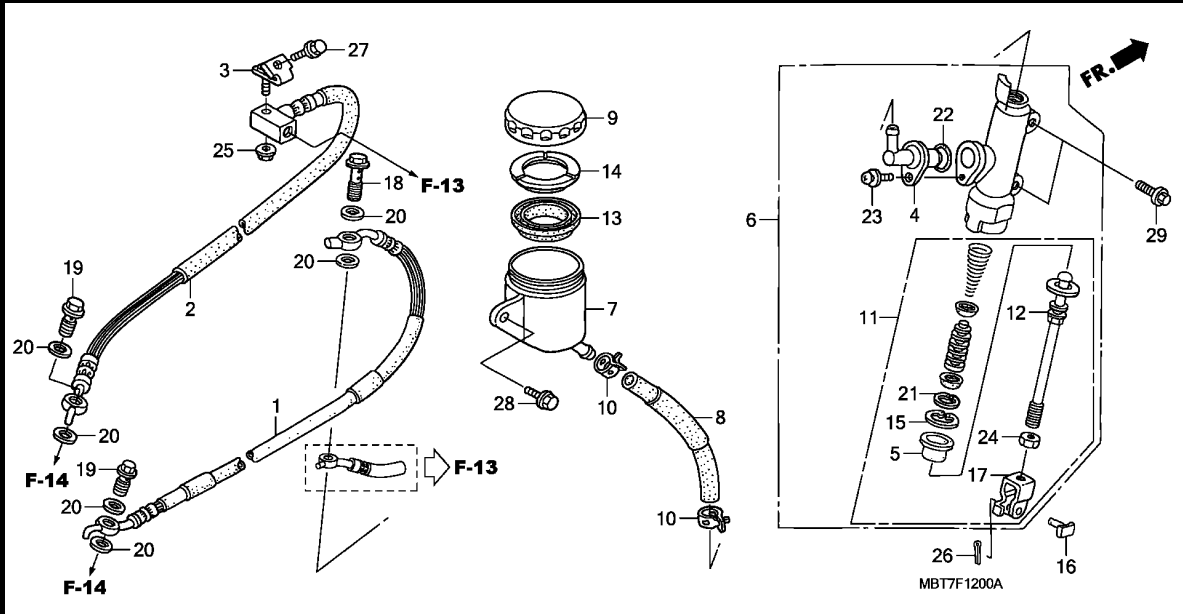
Ref. No.	Part No.	Description	Reqd. QTY						Serial No.	Parts catalogue code
			XL1000V			XL1000VA				
			7	8	9	7	8	9		
1	38520-MBT-D50	SENSOR, FR. WHEEL SPEED .....	-	-	-	1	1	1		
2	42704-MCF-D60	WEIGHT, BALANCE (10G) .....	N	N	N	N	N	N		
	42705-MCF-D60	WEIGHT, BALANCE (20G) .....	N	N	N	N	N	N		
	42706-MCF-D60	WEIGHT, BALANCE (30G) .....	N	N	N	N	N	N		
3	42753-KBS-901	VALVE, RIM (WONDER) .....	1	1	1	1	1	1		
4	44301-MBT-D20	AXLE, FR. WHEEL .....	1	1	1	1	1	1		
5	44311-MBT-D20	COLLAR, R. FR. WHEEL SIDE ...	1	1	1	1	1	1		
6	44312-MBT-D10	COLLAR, L. FR. WHEEL SIDE ...	1	1	1	1	1	1		
7	44515-MBT-D50	RING, FR. PULSER .....	-	-	-	1	1	1		
8	44620-MBT-610	COLLAR, FR. AXLE DISTANCE ...	1	1	1	1	1	1		
9	44650-MBT-C40	WHEEL SUB ASSY., FR. ....	1	1	1	1	1	1		
10	44711-MBT-D21	TIRE, FR. (BRIDGESTONE) (110/80R19 M/C 59H)	1	1	1	1	1	1		
11	45120-MBT-D52	DISK COMP., R. FR. BRAKE ....	1	1	1	1	1	1		
12	45161-MCW-D10	CLAMPER, SPEED SENSOR CORD ..	-	-	-	1	1	1		
13	45182-MBT-D50	CLAMPER, SENSOR CORD .....	-	-	-	1	1	1		
14	45183-MBT-D50	CLAMPER, SENSOR CORD .....	-	-	-	1	1	1		
15	45220-MBT-D51	DISK COMP., L. FR. BRAKE ....	1	1	1	1	1	1		
16	90105-MBT-610	BOLT, FR. AXLE .....	1	1	1	1	1	1		
17	90106-MBB-000	BOLT, DISK, 6X17 .....	12	12	12	12	12	12		
18	90131-KPB-751	BOLT, TORX, 5X10 .....	-	-	-	3	3	3		
19	90690-MCA-003	CLIP, CABLE, 14MM .....	-	-	-	3	3	3		
20	91052-MAE-004	BEARING, RADIAL BALL, 6204UU	2	2	2	2	2	2		
21	91252-MC4-013	OIL SEAL, 28X47.2X7(ARAI) ...	2	2	2	2	2	2		
22	96001-06010-07	BOLT, FLANGE, 6X10 .....	-	-	-	4	4	4		

3

# F-12

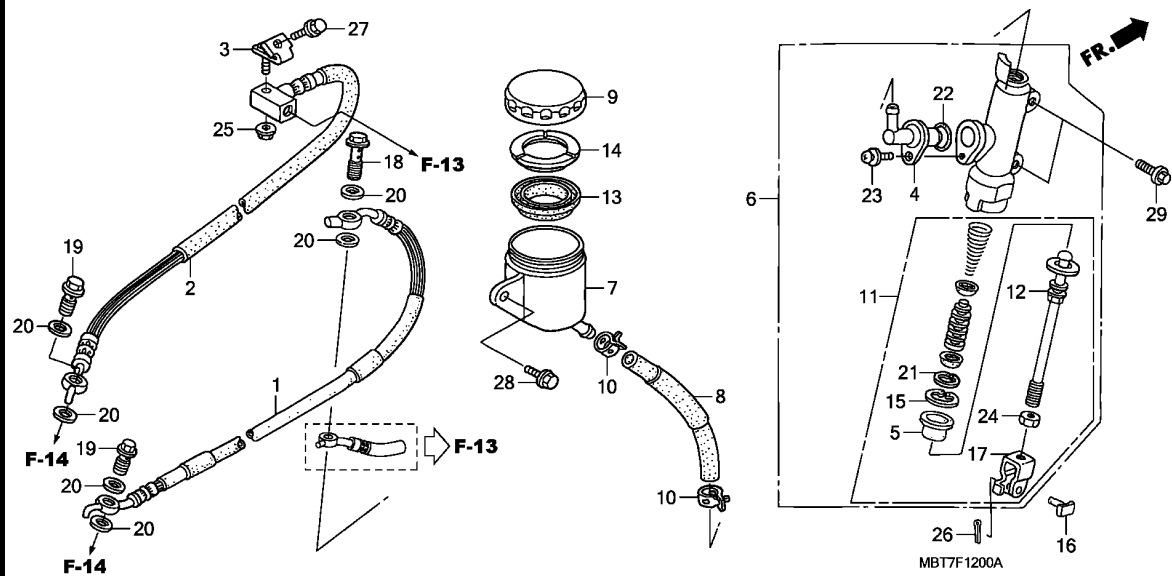
# REAR BRAKE MASTER CYLINDER(XL1000V)

**G 6**



Ref. No.	L.O.N.	(Relative ref. Number) Description	F.R.T.
1	7121J2	HOSE, REAR BRAKE MAIN ..... .INCLUDES: Bleed brakes	0.5
	7121J2A	.Replace sub hose add .....	0.1
2	7121J3	HOSE, REAR BRAKE SUB .....	0.5
	7121J3	.INCLUDES: Bleed brakes	
6	712125	CYLINDER, REAR BRAKE MASTER ..	1.0
	712125	.INCLUDES: Bleed brakes	
7	7121F6	CUP, REAR MASTER CYLINDER OIL	0.2
	7121F6	.INCLUDES: Bleed brakes	
8	7121C2	HOSE, REAR MASTER CYLINDER OIL	
	7121C2	CUP .....	0.3
	7121C2	.INCLUDES: Bleed brakes	
11	7121H0	PISTON SET, REAR BRAKE MASTER	1.0
	7121H0	.INCLUDES: Bleed brakes	
13	7121G7	DIAPHRAGM, REAR BRAKE MASTER	
	7121G7	CYLINDER .....	0.1

Ref. No.	Part No.	Description	Reqd. QTY						Serial No.	Parts catalogue code
			XL1000V			XL1000VA				
			7	8	9	7	8	9		
1	43310-MBT-D11	HOSE, RR. BRAKE MAIN .....	1	1	1	-	-	-		
2	43311-MBT-D11	SUB HOSE, RR. BRAKE .....	1	1	1	-	-	-		
3	43315-MBT-D20	STAY, BRAKE HOSE .....	1	1	1	-	-	-		
4	43503-MB2-006	CONNECTOR, MASTER CYLINDER ..	1	1	1	-	-	-		
5	43504-MB2-006	BOOT COMP. ....	1	1	1	-	-	-		
6	43510-MBT-D22	CYLINDER SUB ASSY., RR. MASTER	1	1	1	-	-	-		
7	43511-MA6-006	CUP, MASTER CYLINDER OIL ....	1	1	1	-	-	-		
8	43512-MBT-611	HOSE, MASTER CYLINDER .....	1	1	1	-	-	-		
9	43513-MY1-006	CAP, OIL CUP .....	1	1	1	-	-	-		
10	43514-445-771	CLAMP, MASTER CYLINDER OIL								
		HOSE	2	2	2	-	-	-		
11	43520-MBT-612	PISTON SET, RR. MASTER								
		CYLINDER	1	1	1	-	-	-		
12	43530-MBT-611	ROD COMP., PUSH .....	1	1	1	-	-	-		
13	45520-300-000	DIAPHRAGM .....	1	1	1	-	-	-		
14	45521-MJ6-006	PLATE, DIAPHRAGM .....	1	1	1	-	-	-		
15	46182-MEL-D21	CIRCLIP .....	1	1	1	-	-	-		
16	46503-MAL-000	PIN COMP., BRAKE ROD .....	1	1	1	-	-	-		
17	46504-MT4-006	JOINT, BRAKE ROD .....	1	1	1	-	-	-		
18	90145-MR8-014	BOLT, OIL, 10X34 .....	1	1	1	-	-	-		
19	90145-MS9-612	BOLT, OIL, 10X22 .....	2	2	2	-	-	-		
20	90545-300-000	WASHER, OIL BOLT .....	6	6	6	-	-	-		
21	90651-MBG-006	CIRCLIP, PISTON .....	1	1	1	-	-	-		
22	91212-422-006	O-RING, 14.8X2.4 .....	1	1	1	-	-	-		
23	93893-04012-17	SCREW-WASHER, 4X12 .....	1	1	1	-	-	-		

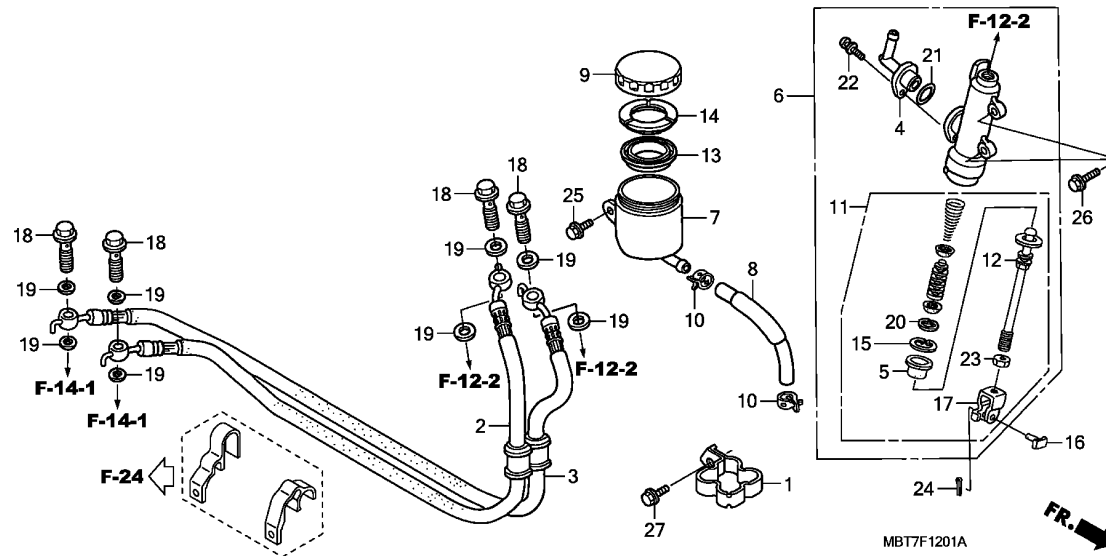
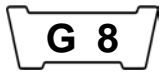


Ref. No.	Part No.	Description	Reqd. QTY						Serial No.	Parts catalogue code
			XL1000V			XL1000VA				
			7	8	9	7	8	9		
24	94002-08000-0S	NUT, HEX., 8MM .....	1	1	1	-	-	-		
25	94050-06000	NUT, FLANGE, 6MM .....	1	1	1	-	-	-		
26	94201-20120	PIN, SPLIT, 2.0X12 .....	1	1	1	-	-	-		
27	95701-06010-07	BOLT, FLANGE, 6X10 .....	1	1	1	-	-	-		
28	95701-06016-07	BOLT, FLANGE, 6X16 .....	1	1	1	-	-	-		
29	95801-06025-00	BOLT, FLANGE, 6X25 .....	2	2	2	-	-	-		



# F-12-1

# REAR BRAKE MASTER CYLINDER(XL1000VA)



Ref. No.	L.O.N.	(Relative ref. Number) Description	F.R.T.
2	7121J2	HOSE, REAR BRAKE MAIN ..... .INCLUDES: Bleed brakes	0.8
3	7121J3	HOSE, REAR BRAKE SUB ..... .INCLUDES: Bleed brakes	0.8
6	712125	CYLINDER, REAR BRAKE MASTER .. .INCLUDES: Bleed brakes	1.0
7	7121F6	CUP, REAR MASTER CYLINDER OIL .INCLUDES: Bleed brakes	0.2
8	7121C2	HOSE, REAR MASTER CYLINDER OIL CUP ..... .INCLUDES: Bleed brakes	0.3
11	7121H0	PISTON SET, REAR BRAKE MASTER .INCLUDES: Bleed brakes	1.0
13	7121G7	DIAPHRAGM, REAR BRAKE MASTER CYLINDER .....	0.1

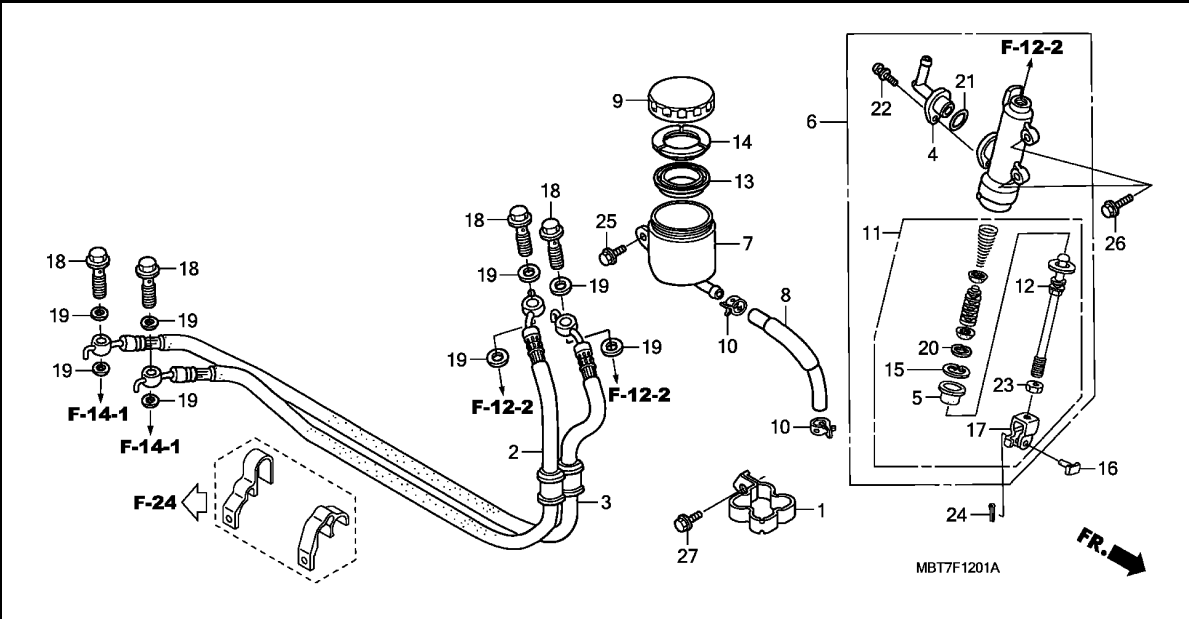
3

Ref. No.	Part No.	Description	Reqd. QTY						Serial No.	Parts catalogue code
			XL1000V			XL1000VA				
			7	8	9	7	8	9		
1	43155-MBT-C50	CLAMPER, BRAKE HOSE .....	-	-	-	1	1	1		
2	43310-MBT-C51	MAIN HOSE COMP., RR. BRAKE ..	-	-	-	1	1	1		
3	43311-MBT-C51	SUB HOSE COMP., RR. BRAKE ...	-	-	-	1	1	1		
4	43503-MB2-006	CONNECTOR, MASTER CYLINDER ..	-	-	-	1	1	1		
5	43504-MB2-006	BOOT COMP. ....	-	-	-	1	1	1		
6	43510-MBT-D22	CYLINDER SUB ASSY., RR. MASTER	-	-	-	1	1	1		
7	43511-MA6-006	CUP, MASTER CYLINDER OIL ....	-	-	-	1	1	1		
8	43512-MBT-C51	HOSE COMP., RR. MASTER	-	-	-	1	1	1		
9	43513-MY1-006	CAP, OIL CUP .....	-	-	-	1	1	1		
10	43514-445-771	CLAMP, MASTER CYLINDER OIL HOSE	-	-	-	2	2	2		
11	43520-MBT-612	PISTON SET, RR. MASTER CYLINDER	-	-	-	1	1	1		
12	43530-MBT-611	ROD COMP., PUSH .....	-	-	-	1	1	1		
13	45520-300-000	DIAPHRAGM .....	-	-	-	1	1	1		
14	45521-MJ6-006	PLATE, DIAPHRAGM .....	-	-	-	1	1	1		
15	46182-MEL-D21	CIRCLIP .....	-	-	-	1	1	1		
16	46503-MAL-000	PIN COMP., BRAKE ROD .....	-	-	-	1	1	1		
17	46504-MT4-006	JOINT, BRAKE ROD .....	-	-	-	1	1	1		
18	90145-MS9-612	BOLT, OIL, 10X22 .....	-	-	-	4	4	4		
19	90545-300-000	WASHER, OIL BOLT .....	-	-	-	8	8	8		
20	90651-MBG-006	CIRCLIP, PISTON .....	-	-	-	1	1	1		
21	91212-422-006	O-RING, 14.8X2.4 .....	-	-	-	1	1	1		
22	93893-04012-17	SCREW-WASHER, 4X12 .....	-	-	-	1	1	1		

**F-12-1**

**REAR BRAKE MASTER CYLINDER(XL1000VA)**

**G 9**



Ref. No.	Part No.	Description	Reqd. QTY			Serial No.	Parts catalogue code
			XL1000V 7	8	9		

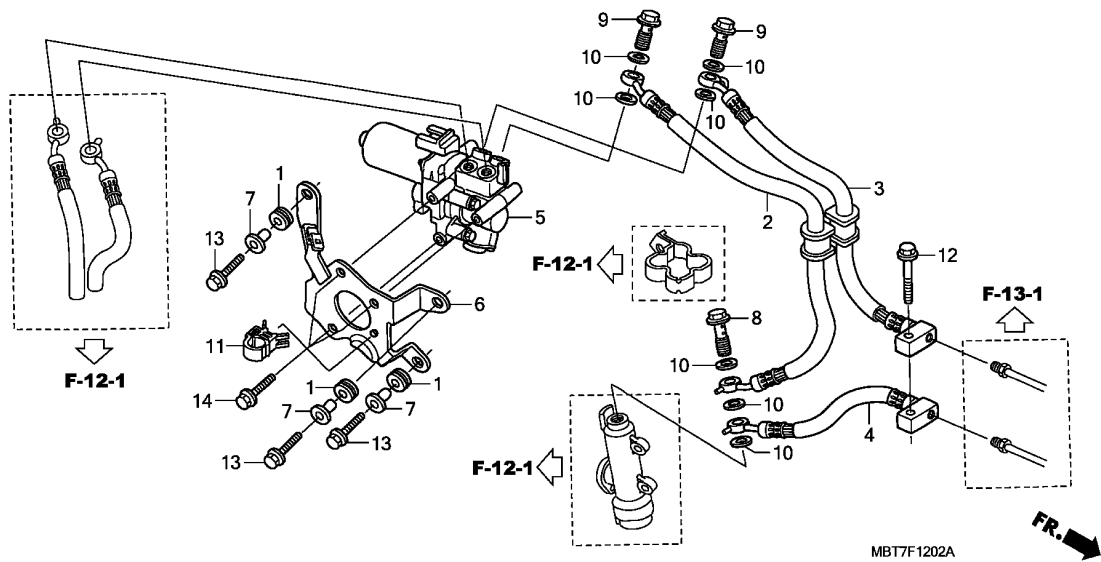
23	94002-08000-0S	NUT, HEX., 8MM .....	-	-	-	1	1	1
24	94201-20120	PIN, SPLIT, 2.0X12 .....	-	-	-	1	1	1
25	95701-06016-07	BOLT, FLANGE, 6X16 .....	-	-	-	1	1	1
26	95801-06025-00	BOLT, FLANGE, 6X25 .....	-	-	-	2	2	2
27	96001-06018-07	BOLT, FLANGE, 6X18 .....	-	-	-	1	1	1

**3**

# F-12-2

# ABS UNIT(REAR)

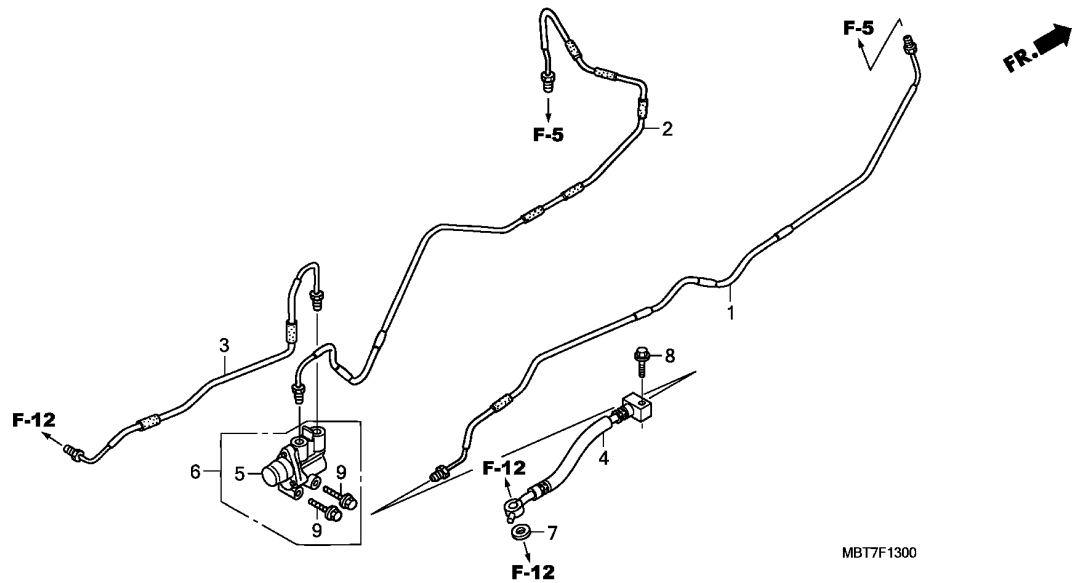
**G10**



Ref. No.	L.O.N.	(Relative ref. Number) Description	F.R.T.
2	7121J4	HOSE, REAR MASTER CYLINDER BRAKE .INCLUDES: Bleed brakes	0.8
3	7121J5	HOSE, REAR ABS UNIT .INCLUDES: Bleed brakes	0.8
4	7121J6	HOSE, REAR MASTER CYLINDER BRAKE(A) .INCLUDES: Bleed brakes	0.7
5	711197	MODULATOR, ABS :REAR .INCLUDES: Bleed brakes	1.0

**3**

Ref. No.	Part No.	Description	Reqd. QTY						Serial No.	Parts catalogue code
			XL1000V			XL1000VA				
			7	8	9	7	8	9		
1	17622-GB7-900	RUBBER, CUSHION .....	-	-	-	3	3	3		
2	43312-MBT-C51	HOSE COMP., RR. MASTER CYLINDER	-	-	-	1	1	1		
3	43314-MBT-C51	HOSE COMP. B, RR. ABS UNIT	-	-	-	1	1	1		
4	45142-MBT-C51	HOSE COMP., RR. MASTER CYLINDER (B)	-	-	-	1	1	1		
5	57100-MCW-D11	MODULATOR ASSY., ABS .....	-	-	-	1	1	1		
6	57406-MBT-C50	STAY, RR. MODULATOR .....	-	-	-	1	1	1		
7	90001-961-670	COLLAR, SIDE MOUNTING .....	-	-	-	3	3	3		
8	90145-MR8-014	BOLT, OIL, 10X34 .....	-	-	-	1	1	1		
9	90145-MS9-612	BOLT, OIL, 10X22 .....	-	-	-	2	2	2		
10	90545-300-000	WASHER, OIL BOLT .....	-	-	-	7	7	7		
11	90690-GHB-631	CLIP, CABLE, 8MM .....	-	-	-	1	1	1		
12	95701-06045-07	BOLT, FLANGE, 6X45 .....	-	-	-	1	1	1		
13	95801-06020-07	BOLT, FLANGE, 6X20 .....	-	-	-	3	3	3		
14	96001-06016-07	BOLT, FLANGE, 6X16 .....	-	-	-	3	3	3		



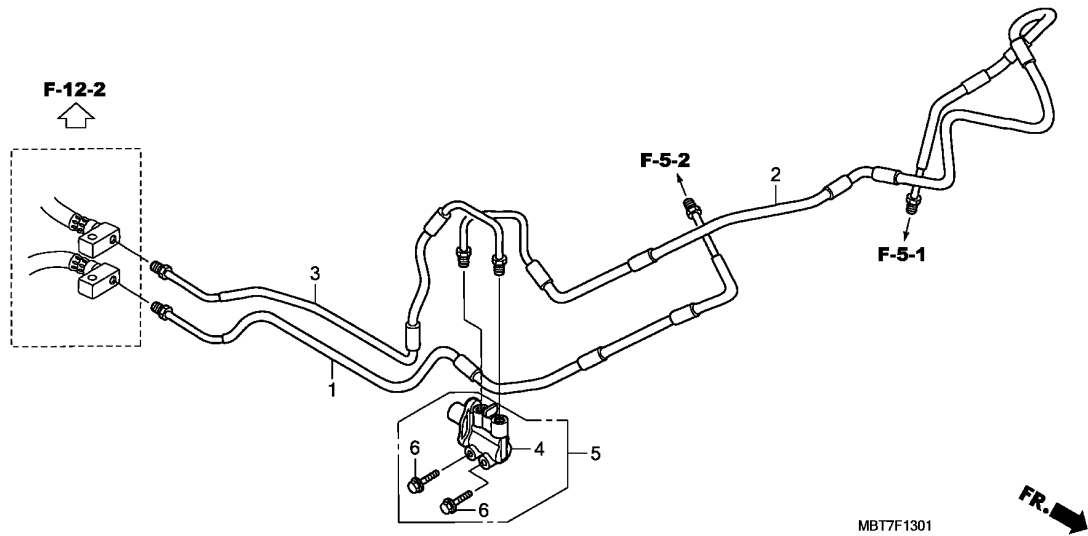
Ref. No.	L.O.N.	(Relative ref. Number) Description	F.R.T.
1	7121C3	PIPE, REAR MASTER CYLINDER JOINT ..... .INCLUDES: Bleed brakes	1.2
2	7121J7	PIPE A, PCV JOINT ..... .INCLUDES: Bleed brakes	1.3
	7121J7A	.Replace PCV joint pipe B add	0.1
3	7121J8	PIPE B, PCV JOINT ..... .INCLUDES: Bleed brakes	1.0
5	7121H2	VALVE, PROPORTIONING CONTROL ..... .INCLUDES: Bleed brakes	0.9

Ref. No.	Part No.	Description	Reqd. QTY			Serial No.	Parts catalogue code
			XL1000V 7 8 9	XL1000VA 7 8 9			
1	45132-MBT-C40	PIPE, RR. MASTER CYLINDER JOINT	1	1	1	-	-
2	45133-MBT-D20	PIPE A, PCV JOINT .....	1	1	1	-	-
3	45134-MBT-C40	PIPE B, PCV JOINT .....	1	1	1	-	-
4	45142-MBT-C51	HOSE COMP., RR. MASTER CYLINDER (B)	1	1	1	-	-
5	46200-MBT-D22	VALVE ASSY., PROPORTIONING ..	1	1	1	-	-
6	46250-MBT-305	PCV SET .....	1	1	1	-	-
7	90545-300-000	WASHER, OIL BOLT .....	1	1	1	-	-
8	95701-06028-07	BOLT, FLANGE, 6X28 .....	1	1	1	-	-
9	95801-06032-07	BOLT, FLANGE, 6X32 .....	2	2	2	-	-

**F-13-1**

**PROPORTIONING CONTROL VALVE(XL1000VA)**

**G12**



Ref. No.	L.O.N.	(Relative ref. Number) Description	F.R.T.
1	7121C3	PIPE, REAR MASTER CYLINDER JOINT ..... .INCLUDES: Bleed brakes	1.5
2	7121J7	PIPE A, PCV JOINT ..... .INCLUDES: Bleed brakes	2.0
3	7121J9	PIPE, REAR ABS UNIT ..... .INCLUDES: Bleed brakes	1.2
4	7121H2	VALVE, PROPORTIONING CONTROL (5) ..... .INCLUDES: Bleed brakes	1.3

MBT7F1301

FR. →

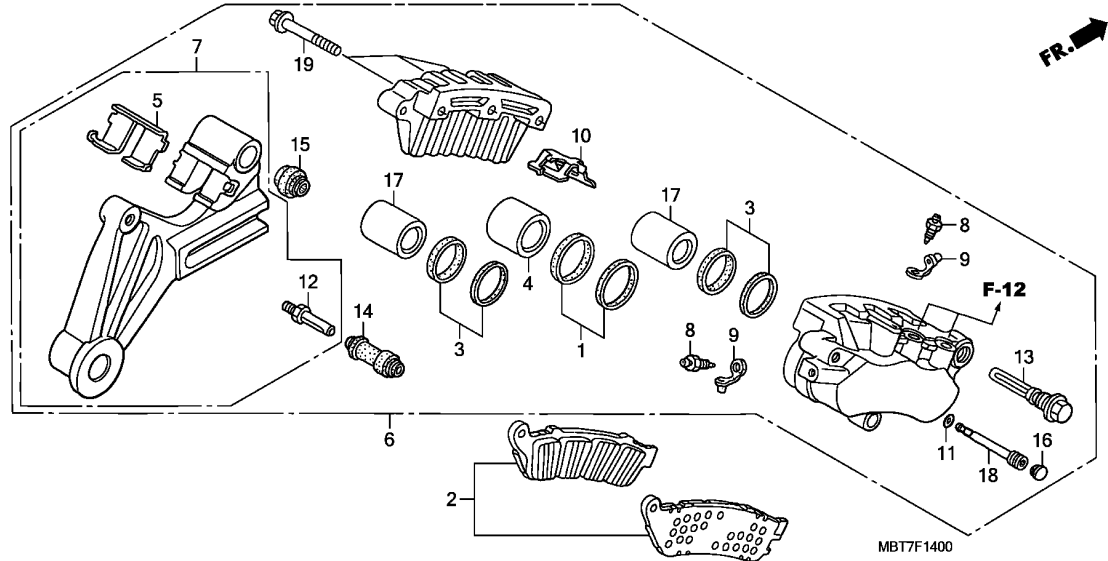
**3**

Ref. No.	Part No.	Description	Reqd. QTY			Serial No.	Parts catalogue code
			XL1000V 7 8 9	XL1000VA 7 8 9			
1	45132-MBT-D50	PIPE, RR. MASTER CYLINDER JOINT	-	-	-	1 1 1	
2	45133-MBT-D50	PIPE A, PCV JOINT	-	-	-	1 1 1	
3	45134-MBT-D50	PIPE, RR. ABS UNIT	-	-	-	1 1 1	
4	46200-MBT-D22	VALVE ASSY., PROPORTIONING	-	-	-	1 1 1	
5	46250-MBT-305	PCV SET	-	-	-	1 1 1	
6	95801-06032-07	BOLT, FLANGE, 6X32	-	-	-	2 2 2	

**F-14**

**REAR BRAKE CALIPER (XL1000V)**

**G13**



Ref. No.	L.O.N.	(Relative ref. Number) Description	F.R.T.
2	711140	SHOE(PAD) SET, BRAKE :REAR ... (1,3,17)	0.1
4	7111D5	PISTON, REAR BRAKE CALIPER ... .INCLUDES: Bleed brakes .NOTE: Same time for two units or more	1.2
6	711155	CALIPER, REAR BRAKE .....	1.0
7	7111C1	BRACKET, REAR CALIPER .....	0.5

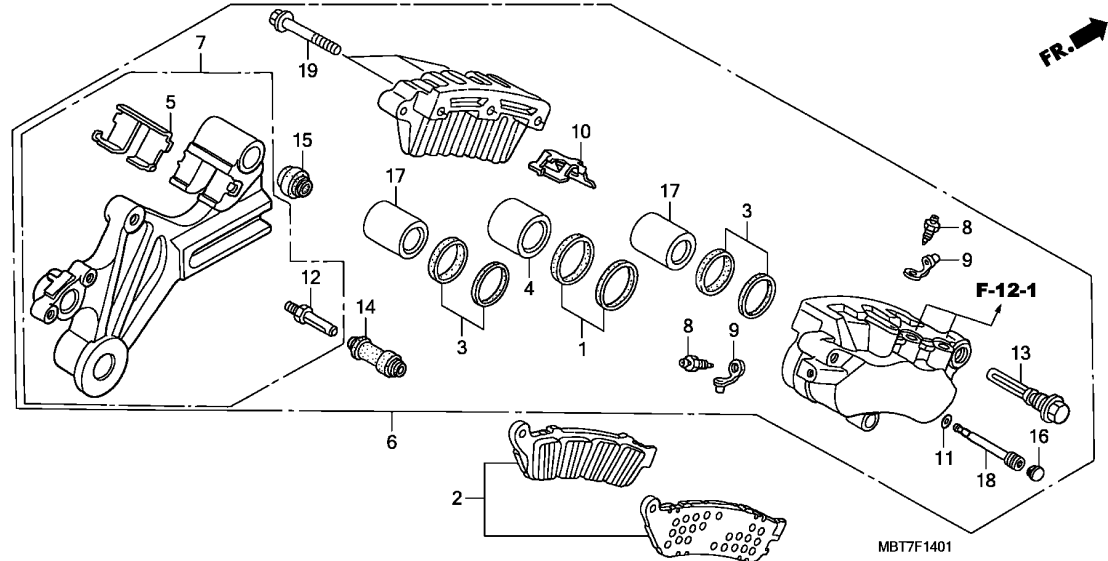
Ref. No.	Part No.	Description	Reqd. QTY						Serial No.	Parts catalogue code
			XL1000V			XL1000VA				
			7	8	9	7	8	9		
1	06431-MA3-405	SEAL SET, PISTON .....	1	1	1	-	-	-		
2	06435-MAT-016	PAD SET, RR. ....	1	1	1	-	-	-		
3	06451-MZ2-405	SEAL SET, PISTON .....	2	2	2	-	-	-		
4	43107-MBG-006	PISTON, 27X27 .....	1	1	1	-	-	-		
5	43112-MAT-016	RETAINER, BRACKET .....	1	1	1	-	-	-		
6	43150-MBT-C41	CALIPER SUB ASSY., RR. ....	1	1	1	-	-	-		
7	43190-MBT-611	BRACKET SUB ASSY., RR. ....	1	1	1	-	-	-		
8	43352-568-003	SCREW, BLEEDER (NISSIN) .....	2	2	2	-	-	-		
9	43353-461-771	CAP, BLEEDER .....	2	2	2	-	-	-		
10	45108-MBT-612	SPRING, PAD .....	1	1	1	-	-	-		
11	45111-MAJ-G41	RING, STOPPER .....	1	1	1	-	-	-		
12	45131-MAC-681	BOLT, PIN .....	1	1	1	-	-	-		
13	45131-MZ2-006	PIN, BOLT .....	1	1	1	-	-	-		
14	45132-166-016	BOOT, PIN BUSH (NISSIN) .....	1	1	1	-	-	-		
15	45133-MA3-006	BOOT B .....	1	1	1	-	-	-		
16	45203-MCC-006	PLUG, PIN .....	1	1	1	-	-	-		
17	45207-MAJ-G41	PISTON B, 22X35 .....	2	2	2	-	-	-		
18	45215-MAJ-G41	PIN, HANGER .....	1	1	1	-	-	-		
19	90135-MAJ-G41	BOLT, FLANGE, 8X45 .....	3	3	3	-	-	-		

**3**

**F-14-1**

**REAR BRAKE CALIPER (XL1000VA)**

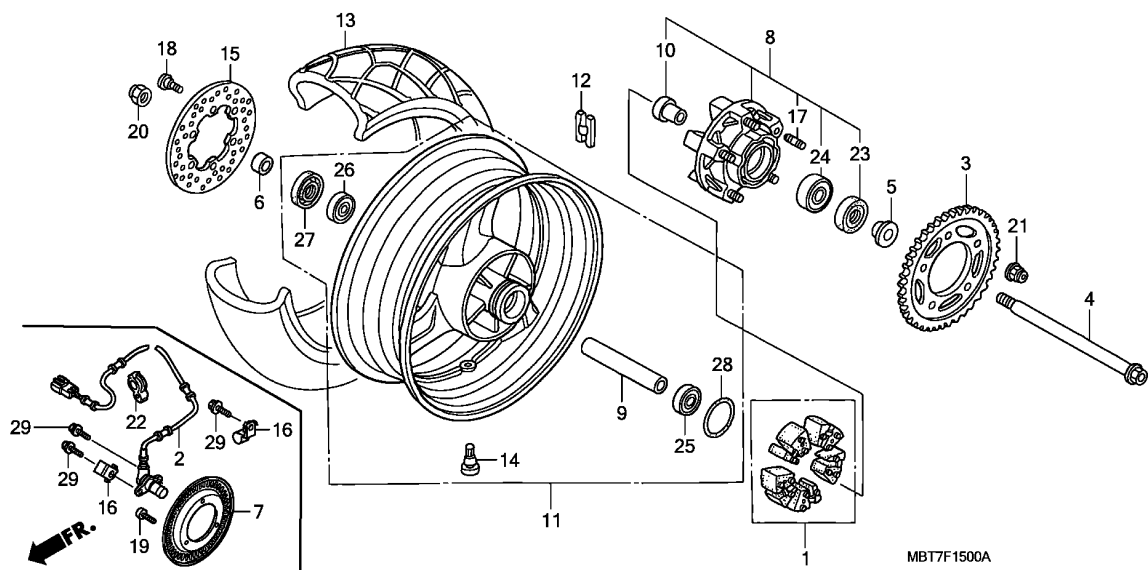
**G14**



Ref. No.	L.O.N.	(Relative ref. Number) Description	F.R.T.
2	711140	SHOE(PAD) SET, BRAKE :REAR ... (1,3,17)	0.1
4	7111D5	PISTON, REAR BRAKE CALIPER ... .INCLUDES: Bleed brakes .NOTE: Same time for two units or more	1.2
6	711155	CALIPER, REAR BRAKE .....	1.0
7	7111C1	BRACKET, REAR CALIPER .....	0.5

**3**

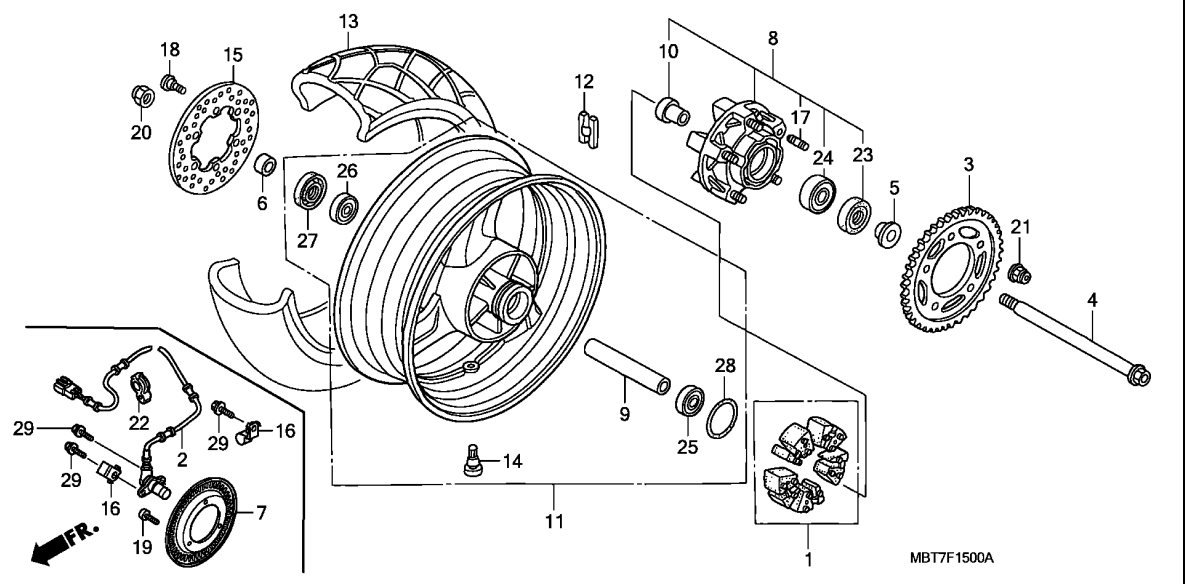
Ref. No.	Part No.	Description	Reqd. QTY						Serial No.	Parts catalogue code
			XL1000V			XL1000VA				
			7	8	9	7	8	9		
1	06431-MA3-405	SEAL SET, PISTON .....	-	-	-	1	1	1		
2	06435-MAT-016	PAD SET, RR. ....	-	-	-	1	1	1		
3	06451-MZ2-405	SEAL SET, PISTON .....	-	-	-	2	2	2		
4	43107-MBG-006	PISTON, 27X27 .....	-	-	-	1	1	1		
5	43112-MAT-016	RETAINER, BRACKET .....	-	-	-	1	1	1		
6	43150-MBT-C51	CALIPER SUB ASSY., RR. ....	-	-	-	1	1	1		
7	43190-MBT-D51	BRACKET SUB ASSY., RR. ....	-	-	-	1	1	1		
8	43352-568-003	SCREW, BLEEDER (NISSIN) .....	-	-	-	2	2	2		
9	43353-461-771	CAP, BLEEDER .....	-	-	-	2	2	2		
10	45108-MBT-612	SPRING, PAD .....	-	-	-	1	1	1		
11	45111-MAJ-G41	RING, STOPPER .....	-	-	-	1	1	1		
12	45131-MAC-681	BOLT, PIN .....	-	-	-	1	1	1		
13	45131-MZ2-006	PIN, BOLT .....	-	-	-	1	1	1		
14	45132-166-016	BOOT, PIN BUSH (NISSIN) .....	-	-	-	1	1	1		
15	45133-MA3-006	BOOT B .....	-	-	-	1	1	1		
16	45203-MCC-006	PLUG, PIN .....	-	-	-	1	1	1		
17	45207-MAJ-G41	PISTON B, 22X35 .....	-	-	-	2	2	2		
18	45215-MAJ-G41	PIN, HANGER .....	-	-	-	1	1	1		
19	90135-MAJ-G41	BOLT, FLANGE, 8X45 .....	-	-	-	3	3	3		



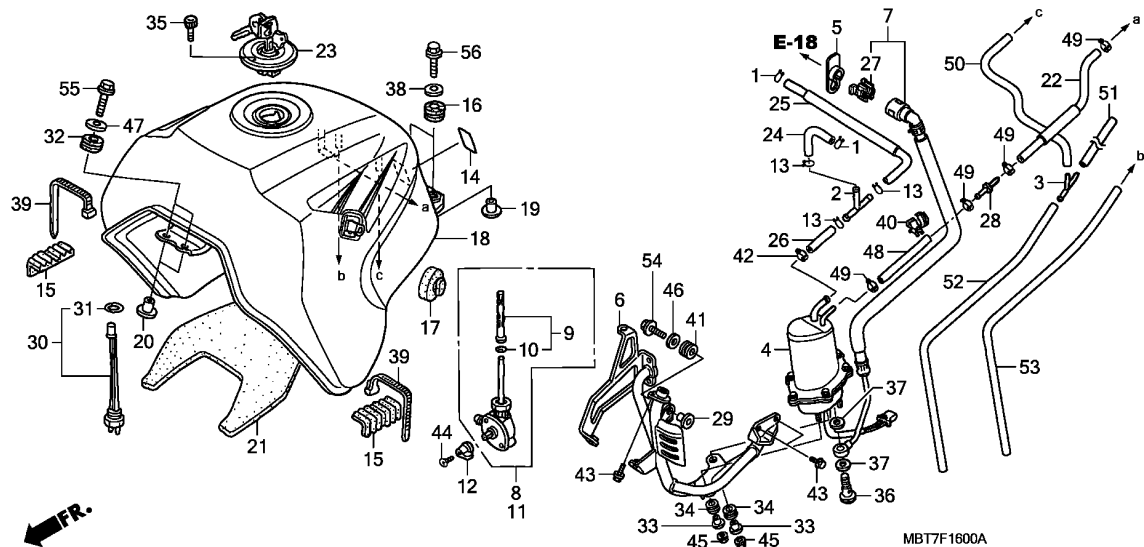
Ref. No.	L.O.N.	(Relative ref. Number) Description	F.R.T.
1	710157	DAMPER, REAR WHEEL .....	0.4
2	617197	SENSOR, WHEEL SPEED :REAR ....	0.4
3	7101A0	SPROCKET, FINAL DRIVEN .....	0.5
4	710160	AXLE, REAR WHEEL .....	0.4
7	7101B1	RING, PULSER :REAR .....	0.5
8	7101A5	FLANGE ASSY., FINAL DRIVEN ...	0.5
11	710118	REAR WHEEL .....	1.1
		.INCLUDES: Balance	
12	7101E1	WEIGHT, BALANCE :REAR .....	0.7
13	710142	REAR TIRE(ONE) .....	1.0
		.INCLUDES: Balance	
15	711145	DISC, REAR BRAKE .....	0.5
24	7101D1	BEARING, FINAL DRIVEN FLANGE -	0.6
25		(9,26)	
	710133	BEARING, REAR WHEEL(ONE) .....	0.6
	710133G	.Replace 1 bearing add .....	0.1

Ref. No.	Part No.	Description	Reqd. QTY						Serial No.	Parts catalogue code
			XL1000V			XL1000VA				
			7	8	9	7	8	9		
1	06410-MBB-000	DAMPER SET, WHEEL .....	1	1	1	1	1	1		
2	38510-MBT-C51	SENSOR, RR. WHEEL SPEED .....	-	-	-	1	1	1		
3	41201-MBT-610	SPROCKET, FINAL DRIVEN (47T)	1	1	1	1	1	1		
4	42301-MBT-D20	AXLE, RR. WHEEL .....	1	1	1	1	1	1		
5	42311-MBT-D20	COLLAR, RR. WHEEL SIDE .....	1	1	1	1	1	1		
6	42312-MBT-D10	COLLAR, RR. BRAKE SIDE .....	1	1	1	1	1	1		
7	42515-MBT-D50	RING, PULSER (RR.) .....	-	-	-	1	1	1		
8	42615-MBT-D20	FLANGE SUB ASSY., FINAL DRIVEN	1	1	1	1	1	1		
9	42620-MBT-610	COLLAR, RR. AXLE DISTANCE ...	1	1	1	1	1	1		
10	42625-MBT-D10	COLLAR B, RR. WHEEL DISTANCE	1	1	1	1	1	1		
11	42650-MBT-C40	WHEEL SUB ASSY., RR. ....	1	1	1	-	-	-		
	42650-MBT-C50	.....	-	-	-	1	1	1		
12	42704-MCF-D60	WEIGHT, BALANCE (10G) .....	N	N	N	N	N	N		
	42705-MCF-D60	WEIGHT, BALANCE (20G) .....	N	N	N	N	N	N		
	42706-MCF-D60	WEIGHT, BALANCE (30G) .....	N	N	N	N	N	N		
13	42711-MBT-D21	TIRE, RR. (BRIDGESTONE) (150/70R17 M/C 69H)	1	1	1	1	1	1		
14	42753-KBS-901	VALVE, RIM (WONDER) .....	1	1	1	1	1	1		
15	43351-MBT-D21	DISK, RR. BRAKE .....	1	1	1	1	1	1		
16	45157-MBT-D50	CLAMPER, SENSOR CORD .....	-	-	-	2	2	2		
17	90102-MAS-000	BOLT, STUD, 12X25 .....	5	5	5	5	5	5		
18	90105-MBB-000	BOLT, BRAKE DISK, 8X24 .....	6	6	6	6	6	6		
19	90131-MY3-781	BOLT, TORX, 5X14 .....	-	-	-	3	3	3		
20	90305-MB4-003	NUT, U, 18MM .....	1	1	1	1	1	1		
21	90306-KFO-003	NUT, FLANGE, 12MM .....	5	5	5	5	5	5		



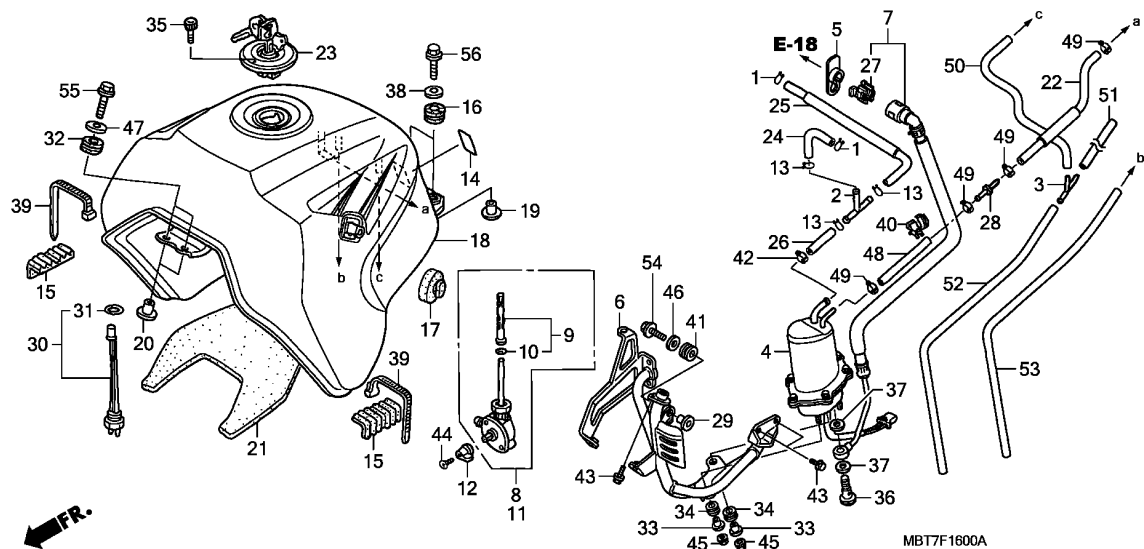


Ref. No.	Part No.	Description	Reqd. QTY						Serial No.	Parts catalogue code
			XL1000V			XL1000VA				
			7	8	9	7	8	9		
22	90690-MCA-003	CLIP, CABLE, 14MM .....	-	-	-	1	1	1		
23	90753-MG5-670	OIL SEAL, 34X62.2X7 .....	1	1	1	1	1	1		
24	91051-MBT-611	BEARING, RADIAL BALL, 6305(UU) .....	1	1	1	1	1	1		
25	91052-MAE-004	BEARING, RADIAL BALL, 6204UU .....	1	1	1	1	1	1		
26	91053-MM5-004	BEARING, RADIAL BALL, 6304UU .....	1	1	1	1	1	1		
27	91253-442-003	DUST SEAL, 30X52X7 .....	1	1	1	1	1	1		
28	91302-MA6-003	O-RING, 61X2 .....	1	1	1	1	1	1		
29	96001-06010-07	BOLT, FLANGE, 6X10 .....	-	-	-	3	3	3		

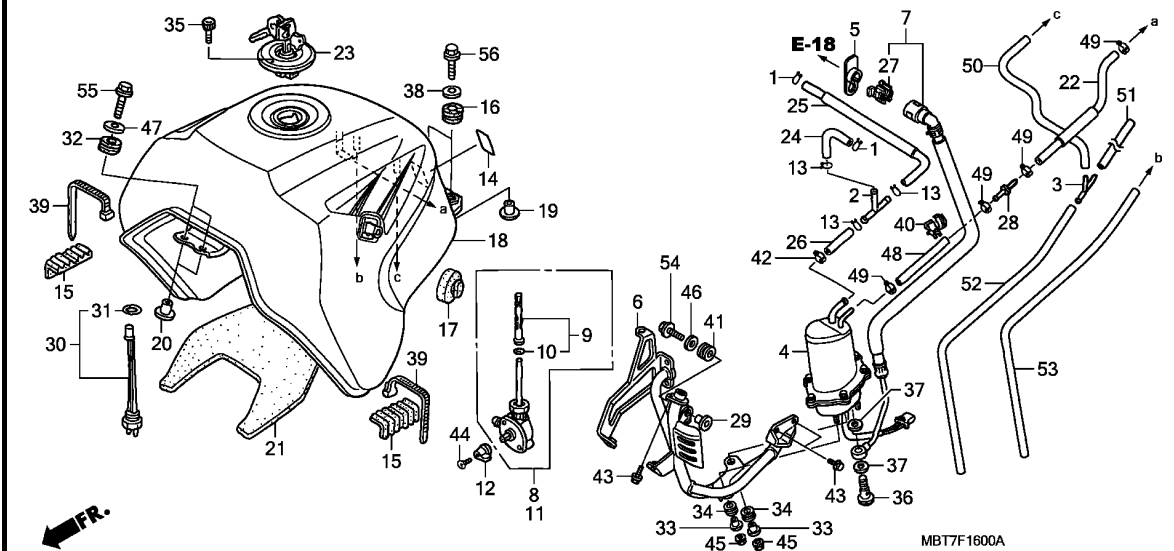


Ref. No.	L.O.N.	(Relative ref. Number) Description	F.R.T.
4	3101A0	PUMP, FUEL .....	0.7
6	310122	STAY, FUEL PUMP .....	0.3
7	310162	HOSE, FUEL FEED .....	1.4
8		(11)	
	310110	COCK ASSY., FUEL .....	0.8
		.NOTE: Same time for two units	
9	310115	SCREEN, FUEL STRAINER .....	0.8
		.NOTE: Same time for two units	
18	310100	TANK, FUEL .....	0.8
23	3101C1	LOCKING FUEL TANK CAP .....	0.1
30	6171B0	SENSOR, FUEL RESERVE .....	0.8

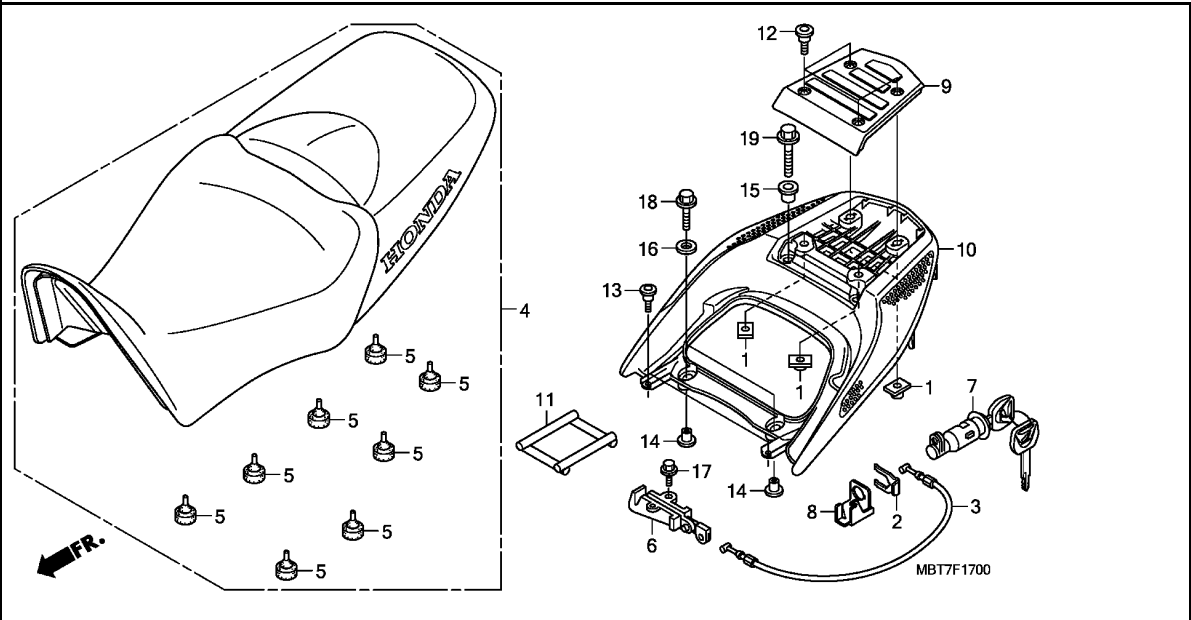
Ref. No.	Part No.	Description	Reqd. QTY						Serial No.	Parts catalogue code
			XL1000V			XL1000VA				
			7	8	9	7	8	9		
1	15771-551-000	CLIP, OIL DRAIN TUBE .....	2	2	2	2	2	2		
2	15772-KK0-000	JOINT, BREATHER THREE WAY ...	1	1	1	1	1	1		
3	16180-ML6-671	JOINT .....	1	1	1	1	1	1		
4	16700-MBT-D22	PUMP ASSY., FUEL .....	1	-	-	1	-	-		
	16700-MBT-D23	.....	-	1	1	-	1	1		
5	16719-MBT-C40	DAMPER, CONNECTOR .....	1	1	1	1	1	1		
6	16730-MBT-C40	STAY COMP., PUMP CASE .....	1	1	1	1	1	1		
7	16920-MBT-C41	HOSE COMP., FUEL FEED .....	1	1	1	1	1	1		
8	16950-MBT-613	COCK ASSY., FUEL (LH) .....	1	1	1	1	1	1		
9	16952-MBT-611	SCREEN SET, FUEL STRAINER ...	2	2	2	2	2	2		
10	16958-KM9-005	O-RING .....	2	2	2	2	2	2		
11	16960-MBT-613	COCK ASSY., FUEL (RH) .....	1	1	1	1	1	1		
12	16964-MBT-D10	LEVER, FUEL COCK .....	2	2	2	2	2	2		
13	17369-KB4-670	CLIP, BREATHER TUBE .....	3	3	3	3	3	3		
14	17503-MBT-D50	FILM, PROTECTOR .....	-	-	-	1	1	1		
15	17506-MBT-610	RUBBER, TANK SETTING .....	2	2	2	2	2	2		
16	17508-MY1-000	RUBBER, TANK MOUNTING .....	2	2	2	2	2	2		
17	17509-MBT-D20	RUBBER, SIDE TANK MOUNTING ..	2	2	2	2	2	2		
18	17520-MBT-C40ZC	TANK SET, FUEL *TYPE3*(WL) ..	1	1	1	1	1	1		
	17520-MBT-C40ZD	TANK SET, FUEL *TYPE1	1*							
		(WL)	1	1	1	1	1	1		
	17520-MBT-C40ZE	TANK SET, FUEL *TYPE2	1*							
		(WL)	1	-	-	1	-	-		
	17520-MBT-C80ZD	TANK SET, FUEL *TYPE1	1*							
		(WL)	-	1	-	-	1	-		
	17520-MBT-S20ZA	TANK SET, FUEL *TYPE1*(WL) ..	-	-	1	-	-	1		



Ref. No.	Part No.	Description	Reqd. QTY						Serial No.	Parts catalogue code
			XL1000V			XL1000VA				
			7	8	9	7	8	9		
19	17525-MY1-000	COLLAR, FUEL TANK MOUNTING ..	2	2	2	2	2	2		
20	17526-MBT-610	COLLAR, TANK MOUNTING .....	2	2	2	2	2	2		
21	17531-MBT-610	SEAT, FUEL TANK .....	1	1	1	1	1	1		
22	17613-MBT-D20	TUBE, DRAIN .....	1	1	1	1	1	1		
23	17620-MAS-E02	CAP COMP., FUEL FILLER .....	1	1	1	1	1	1		
24	17681-MBT-D20	TUBE A, FUEL .....	1	1	1	1	1	1		
25	17682-MBT-D20	TUBE B, FUEL .....	1	1	1	1	1	1		
26	17683-MBT-D20	TUBE C, FUEL .....	1	1	1	1	1	1		
27	17711-SOX-003	RETAINER (ORANGE) (TOKAI) ....	1	1	1	1	1	1		
28	19102-KT8-000	JOINT, TUBE .....	1	1	1	1	1	1		
29	33712-GC6-000	COLLAR, TAILLIGHT .....	1	1	1	1	1	1		
30	37810-MBT-612	SENSOR, FUEL RESERVE .....	1	1	1	1	1	1		
31	37811-MB1-008	PACKING, FUEL RESERVE SENSOR	1	1	1	1	1	1		
32	77206-MJ0-000	RUBBER, SEAT SETTING .....	2	2	2	2	2	2		
33	83505-KGB-610	COLLAR, COVER MOUNTING .....	2	2	2	2	2	2		
34	84905-459-670	RUBBER A, NUMBER BRACKET								
35	90074-MT4-000	BOLT, SOCKET, 4X21 .....	3	3	3	3	3	3		
36	90108-MBG-000	BOLT, BANJO, 12MM .....	1	1	1	1	1	1		
37	90428-PD6-003	WASHER, SEALING, 12MM .....	2	2	2	2	2	2		
38	90534-O11-000	WASHER, 8.3MM .....	2	2	2	2	2	2		
39	90651-KV6-003	BAND, WIRE, 165MM .....	2	2	2	2	2	2		
40	90690-GHB-651	CLIP, CABLE, 15MM .....	1	1	1	1	1	1		
41	90851-961-000	RUBBER, TAILLIGHT MOUNTING ..	1	1	1	1	1	1		



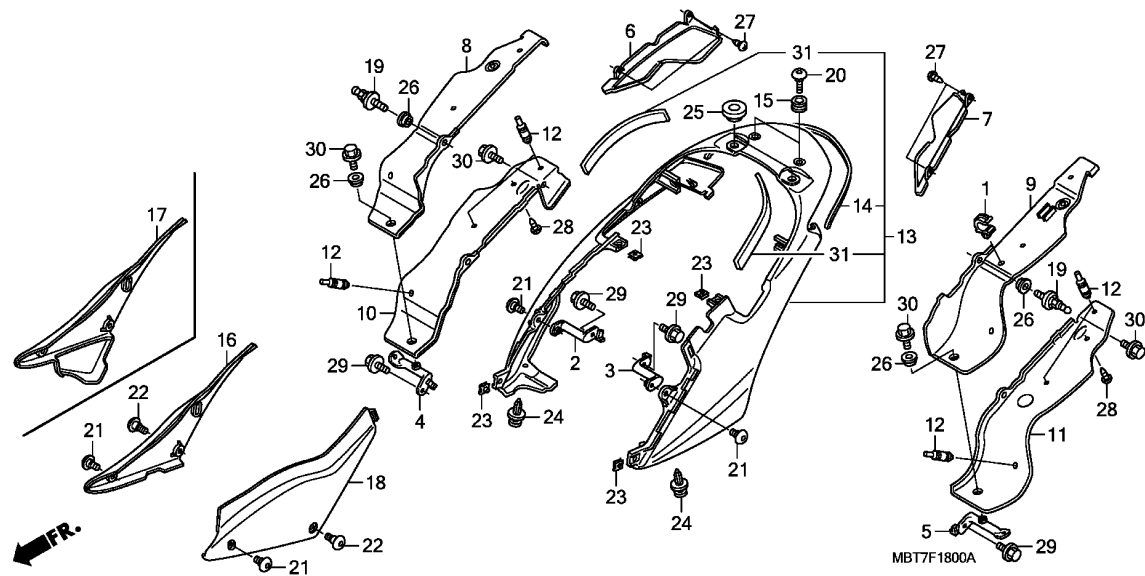
Ref. No.	Part No.	Description	Reqd. QTY						Serial No.	Parts catalogue code
			XL1000V			XL1000VA				
			7	8	9	7	8	9		
42	91406-MS8-000	CLAMP, TUBE (D14.5) .....	1	1	1	1	1	1		
43	93401-06016-07	BOLT-WASHER, 6X16 .....	3	3	3	3	3	3		
44	93600-05014-0A	SCREW, FLAT, 5X14 .....	2	2	2	2	2	2		
45	94050-06080	NUT, FLANGE, 6MM .....	2	2	2	2	2	2		
46	94101-06700	WASHER, PLAIN, 6MM .....	1	1	1	1	1	1		
47	94103-06700	WASHER, PLAIN, 6MM .....	2	2	2	2	2	2		
48	95001-75260-40	TUBE, FUEL, 7.3X260 (95001-75001-60M)	1	1	1	1	1	1		
49	95002-41200-04	CLAMP, TUBE (D12) .....	4	4	4	4	4	4		
50	95005-45260-20	TUBE, 4.5X260(95005-45001-20M)	1	1	1	1	1	1		
51	95005-55490-20	TUBE, 5.3X490(95005-55001-20M)	1	1	1	1	1	1		
52	95005-55640-20	TUBE, 5.3X640(95005-55001-20M)	1	1	1	1	1	1		
53	95005-80920-20	TUBE, 8X920(95005-80001-20M)	1	1	1	1	1	1		
54	95701-06016-07	BOLT, FLANGE, 6X16 .....	1	1	1	1	1	1		
55	96001-06028-07	BOLT, FLANGE, 6X28 .....	2	2	2	2	2	2		
56	96300-08038-00	BOLT, FLANGE, 8X38 .....	2	2	2	2	2	2		



Ref. No.	L.O.N.	(Relative ref. Number) Description	F.R.T.
3	811175	CABLE, SEAT LOCK .....	0.2
6	4131N5	HOOK, SEAT CATCH .....	0.1
7	4131F2	KEY, SEAT LOCK .....	0.1
9	4131Y3	COVER, REAR GRIP .....	0.1
10	410165	CARRIER, LUGGAGE .....	0.2

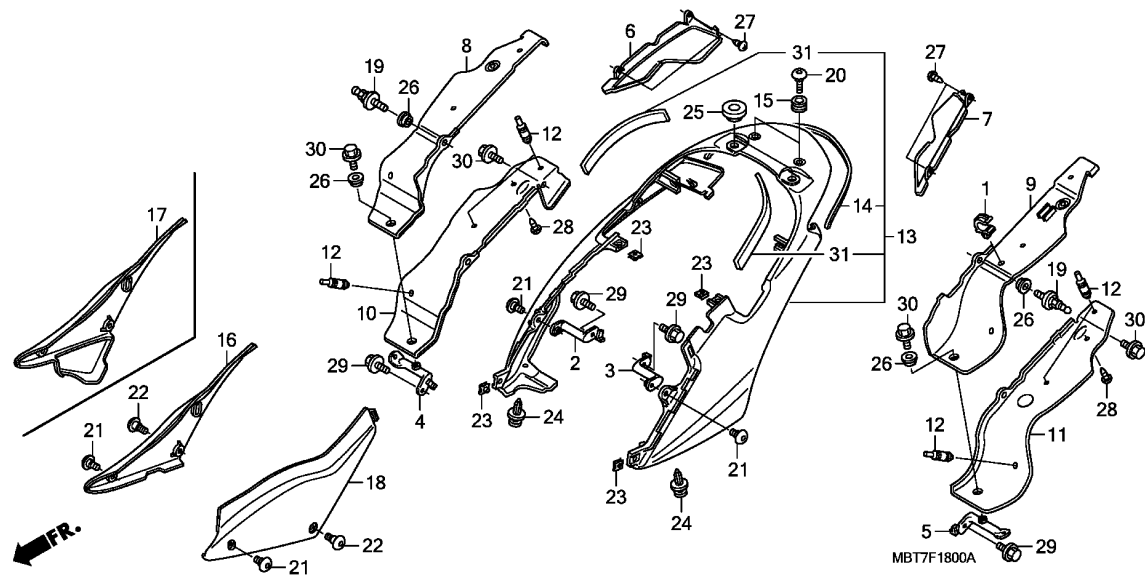


Ref. No.	Part No.	Description	Reqd. QTY						Serial No.	Parts catalogue code
			XL1000V			XL1000VA				
			7	8	9	7	8	9		
1	61304-165-013	NUT, HEADLIGHT SETTING .....	4	4	4	4	4	4		
2	75581-GN8-920	SPRING, LOCK KEY SETTING ....	1	1	1	1	1	1		
3	77156-MBT-C40	CABLE, SEAT LOCK .....	1	1	1	1	1	1		
4	77200-MBT-C40	SEAT COMP., DOUBLE .....	1	1	1	1	1	1		
5	77206-MBT-D20	RUBBER, SEAT CUSHION .....	8	8	8	8	8	8		
6	77220-KY6-010	HOOK, SEAT CATCH .....	1	1	1	1	1	1		
7	77234-MBL-611	KEY, SEAT LOCK .....	1	1	1	1	1	1		
8	77242-MAT-000	STAY, SEAT LOCK CABLE .....	1	1	1	1	1	1		
9	77313-MCS-G00	COVER, GRAB RAIL CENTER .....	1	1	1	1	1	1		
10	81300-MBT-C40ZA	CARRIER, RR. *NH146M*	1	1	1	1	1	1		
		ACCURATE SILVER METALLIC	1	1	1	1	1	1		
11	89020-MBT-D20	BAR, TANK BRIDGE .....	1	1	1	1	1	1		
12	90102-MBT-C40	SCREW, SPECIAL, 8X18 .....	4	4	4	4	4	4		
13	90137-MCA-000	SCREW, SPECIAL, 6MM .....	2	2	2	2	2	2		
14	91501-MBT-C40	COLLAR, CARRIER MOUNTING FR.	2	2	2	2	2	2		
15	91502-MBT-610	COLLAR, CARRIER MOUNTING RR.	2	2	2	2	2	2		
16	94103-08800	WASHER, PLAIN, 8MM .....	2	2	2	2	2	2		
17	95701-06014-00	BOLT, FLANGE, 6X14 .....	1	1	1	1	1	1		
18	95701-08030-07	BOLT, FLANGE, 8X30 .....	2	2	2	2	2	2		
19	95701-10045-08	BOLT, FLANGE, 10X45 .....	2	2	2	2	2	2		

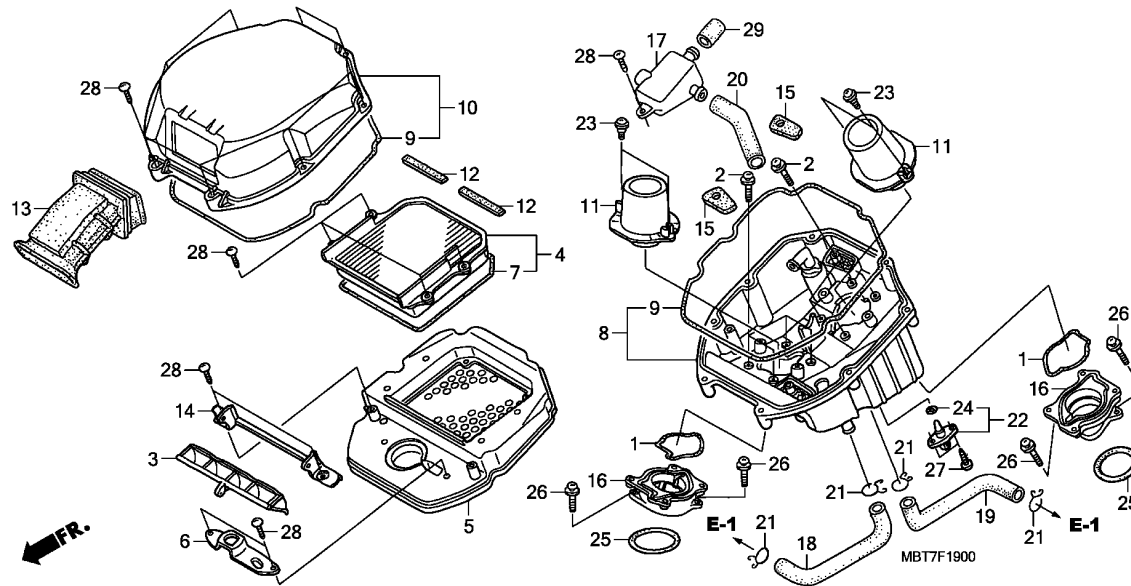


Ref. No.	L.O.N.	(Relative ref. Number) Description	F.R.T.
8		(10)	
	4111H2	PANEL, SEAT COWL INNER :RIGHT	0.4
	4111H4	PANEL, SEAT COWL INNER :BOTH	0.5
9		(11)	
	4111H3	PANEL, SEAT COWL INNER :LEFT	0.4
	4111H4	PANEL, SEAT COWL INNER :BOTH	0.5
13	411135	COWL, REAR	0.3
16		(17)	
	4111H9	COVER, SIDE :RIGHT	0.1
	4111J0	COVER, SIDE :BOTH	0.1
18	4111H8	COVER, SIDE :LEFT	0.1
	4111J0	COVER, SIDE :BOTH	0.1

Ref. No.	Part No.	Description	Reqd. QTY						Serial No.	Parts catalogue code
			XL1000V			XL1000VA				
			7	8	9	7	8	9		
1	16731-ZE2-003	CLIP, TUBE	1	1	1	1	1	1		
2	77231-MBT-C40	STAY, R. SEAT COWL UPPER	1	1	1	1	1	1		
3	77232-MBT-C40	STAY, L. SEAT COWL UPPER	1	1	1	1	1	1		
4	77233-MBT-C40	STAY, R. SEAT COWL LOWER	1	1	1	1	1	1		
5	77234-MBT-C40	STAY, L. SEAT COWL LOWER	1	1	1	1	1	1		
6	77253-MBT-C40	PLATE, R. SEAT COWL SET	1	1	1	1	1	1		
7	77254-MBT-C40	PLATE, L. SEAT COWL SET	1	1	1	1	1	1		
8	77255-MBT-C40	PANEL, R. SEAT COWL INNER	1	1	1	1	1	1		
9	77256-MBT-C40	PANEL, L. SEAT COWL INNER	1	1	1	1	1	1		
10	77257-MBT-C40	PLATE, R. HEAT PROTECTION	1	1	1	1	1	1		
11	77258-MBT-C40	PLATE, L. HEAT PROTECTION	1	1	1	1	1	1		
12	77259-MBT-D20	RUBBER, MOUNTING	6	6	6	6	6	6		
13	77260-MBT-C40ZA	COWL ASSY., SEAT								
		*NHA65P*.PEARL CONCOURS BLACK	1	1	1	1	1	1		
	77260-MBT-C40ZB	*NHA83M* CHEVALIER SILVER METALLIC	1	1	1	1	1	1		
	77260-MBT-C40ZC	*R319M*...BLOOM RED METALLIC	1	-	-	1	-	-		
	77260-MBT-C40ZD	*YR290M* ECLIPSE ORANGE METALLIC	-	1	-	-	1	-		
	77260-MBT-C40ZE	*Y199M*BARLEY YELLOW METALLIC	-	-	1	-	-	1		
14	77261-MBT-C40	MAT, SEAT COWL	1	1	1	1	1	1		
15	80123-MER-D00	RUBBER, RR. COWL MOUNTING	2	2	2	2	2	2		
16	83510-MBT-C40	COVER, R. SIDE	1	1	1	-	-	-		
17	83510-MBT-C50	COVER, R. SIDE	-	-	-	1	1	1		
18	83610-MBT-C40	COVER, L. SIDE	1	1	1	1	1	1		



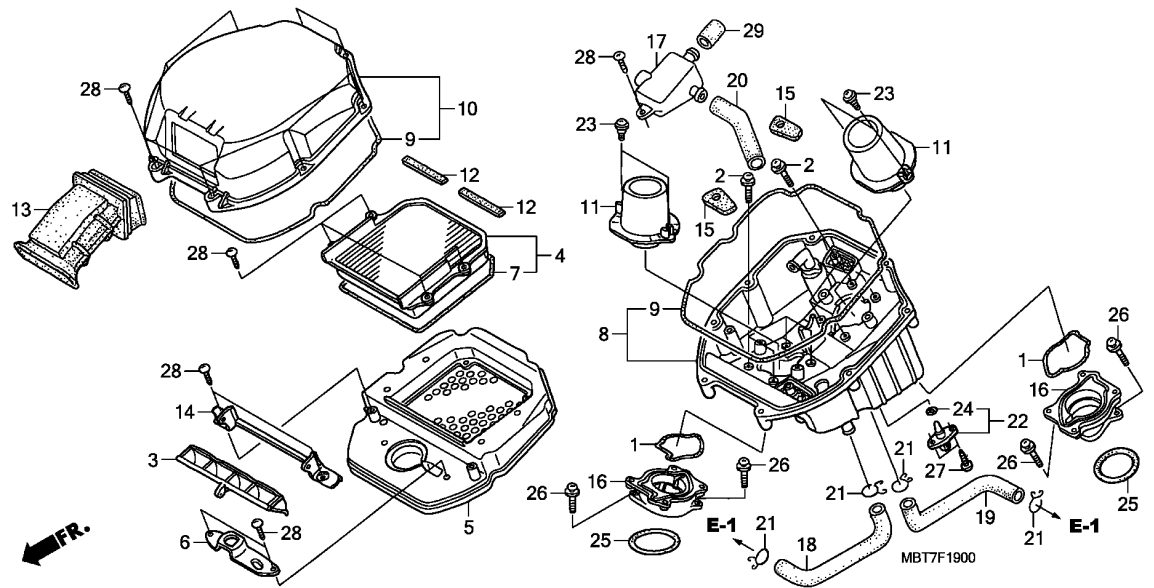
Ref. No.	Part No.	Description	Reqd. QTY						Serial No.	Parts catalogue code
			XL1000V			XL1000VA				
			7	8	9	7	8	9		
19	90102-758-800	BOLT, P.T.O. RETURN SPRING, 6MM	2	2	2	2	2	2		
20	90106-KCR-000	SCREW, PAN, 5X19 .....	2	2	2	2	2	2		
21	90106-KY2-701	SCREW, PAN, 6X11 .....	4	4	4	4	4	4		
22	90113-MM5-000	SCREW, PAN, 6X14 .....	2	2	2	2	2	2		
23	90320-MM5-000	NUT, SPRING, 6MM .....	4	4	4	4	4	4		
24	90683-GR1-003	CLIP, BODY COVER .....	2	2	2	2	2	2		
25	91503-MBT-610	COLLAR, SEAT COWL MOUNTING ..	2	2	2	2	2	2		
26	91505-MBT-C40	COLLAR, SEAT COWL INNER MOUNT	4	4	4	4	4	4		
27	93901-25120	SCREW, TAPPING, 5X10 .....	4	4	4	4	4	4		
28	93913-252J0	SCREW, TAPPING, 5X12(PO) ....	2	2	2	2	2	2		
29	95701-06012-07	BOLT, FLANGE, 6X12 .....	4	4	4	4	4	4		
30	95701-06012-08	BOLT, FLANGE, 6X12 .....	4	4	4	4	4	4		
31	77262-MBT-C40	SEAL, SEAT COWL .....	2	2	2	2	2	2		



Ref. No.	L.O.N.	(Relative ref. Number) Description	F.R.T.
4	312105	ELEMENT, AIR CLEANER .....	0.8
5	3121A8	BASE, AIR CLEANER ELEMENT ....	0.9
8	3121A5	CASE, AIR CLEANER .....	1.0
10	312102	COVER, AIR CLEANER CASE .....	0.9
11	312127	FUNNEL, AIR .....	0.8
.NOTE: Same time for two units			
13	3121D3	DUCT, AIR INTAKE .....	0.9
16	3121B6	TUBE, AIR CLEANER CONNECTING . .NOTE: Same time for two units	0.9
17	312110	TANK, BREATHER .....	0.8
22	617120	SENSOR, AIR TEMP .....	1.0

Ref. No.	Part No.	Description	Reqd. QTY						Serial No.	Parts catalogue code
			XL1000V			XL1000VA				
			7	8	9	7	8	9		
1	16076-MBT-F21	O-RING .....	2	2	2	2	2	2		
2	16080-MV9-670	SCREW-WASHER .....	8	8	8	8	8	8		
3	17204-MBT-D20	VALVE, AIR CONTROL .....	1	1	1	1	1	1		
4	17210-MBT-D20	ELEMENT, AIR CLEANER .....	1	1	1	1	1	1		
5	17211-MBT-D20	BASE, AIR CLEANER ELEMENT ...	1	1	1	1	1	1		
6	17212-MBT-D20	STAY, DIAPHRAGM .....	1	1	1	1	1	1		
7	17213-MBT-D20	SEAL, SUB AIR CLEANER .....	1	1	1	1	1	1		
8	17221-MBT-C40	CASE COMP., AIR CLEANER .....	1	1	1	1	1	1		
9	17222-MBB-300	SEAL, AIR CLEANER .....	2	2	2	2	2	2		
10	17231-MBT-D11	COVER COMP., AIR CLEANER .....	1	1	1	1	1	1		
11	17239-MBT-D20	FUNNEL, AIR .....	2	2	2	2	2	2		
12	17241-MBT-D20	SEAL, AIR CONTROL VALVE .....	2	2	2	2	2	2		
13	17251-MBT-D10	DUCT, AIR CLEANER INTAKE .....	1	1	1	1	1	1		
14	17252-MBT-D20	INNER, AIR CLEANER DUCT .....	1	1	1	1	1	1		
15	17254-MBB-000	FILTER, SUB AIR CLEANER .....	2	2	2	2	2	2		
16	17255-MBT-C40	JOINT, THROTTLE BODY .....	2	2	2	2	2	2		
17	17365-MBB-000	TANK, BREATHER .....	1	1	1	1	1	1		
18	17551-MBB-000	TUBE, FR. BREATHER .....	1	1	1	1	1	1		
19	17552-MBB-000	TUBE, RR. BREATHER .....	1	1	1	1	1	1		
20	17553-MBB-000	TUBE A, BREATHER .....	1	1	1	1	1	1		
21	18532-634-670	CLIP, AIR HOSE, 21.5 .....	4	4	4	4	4	4		
22	37880-P05-A00	SENSOR ASSY., AIR TEMP .....	1	1	1	1	1	1		
23	90105-MB1-000	SCREW, SPECIAL, 5X12 .....	4	4	4	4	4	4		
24	91303-PK2-005	O-RING, 7.5X1.5 .....	1	1	1	1	1	1		
25	91351-MBT-C40	O-RING, 53X3 .....	2	2	2	2	2	2		



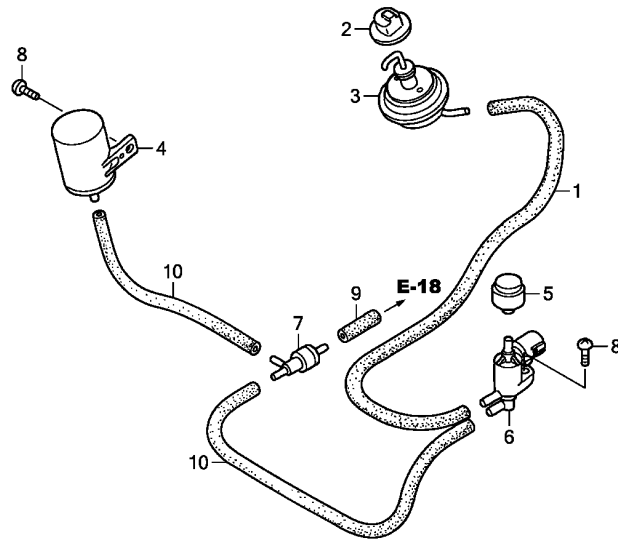


Ref. No.	Part No.	Description	Reqd. QTY						Serial No.	Parts catalogue code
			XL1000V			XL1000VA				
			7	8	9	7	8	9		
26	93892-05016-10	SCREW-WASHER, 5X16 .....	4	4	4	4	4	4		
27	93901-25410	SCREW, TAPPING, 5X20 .....	2	2	2	2	2	2		
28	93903-25480	SCREW, TAPPING, 5X20 .....	17	17	17	17	17	17		
29	95005-17045-20	TUBE, 17X45 (95005-17001-20M)	1	1	1	1	1	1		

# F-19-1

# BYPASS CONTROL SOLENOID VALVE

**H 9**



Ref. No.	L.O.N.	(Relative ref. Number) Description	F.R.T.
3	3121B3	DIAPHRAGM, AIR INTAKE DUCT VALVE CONTROL .....	1.0
4	3121C4	CHAMBER, VACUUM .....	0.5
6	314141	VALVE, AIR INTAKE CONTROL SOLENOID .....	0.6

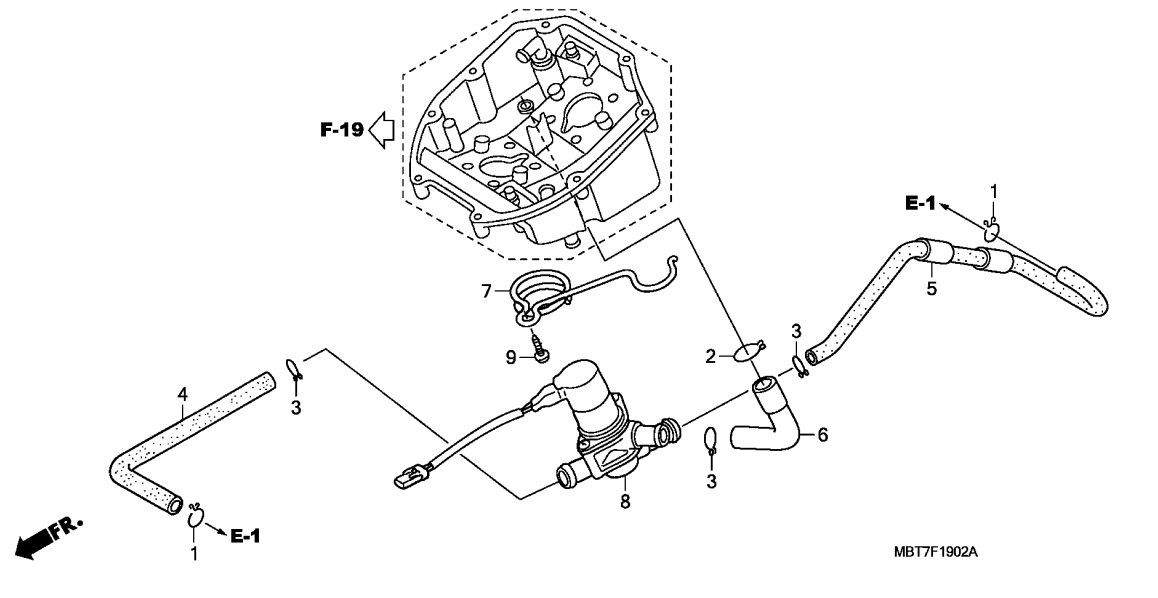
Ref. No.	Part No.	Description	Reqd. QTY						Serial No.	Parts catalogue code
			XL1000V			XL1000VA				
			7	8	9	7	8	9		
1	17216-MBT-D20	TUBE, DIAPHRAGM CONTROL .....	1	1	1	1	1	1		
2	17237-MBT-D20	CAP, DIAPHRAGM .....	1	1	1	1	1	1		
3	17238-MBT-D21	DIAPHRAGM, CONTROL VALVE .....	1	1	1	1	1	1		
4	36132-PH4-671	CHAMBER COMP., VACUUM (50) ..	1	1	1	1	1	1		
5	36138-PR7-A01	FILTER ASSY., SOLENOID VALVE	1	1	1	1	1	1		
6	36163-PV0-004	VALVE ASSY., BYPASS CONTROL SOLENOID	1	1	1	1	1	1		
7	36627-MN5-000	VALVE, INTAKE AIR SHOT AIR CHECK	1	1	1	1	1	1		
8	93500-05016-1G	SCREW, PAN, 5X16 .....	2	2	2	2	2	2		
9	95005-35030-10	TUBE, 3.5X30(95005-35001-10M)	1	1	1	1	1	1		
10	95005-35200-10	TUBE, 3.5X200(95005-35001-10M)	2	2	2	2	2	2		

**3**

**F-19-2**

**AIR INJECTION CONTROL VALVE**

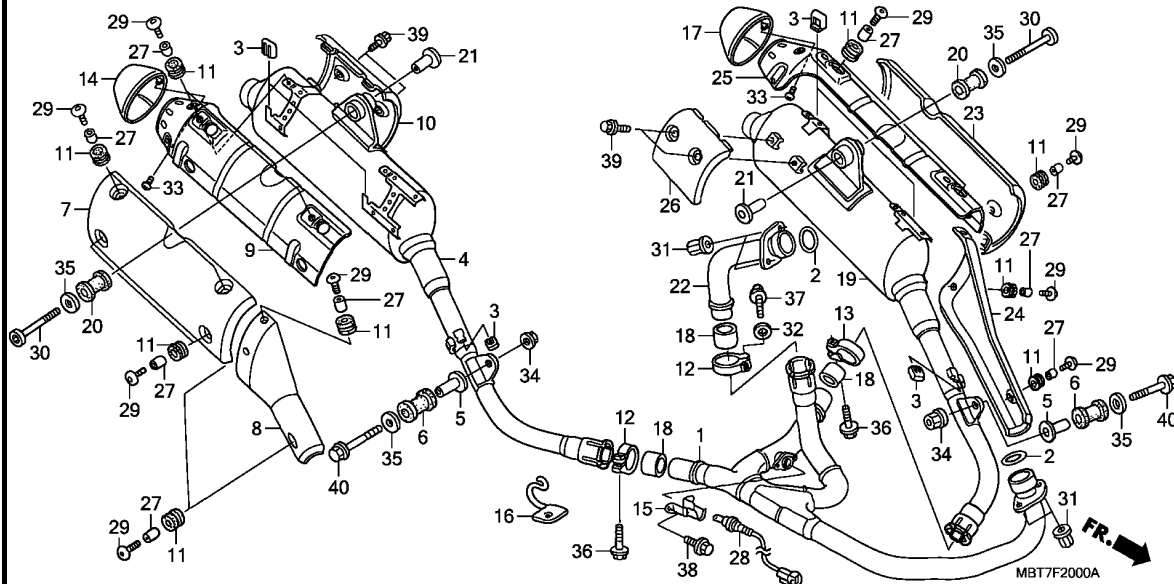
**H10**



Ref. No.	L.O.N.	(Relative ref. Number) Description	F.R.T.
8	314130	VALVE, SECONDARY AIR CONTROL	1.1

**3**

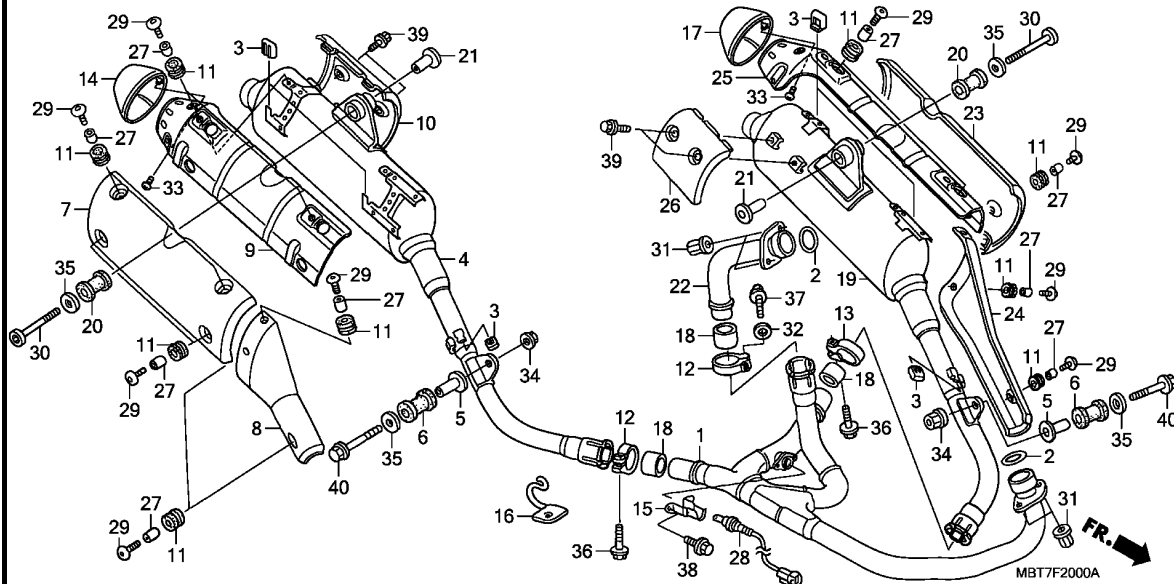
Ref. No.	Part No.	Description	Reqd. QTY						Serial No.	Parts catalogue code
			XL1000V			XL1000VA				
			7	8	9	7	8	9		
1	16968-MC7-000	CLIP B, FUEL HOSE .....	2	2	2	2	2	2		
2	17554-MB0-000	CLIP, BREATHER TUBE .....	1	1	1	1	1	1		
3	17724-102-700	CLIP, SUB TANK HOSE .....	3	3	3	3	3	3		
4	18651-MBT-610	TUBE, FR. (AI) .....	1	1	1	1	1	1		
5	18652-MBT-C40	TUBE, RR. U (AI) .....	1	1	1	1	1	1		
6	18653-MBT-D20	TUBE C, AIR VENT .....	1	1	1	1	1	1		
7	18660-MBT-D20	STAY, AIR INJECTION CONTROL VALVE	1	1	1	1	1	1		
8	36450-MCH-010	VALVE ASSY., EX. AIR INJECTION	1	1	1	1	1	1		
9	93903-25480	SCREW, TAPPING, 5X20 .....	1	1	1	1	1	1		



Ref. No.	L.O.N.	(Relative ref. Number) Description	F.R.T.
1	313110	PIPE, EXHAUST .....	0.8
2	3131J1	GASKET, EXHAUST PIPE :FRONT ..	0.8
	3131J2	GASKET, EXHAUST PIPE :REAR ...	1.0
	3131J3	GASKET, EXHAUST PIPE :FOR 1 VEHICLE .....	1.0
4	3131B6	MUFFLER :RIGHT .....	0.7
	3131D6	MUFFLER :BOTH .....	1.0
7	3131A4	PROTECTOR, MUFFLER :RIGHT ....	0.5
	3131A5	PROTECTOR, MUFFLER :BOTH ....	0.5
8	3131A8	PROTECTOR, EXHAUST PIPE :RIGHT	0.7
	3131A9	PROTECTOR, EXHAUST PIPE :BOTH	1.0
10	3131D8	PROTECTOR, MUFFLER INNER :RIGHT .....	0.2
	3131E0	PROTECTOR, MUFFLER INNER :BOTH (9)	0.3
14	3131F5	PIECE, MUFFLER TAIL :RIGHT ...	0.6
	3131L0	PIECE, MUFFLER TAIL :BOTH .... (25)	0.8
17	3131F4	PIECE, MUFFLER TAIL :LEFT ....	0.6
	3131L0	PIECE, MUFFLER TAIL :BOTH ....	0.8
19	3131B5	MUFFLER :LEFT .....	0.7
	3131D6	MUFFLER :BOTH .....	1.0
22	3131D7	PIPE, EXHAUST :REAR .....	0.9
23	3131A3	PROTECTOR, MUFFLER :LEFT .....	0.5
	3131A5	PROTECTOR, MUFFLER :BOTH .....	0.5

Ref. No.	Part No.	Description	Reqd. QTY						Serial No.	Parts catalogue code
			XL1000V			XL1000VA				
			7	8	9	7	8	9		
1	18150-MBT-G20	PIPE COMP., EX. ....	1	1	1	1	1	1		
2	18291-MM8-880	GASKET, EX. PIPE .....	2	2	2	2	2	2		
3	18293-MCA-A20	RUBBER, PROTECTOR PACKING ...	6	6	6	6	6	6		
4	18310-MBT-C40	MUFFLER COMP., R. ....	1	1	1	1	1	1		
5	18327-KAE-000	COLLAR, CHAMBER RR. (8.5X15)	2	2	2	2	2	2		
6	18328-KAE-000	RUBBER, CHAMBER RR. MOUNTING	2	2	2	2	2	2		
7	18341-MBT-D10	PROTECTOR, R. RR. MUFFLER ...	1	-	-	1	-	-		
	18341-MBT-D11	.....	-	1	1	-	1	1		
8	18342-MBT-C40	PROTECTOR, R. FR. MUFFLER ...	1	1	1	1	1	1		
9	18343-MBT-C40	PROTECTOR, R. MUFFLER INNER ..	1	1	1	1	1	1		
10	18344-MBT-D10	PROTECTOR, INNER (RH) .....	1	1	1	1	1	1		
11	18345-MBT-610	RUBBER, PROTECTOR MOUNTING ..	18	18	18	18	18	18		
12	18373-413-000	BAND, R. FR. MUFFLER .....	2	2	2	2	2	2		
13	18374-413-000	BAND, L. FR. MUFFLER .....	1	1	1	1	1	1		
14	18380-MBT-C40ZA	COVER, R. TAIL CAP *NH300M*								
		MUSCULAR GRAY METALLIC	1	1	1	1	1	1		
15	18383-MBT-D20	GUARD, OXYGEN SENSOR .....	1	1	1	1	1	1		
16	18384-MBT-D20	CLAMP, OXYGEN SENSOR .....	1	1	1	1	1	1		
17	18390-MBT-C40ZA	COVER, L. TAIL CAP *NH300M*								
		MUSCULAR GRAY METALLIC	1	1	1	1	1	1		
18	18392-MK4-000	PACKING, MUFFLER .....	3	3	3	3	3	3		
19	18410-MBT-C40	MUFFLER COMP., L. ....	1	1	1	1	1	1		
20	18421-MBT-D21	RUBBER, MUFFLER MOUNTING ....	2	2	2	2	2	2		





Ref. No.	L.O.N.	(Relative ref. Number) Description	F.R.T.
24	3131A7	PROTECTOR, EXHAUST PIPE :LEFT	0.7
	3131A9	PROTECTOR, EXHAUST PIPE :BOTH	1.0
26	3131D9	PROTECTOR, MUFFLER INNER :LEFT	0.2
	3131E0	PROTECTOR, MUFFLER INNER :BOTH	0.3
28	617121	SENSOR, OXYGEN .....	0.3

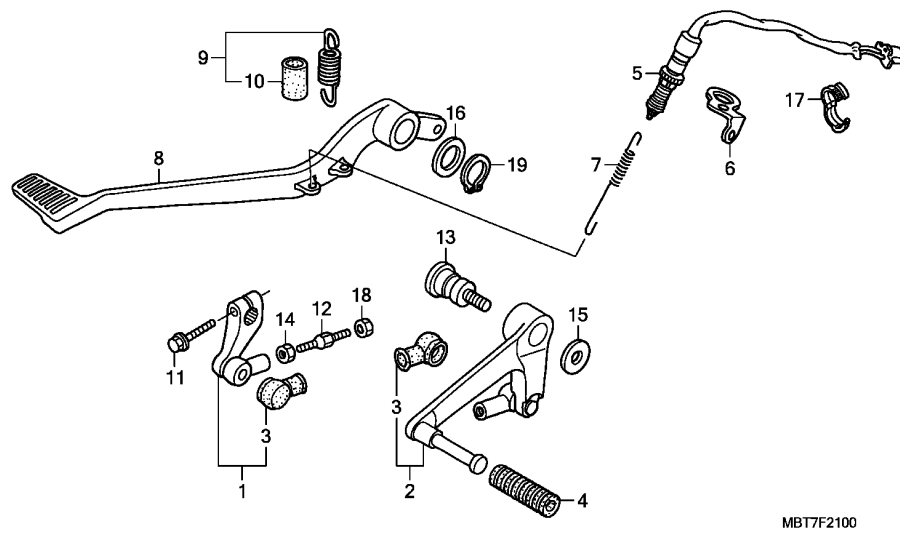
3

Ref. No.	Part No.	Description	Reqd. QTY						Serial No.	Parts catalogue code
			XL1000V			XL1000VA				
			7	8	9	7	8	9		
21	18422-MA6-000	COLLAR, MUFFLER MOUNTING .....	2	2	2	2	2	2		
22	18430-MBT-D20	PIPE, RR. EX. ....	1	1	1	1	1	1		
23	18441-MBT-D10	PROTECTOR, L. RR. MUFFLER ...	1	-	-	1	-	-		
	18441-MBT-D11	.....	-	1	1	-	1	1		
24	18442-MBT-C40	PROTECTOR, L. FR. MUFFLER ...	1	1	1	1	1	1		
25	18443-MBT-C40	PROTECTOR, L. MUFFLER INNER -	1	1	1	1	1	1		
26	18444-MBT-D10	PROTECTOR, INNER (LH) .....	1	1	1	1	1	1		
27	33619-459-840	COLLAR, WINKER STAY .....	18	18	18	18	18	18		
28	36531-MBT-C41	SENSOR, OXYGEN .....	1	1	1	1	1	1		
29	90106-KRG-000	SCREW, PAN, 6X12 .....	18	18	18	18	18	18		
30	90156-MBL-610	BOLT, SOCKET, 8X55 .....	2	2	2	2	2	2		
31	90304-MM5-000	NUT, FLANGE, 7MM .....	4	4	4	4	4	4		
32	90483-028-000	WASHER, 8MM .....	1	1	1	1	1	1		
33	93913-241J0	SCREW, TAPPING, 4X10(PO) ....	6	6	6	6	6	6		
34	94050-08000	NUT, FLANGE, 8MM .....	2	2	2	2	2	2		
35	94103-08000	WASHER, PLAIN, 8MM .....	4	4	4	4	4	4		
36	95701-08035-00	BOLT, FLANGE, 8X35 .....	2	2	2	2	2	2		
37	95701-08040-00	BOLT, FLANGE, 8X40 .....	1	1	1	1	1	1		
38	96001-06008-00	BOLT, FLANGE, 6X8 .....	2	2	2	2	2	2		
39	96001-06008-02	BOLT, FLANGE, 6X8 .....	4	4	4	4	4	4		
40	96400-08032-00	BOLT, FLANGE, 8X32 .....	2	2	2	2	2	2		

F-21

PEDAL

H13

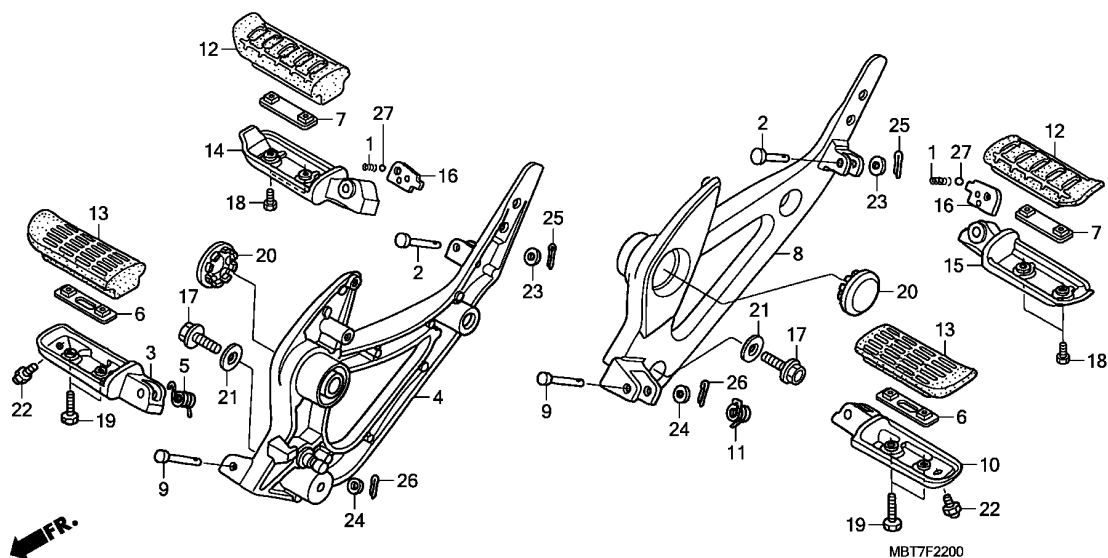


MBT7F2100

Ref. No.	L.O.N.	(Relative ref. Number) Description	F.R.T.
1	4101A2	ARM, GEAR CHANGE .....	0.1
2	4101A1	PEDAL, GEAR CHANGE .....	0.3
5	6151B5	SWITCH, REAR STOP :PEDAL SIDE	0.3
8	810160	PEDAL, REAR BRAKE .....	0.6

Ref. No.	Part No.	Description	Reqd. QTY						Serial No.	Parts catalogue code
			XL1000V			XL1000VA				
			7	8	9	7	8	9		
1	24710-MBT-D20	ARM COMP., GEAR CHANGE .....	1	1	1	1	1	1		
2	24720-MBT-D20	PEDAL COMP., GEAR CHANGE ....	1	1	1	1	1	1		
3	24724-422-000	COVER, DUST .....	2	2	2	2	2	2		
4	24781-KR3-770	RUBBER, GEAR CHANGE PEDAL ...	1	1	1	1	1	1		
5	35350-KW6-960	SWITCH ASSY., RR. STOP .....	1	1	1	-	-	-		
	35350-MBT-D50	.....	-	-	-	1	1	1		
6	35350-MBT-610	STAY, STOP SWITCH .....	1	1	1	1	1	1		
7	35357-KC1-730	SPRING, STOP SWITCH .....	1	1	1	1	1	1		
8	46510-MBT-D20	PEDAL COMP., BRAKE .....	1	1	1	1	1	1		
9	46513-MBB-000	SPRING SET, BRAKE PEDAL .....	1	1	1	1	1	1		
10	46515-MN1-670	TUBE, BRAKE PEDAL SPRING ....	1	1	1	1	1	1		
11	90010-MLO-720	BOLT, FLANGE, 6X20 .....	1	1	1	1	1	1		
12	90065-KC1-000	BOLT, TIE ROD .....	1	1	1	1	1	1		
13	90113-MBB-000	BOLT, CHANGE PIVOT .....	1	1	1	1	1	1		
14	90201-700-000	NUT, GOVERNOR ARM FIXING (LEFT HAND THREAD)	1	1	1	1	1	1		
15	90524-030-000	WASHER A, HANDLE HOLDER SETTING	1	1	1	1	1	1		
16	90557-230-000	WASHER, 15.2X25 .....	1	1	1	1	1	1		
17	90683-KJ2-003	CLIP, WIRE HARNESS .....	1	1	1	1	1	1		
18	94001-06020-0S	NUT, HEX., 6MM .....	1	1	1	1	1	1		
19	94511-15000	CIRCLIP, EXTERNAL, 15MM .....	1	1	1	1	1	1		

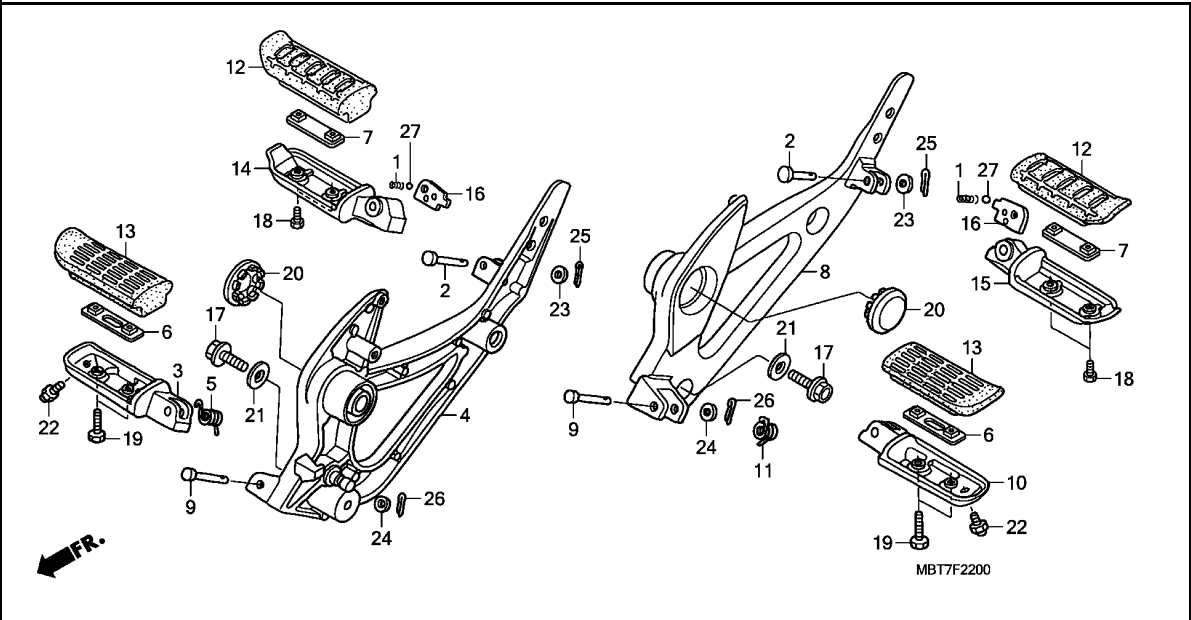
3



Ref. No.	L.O.N.	(Relative ref. Number) Description	F.R.T.
3	4101C6	BAR, MAIN STEP :RIGHT	0.1
	4101J1	BAR, MAIN STEP :BOTH	0.2
4	4101C4	BRACKET, STEP :RIGHT	0.7
	4101N7	BRACKET, STEP :BOTH	1.0
8	4101C3	BRACKET, STEP :LEFT	0.4
	4101N7	BRACKET, STEP :BOTH	1.0
10	4101C5	BAR, MAIN STEP :LEFT	0.1
	4101J1	BAR, MAIN STEP :BOTH	0.2
14	4101C8	BAR, PILLION STEP :RIGHT	0.1
	4101P4	BAR, PILLION STEP :BOTH	0.2
15	4101C7	BAR, PILLION STEP :LEFT	0.1
	4101P4	BAR, PILLION STEP :BOTH	0.2

3

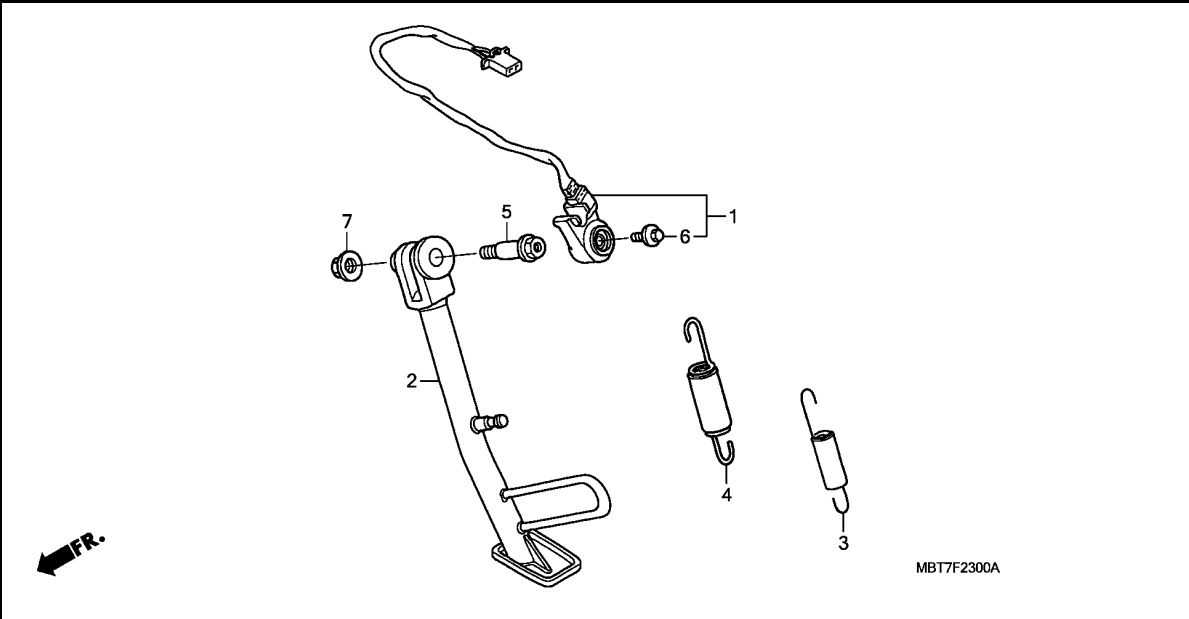
Ref. No.	Part No.	Description	Reqd. QTY						Serial No.	Parts catalogue code
			XL1000V			XL1000VA				
			7	8	9	7	8	9		
1	28333-300-000	SPRING, KICK STARTER STOPPER	2	2	2	2	2	2		
2	50603-MBT-610	PIN, PILLION STEP JOINT	2	2	2	2	2	2		
3	50612-MBT-610	ARM, R. MAIN STEP	1	1	1	1	1	1		
4	50615-MBT-610	BRACKET, R. STEP	1	1	1	1	1	1		
5	50617-445-840	SPRING, R. STEP RETURN	1	1	1	1	1	1		
6	50619-MM5-000	PLATE, STEP SETTING	2	2	2	2	2	2		
7	50619-MT3-000	PLATE, STEP SETTING	2	2	2	2	2	2		
8	50625-MBT-610	BRACKET, L. STEP	1	1	1	1	1	1		
9	50639-MLO-010	PIN, STEP BAR	2	2	2	2	2	2		
10	50642-MBT-610	ARM, L. MAIN STEP	1	1	1	1	1	1		
11	50644-445-840	SPRING, L. STEP RETURN	1	1	1	1	1	1		
12	50661-MT3-000	RUBBER, STEP	2	2	2	2	2	2		
13	50661-MV9-000	RUBBER, STEP	2	2	2	2	2	2		
14	50711-MT3-010	BAR, R. PILLION STEP	1	1	1	1	1	1		
15	50712-MT3-010	BAR, L. PILLION STEP	1	1	1	1	1	1		
16	50718-MT3-000	PLATE, PILLION STEP CLICK	2	2	2	2	2	2		
17	90006-MN5-000	BOLT, FLANGE, 8X20	2	2	2	2	2	2		
18	90115-MT3-000	BOLT, MAIN STEP RUBBER SETTING	4	4	4	4	4	4		
19	90115-MV9-000	BOLT, MAIN STEP RUBBER SETTING	4	4	4	4	4	4		
20	90305-MBB-000	CAP, PIVOT	2	2	2	2	2	2		
21	90524-030-000	WASHER A, HANDLE HOLDER								
		SETTING	2	2	2	2	2	2		
22	92501-08010-0A	BOLT, CAP, 8X10	2	2	2	2	2	2		
23	94101-06000	WASHER, PLAIN, 6MM	2	2	2	2	2	2		
24	94102-08000	WASHER, PLAIN, 8MM	2	2	2	2	2	2		



Ref. No.	Part No.	Description	Reqd. QTY						Serial No.	Parts catalogue code
			XL1000V			XL1000VA				
			7	8	9	7	8	9		

25	94201-16120	PIN, SPLIT, 1.6X12 .....	2	2	2	2	2	2		
26	94201-20150	PIN, SPLIT, 2.0X15 .....	2	2	2	2	2	2		
27	96211-08000	BALL, STEEL, #8 (1/4) .....	2	2	2	2	2	2		





Ref. No.	L.O.N.	(Relative ref. Number) Description	F.R.T.
1	615195	SWITCH, SIDE STAND .....	0.3
2	410180	BAR, SIDE STAND .....	0.2
4	410182	SPRING, SIDE STAND .....	0.1
.NOTE: Same time for two units			

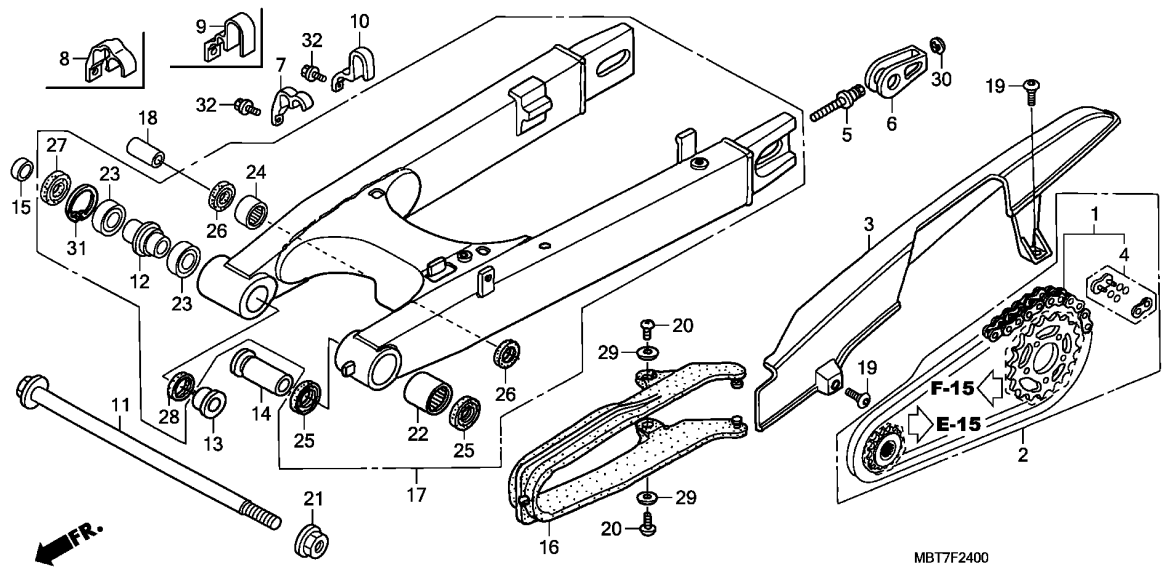
3

Ref. No.	Part No.	Description	Reqd. QTY						Serial No.	Parts catalogue code
			XL1000V			XL1000VA				
			7	8	9	7	8	9		
1	35700-MBB-306	SWITCH SET, SIDE STAND (2P MINI COUPLER)	1	1	-	1	1	-		
	35700-MBB-305	SWITCH SET, SIDE STAND (3P MINI COUPLER)	-	-	1	-	-	1		
2	50530-MBT-D21	BAR COMP., SIDE STAND .....	1	1	1	1	1	1		
3	50537-MBT-D20	SPRING ASSY., SIDE STAND ....	1	1	1	1	1	1		
4	50540-MAW-760	SPRING ASSY., SIDE STAND ....	1	1	1	1	1	1		
5	90108-MK6-670	BOLT, SIDE STAND PIVOT .....	1	1	1	1	1	1		
6	90147-MCE-950	BOLT, SPECIAL, 6X16 .....	1	1	1	1	1	1		
7	90203-MF9-710	NUT, SIDE STAND .....	1	1	1	1	1	1		

# F-24

# SWINGARM

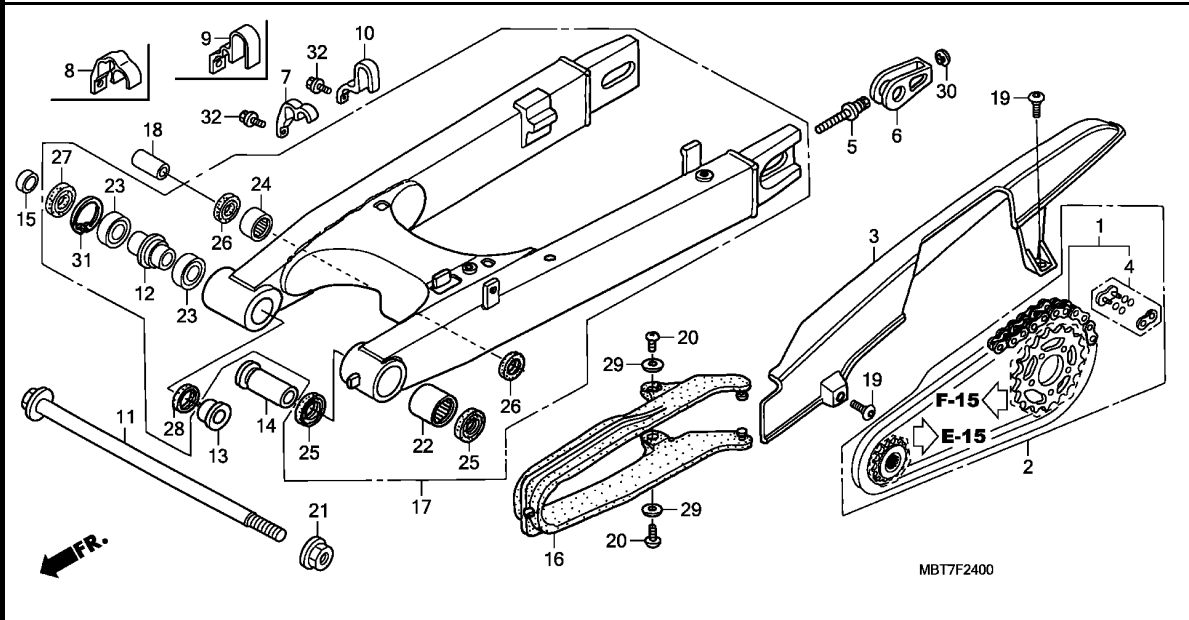
I 1



Ref. No.	L.O.N.	(Relative ref. Number) Description	F.R.T.
1	213165	CHAIN, DRIVE .....	0.5
2	2131G4	CHAIN KIT, DRIVE .....	1.2
3	410195	CASE, DRIVE CHAIN .....	0.1
12	5121H5	COLLAR, SWINGARM .....	0.8
13	5121B2	COLLAR, SWINGARM PIVOT :RIGHT	0.6
	5121G8	COLLAR, SWINGARM PIVOT :BOTH	0.6
14	5121B1	COLLAR, SWINGARM PIVOT :LEFT	0.6
	5121G8	COLLAR, SWINGARM PIVOT :BOTH	0.6
16	4101E5	SLIDER, CHAIN .....	0.7
17	5121B0	SWINGARM ASSEMBLY .....	0.7
18	5121C5	COLLAR, CUSHION ARM .....	0.3
22	5121C8	BEARING, SWINGARM PIVOT :LEFT	1.1
	5121D0	BEARING, SWINGARM PIVOT :BOTH	1.1
23	5121C9	BEARING, SWINGARM PIVOT :RIGHT	0.9
		.NOTE: Same time for two units	
	5121D0	BEARING, SWINGARM PIVOT :BOTH	1.1
24	5121C7	BEARING, SWINGARM .....	0.9

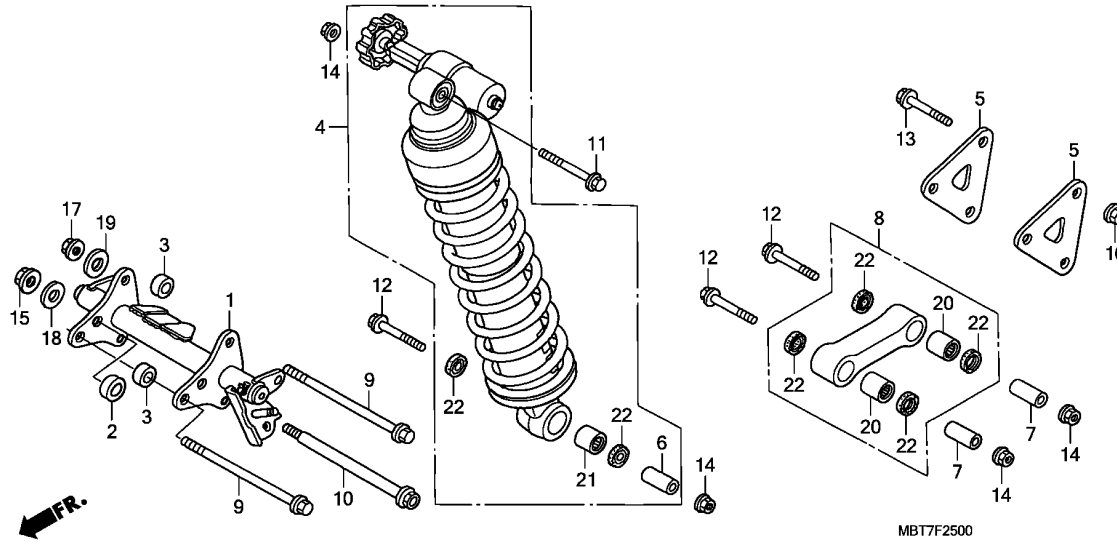
Ref. No.	Part No.	Description	Reqd. QTY						Serial No.	Parts catalogue code
			XL1000V			XL1000VA				
			7	8	9	7	8	9		
1	06405-MAL-P00	CHAIN SET, DRIVE (DAIDO) (DID525HV-112L-120L)								
		(STANDARD LINK 112L)	1	1	1	1	1	1		
	06405-MAL-P10	CHAIN SET, DRIVE (RK EXCEL) (RK525R0Z1-112L-120L)								
		(STANDARD LINK 112L)	1	1	1	1	1	1		
2	06406-MBT-610	CHAIN KIT, DRIVE (525-120L)	1	1	1	1	1	1		
3	40510-MBT-D10	CASE, DRIVE CHAIN .....	1	1	1	1	1	1		
4	40535-MAL-G01	JOINT SET, DRIVE CHAIN (DAIDO)	1	1	1	1	1	1		
	40535-MAL-G02	JOINT SET, DRIVE CHAIN (RK EXCEL)	1	1	1	1	1	1		
5	40542-MBT-D50	BOLT, CHAIN ADJUSTING .....	2	2	2	2	2	2		
6	40543-MBT-D20	ADJUSTER, CHAIN .....	2	2	2	2	2	2		
7	43156-MAT-000	GUIDE, RR. BRAKE HOSE .....	1	1	1	-	-	-		
8	43156-MBT-D50	GUIDE A, RR. BRAKE HOSE .....	-	-	-	1	1	1		
9	43159-MBT-D50	GUIDE B, RR. BRAKE HOSE .....	-	-	-	1	1	1		
10	43159-MBT-610	GUIDE, RR. BRAKE HOSE .....	1	1	1	-	-	-		
11	52101-MBT-610	BOLT, SWINGARM PIVOT .....	1	1	1	1	1	1		
12	52141-MBT-D20	COLLAR, CENTER PIVOT DISTANCE	1	1	1	1	1	1		
13	52142-MBT-D20	COLLAR, R. SIDE PIVOT .....	1	1	1	1	1	1		
14	52143-MBT-D20	COLLAR, L. SIDE PIVOT .....	1	1	1	1	1	1		
15	52144-MBT-D20	COLLAR, R. PIVOT DISTANCE ...	1	1	1	1	1	1		
16	52170-MBT-D10	SLIDER, CHAIN .....	1	1	1	1	1	1		
17	52200-MBT-D20	SWINGARM SUB ASSY., RR. ....	1	1	1	1	1	1		
18	52463-MBT-D20	COLLAR, CUSHION ARM .....	1	1	1	1	1	1		
19	90112-MT3-000	SCREW, PAN, 6X20 .....	2	2	2	2	2	2		

3



3

Ref. No.	Part No.	Description	Reqd. QTY						Serial No.	Parts catalogue code
			XL1000V			XL1000VA				
			7	8	9	7	8	9		
20	90115-KV3-700	SCREW, PAN, 5X8	2	2	2	2	2	2		
21	90305-MB4-003	NUT, U, 18MM	1	1	1	1	1	1		
22	91071-MR7-003	BEARING, NEEDLE	1	1	1	1	1	1		
23	91072-MR7-003	BEARING, RADIAL BALL, 20X37X9	2	2	2	2	2	2		
24	91072-MY1-005	BEARING, NEEDLE, 20X26X20	1	1	1	1	1	1		
25	91202-MR7-003	DUST SEAL, 28X37X4	2	2	2	2	2	2		
26	91254-KS6-003	DUST SEAL, 20X26X4.5 (ARAI)	2	2	2	2	2	2		
27	91257-KY4-900	DUST SEAL, 27X37X5	1	1	1	1	1	1		
28	91261-KZ3-861	DUST SEAL, 27X34X4	1	1	1	1	1	1		
29	94103-05700	WASHER, PLAIN, 5MM	2	2	2	2	2	2		
30	94511-10000	CIRCLIP, EXTERNAL, 10MM	2	2	2	2	2	2		
31	94520-37000	CIRCLIP, INTERNAL, 37MM	1	1	1	1	1	1		
32	96001-06016-00	BOLT, FLANGE, 6X16	2	2	2	2	2	2		



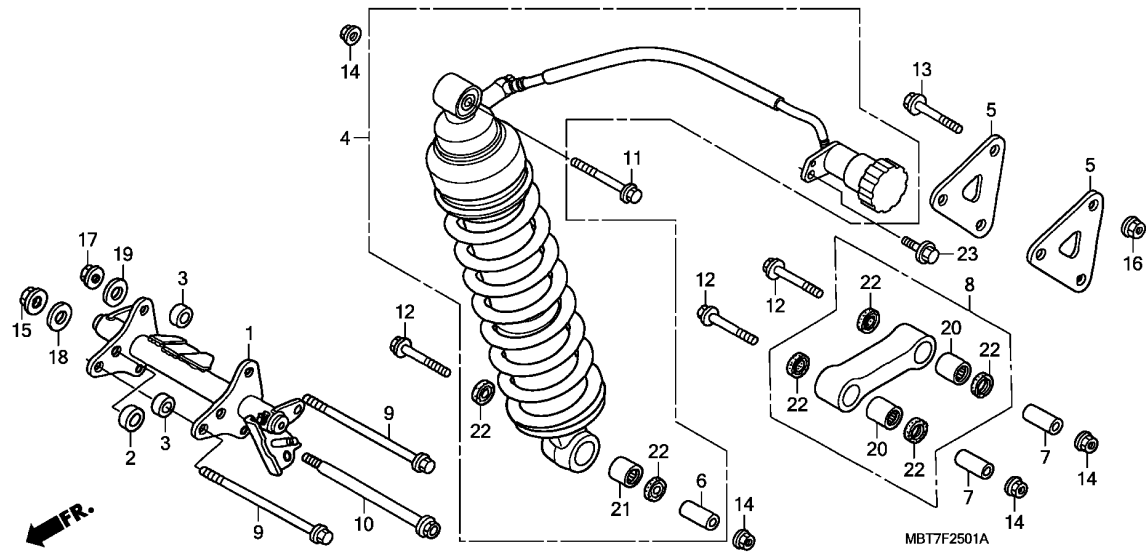
Ref. No.	L.O.N.	(Relative ref. Number) Description	F.R.T.
1	5121A8	BRACKET, REAR CUSHION .....	0.7
4	512115	CUSHION ASSY., REAR .....	0.7
5	5121C4	PLATE, REAR CUSHION LINK .....	0.3
7	5121C6	COLLAR, CUSHION CONNECTING ROD .NOTE: Same time for two units	0.4
8	512145	ROD, CUSHION CONNECTING .....	0.4
20	5121D4	BEARING, CUSHION CONNECTING ROD .....	0.6
	5121D4A	.Replace 1 bearing add .....	0.1
21	5121D1	BEARING, REAR CUSHION .....	0.9

Ref. No.	Part No.	Description	Reqd. QTY			Serial No.	Parts catalogue code
			XL1000V 7 8 9	XL1000VA 7 8 9			
1	50300-MBT-D50	BRACKET COMP., CUSHION .....	1	1	1	-	-
2	50320-MBT-610	COLLAR A, ENGINE MOUNTING ...	1	1	1	-	-
3	50321-MBT-610	COLLAR B, ENGINE MOUNTING ...	2	2	2	-	-
4	52400-MBT-C41	CUSHION ASSY., RR. ....	1	1	1	-	-
5	52461-MBT-D20	ARM, CUSHION .....	2	2	2	-	-
6	52463-MAL-G00	COLLAR, CUSHION CONNECTING ROD	1	1	1	-	-
7	52464-MBT-D20	COLLAR, CONNECTING ROD .....	2	2	2	-	-
8	52475-MBT-D20	ROD SUB ASSY., CUSHION CONNECTING	1	1	1	-	-
9	90112-MBT-D50	BOLT, RR. ENGINE HANGER, 12X188	2	2	2	-	-
10	90114-MBT-610	BOLT, RR. ENGINE HANGER, 15X190	1	1	1	-	-
11	90116-KE8-003	BOLT, FLANGE, 10X55 .....	1	1	1	-	-
12	90128-GC4-003	BOLT, FLANGE, 10X67 .....	3	3	3	-	-
13	90128-KW3-000	BOLT, FLANGE, 12X72 .....	1	1	1	-	-
14	90304-GE8-003	NUT, U, 10MM .....	4	4	4	-	-
15	90305-MBT-610	NUT, U, 14MM .....	1	1	1	-	-
16	90306-KF0-003	NUT, FLANGE, 12MM .....	1	1	1	-	-
17	90306-181-761	NUT, FLANGE, 12MM .....	2	2	2	-	-
18	90451-MBT-610	WASHER, ENGINE MOUNTING .....	1	1	1	-	-
19	90501-KZ4-J40	WASHER, PLAIN, 12MM .....	2	2	2	-	-
20	91071-KV3-005	BEARING, NEEDLE (KOYO) .....	2	2	2	-	-
21	91072-KT7-003	BEARING, NEEDLE, 17X24X20 (NTN)	1	1	1	-	-
22	91262-KV3-831	DUST SEAL, 17X24X5 (ARAI) ....	6	6	6	-	-

# F-25-1

# REAR CUSHION (XL1000VA)

14



Ref. No.	L.O.N.	(Relative ref. Number) Description	F.R.T.
1	5121A8	BRACKET, REAR CUSHION .....	0.7
4	512115	CUSHION ASSY., REAR .....	1.1
5	5121C4	PLATE, REAR CUSHION LINK .....	0.3
		.NOTE: Same time for two units	
7	5121C6	COLLAR, CUSHION CONNECTING ROD .....	0.4
		.NOTE: Same time for two units	
8	512145	ROD, CUSHION CONNECTING .....	0.4
20	5121D4	BEARING, CUSHION CONNECTING ROD .....	0.6
		.Replace 1 bearing add .....	0.1
21	5121D1	BEARING, REAR CUSHION .....	1.3

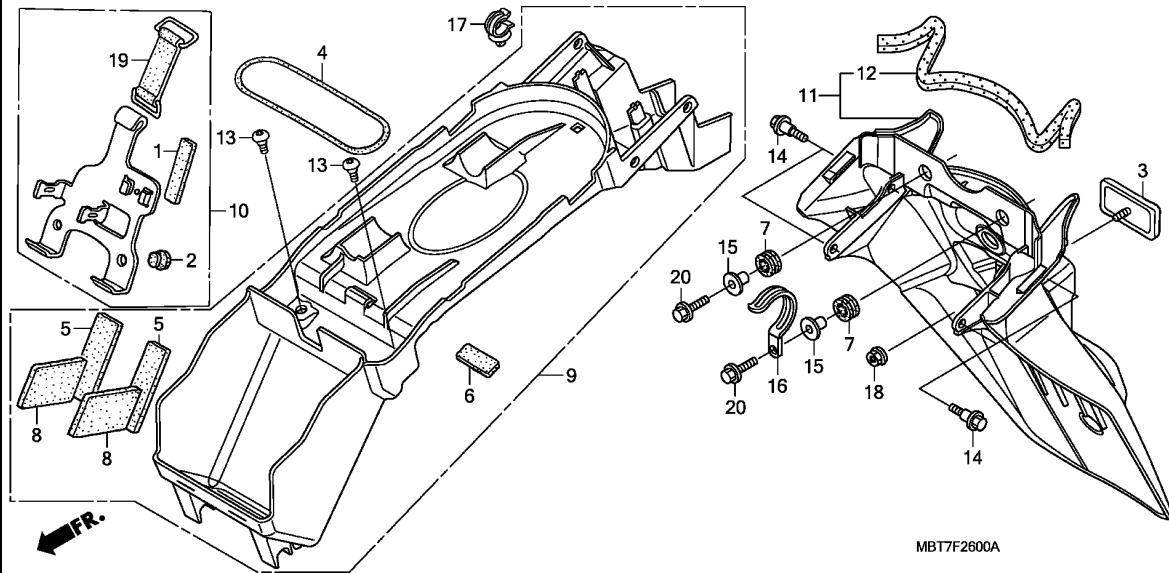
3

Ref. No.	Part No.	Description	Reqd. QTY						Serial No.	Parts catalogue code
			XL1000V			XL1000VA				
			7	8	9	7	8	9		
1	50300-MBT-D50	BRACKET COMP., CUSHION .....	-	-	-	1	1	1		
2	50320-MBT-610	COLLAR A, ENGINE MOUNTING .....	-	-	-	1	1	1		
3	50321-MBT-610	COLLAR B, ENGINE MOUNTING .....	-	-	-	2	2	2		
4	52400-MBT-C51	CUSHION ASSY., RR. ....	-	-	-	1	1	1		
5	52461-MBT-D20	ARM, CUSHION .....	-	-	-	2	2	2		
6	52463-MAL-G00	COLLAR, CUSHION CONNECTING ROD .....	-	-	-	1	1	1		
7	52464-MBT-D20	COLLAR, CONNECTING ROD .....	-	-	-	2	2	2		
8	52475-MBT-D20	ROD SUB ASSY., CUSHION CONNECTING .....	-	-	-	1	1	1		
9	90112-MBT-D50	BOLT, RR. ENGINE HANGER, 12X188 .....	-	-	-	2	2	2		
10	90114-MBT-610	BOLT, RR. ENGINE HANGER, 15X190 .....	-	-	-	1	1	1		
11	90116-KE8-003	BOLT, FLANGE, 10X55 .....	-	-	-	1	1	1		
12	90128-GC4-003	BOLT, FLANGE, 10X67 .....	-	-	-	3	3	3		
13	90128-KW3-000	BOLT, FLANGE, 12X72 .....	-	-	-	1	1	1		
14	90304-GE8-003	NUT, U, 10MM .....	-	-	-	4	4	4		
15	90305-MBT-610	NUT, U, 14MM .....	-	-	-	1	1	1		
16	90306-KF0-003	NUT, FLANGE, 12MM .....	-	-	-	1	1	1		
17	90306-181-761	NUT, FLANGE, 12MM .....	-	-	-	2	2	2		
18	90451-MBT-610	WASHER, ENGINE MOUNTING .....	-	-	-	1	1	1		
19	90501-KZ4-J40	WASHER, PLAIN, 12MM .....	-	-	-	2	2	2		
20	91071-KV3-005	BEARING, NEEDLE (KOYO) .....	-	-	-	2	2	2		
21	91072-KT7-003	BEARING, NEEDLE, 17X24X20 (NTN) .....	-	-	-	1	1	1		
22	91262-KV3-831	DUST SEAL, 17X24X5 (ARAI) .....	-	-	-	6	6	6		
23	95801-08020-08	BOLT, FLANGE, 8X20 .....	-	-	-	1	1	1		

# F-26

# REAR FENDER

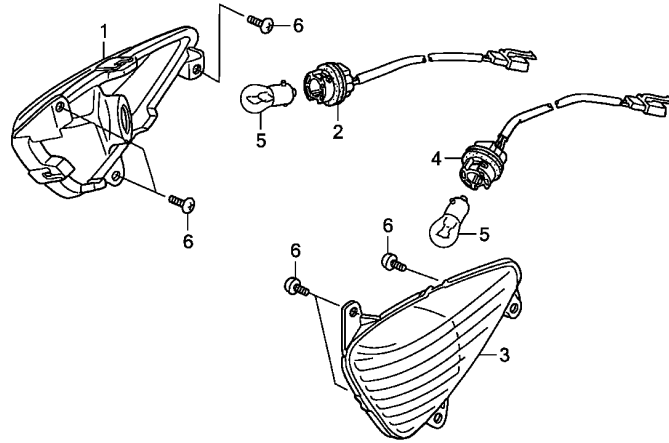
15



Ref. No.	L.O.N.	(Relative ref. Number) Description	F.R.T.
9	413110	FENDER B, REAR .....	0.7
11	4131K7	BRACKET, NUMBER PLATE .....	0.6

Ref. No.	Part No.	Description	Reqd. QTY						Serial No.	Parts catalogue code
			XL1000V			XL1000VA				
			7	8	9	7	8	9		
1	17511-HB7-300	RUBBER, TANK SPACER .....	1	1	1	1	1	1		
2	18366-GW8-670	GROMMET A, MUFFLER PROTECTOR .....	2	2	2	2	2	2		
3	33741-MS6-921	REFLECTOR, REFLEX (STANLEY) .....	1	1	1	1	1	1		
4	50290-MZ7-000	BAND, U-LOCK .....	1	1	1	1	1	1		
5	50383-HC4-750	RUBBER, BATTERY RR. ....	2	2	2	2	2	2		
6	50384-045-670	CUSHION A, BATTERY .....	1	1	1	1	1	1		
7	64122-KV0-000	RUBBER B, SIDE SHELTER .....	2	2	2	2	2	2		
8	64304-GG2-730	RUBBER, HEAD PIPE COVER SPONGE .....	2	2	2	2	2	2		
9	80101-MBT-C40	FENDER B, RR. ....	1	1	1	1	1	1		
10	80102-MBT-D20	HOLDER, BATTERY .....	1	1	1	1	1	1		
11	84701-MBT-C40	BRACKET, NUMBER PLATE .....	1	1	1	1	1	1		
12	84707-MBT-C40	MAT, NUMBER BRACKET .....	1	-	-	1	-	-		
13	90106-KY2-701	SCREW, PAN, 6X11 .....	2	2	2	2	2	2		
14	90113-GA7-000	BOLT, FLANGE, 6X22 .....	4	4	4	4	4	4		
15	90501-425-000	COLLAR, 6.2X12 .....	2	2	2	2	2	2		
16	91406-166-000	CLIP, WIRE .....	1	1	1	1	1	1		
17	91504-MBT-610	HOLDER, ROD .....	1	1	1	1	1	1		
18	94050-05080	NUT, FLANGE, 5MM .....	1	1	1	1	1	1		
19	95012-12001	BAND B1, BATTERY .....	1	1	1	1	1	1		
20	95701-06025-00	BOLT, FLANGE, 6X25 .....	2	2	2	2	2	2		

3



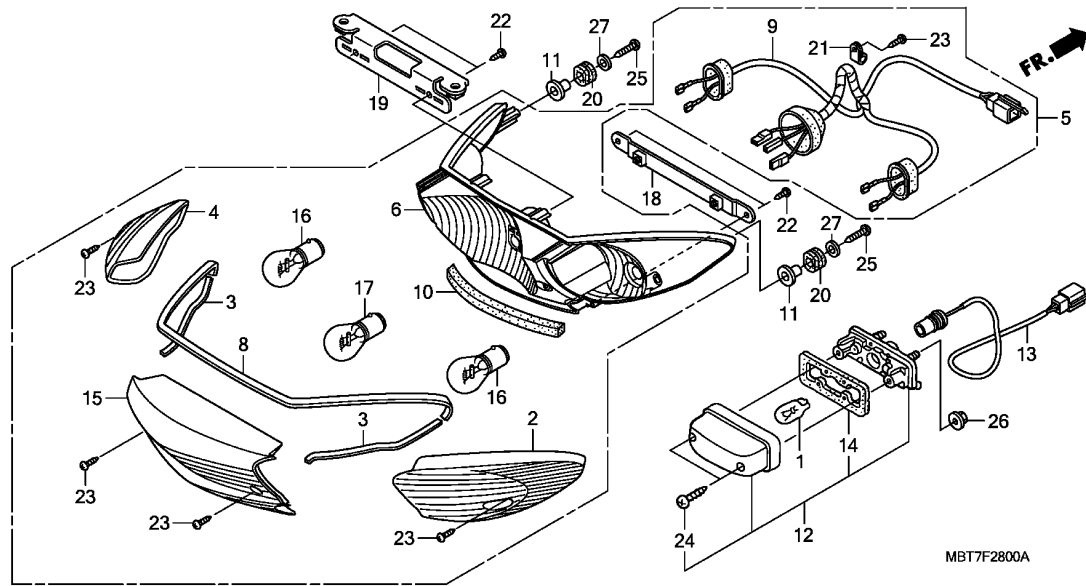
FR.

MBT7F2700

Ref. No.	L.O.N.	(Relative ref. Number) Description	F.R.T.
1	6161D0	BASE, WINKER :RIGHT FRONT ....	0.1
	6161D1	BASE, WINKER :BOTH FRONT .....	0.2
2	6161B6	SOCKET, WINKER :RIGHT FRONT ..	0.1
	6161B7	SOCKET, WINKER :BOTH FRONT ....	0.3
3	6161C9	BASE, WINKER :LEFT FRONT .....	0.1
	6161D1	BASE, WINKER :BOTH FRONT .....	0.2
4	6161B5	SOCKET, WINKER :LEFT FRONT ...	0.2
	6161B7	SOCKET, WINKER :BOTH FRONT ...	0.3
5	616133	BULB, WINKER :FRONT .....	0.1
		.NOTE: Same time for two units	
	6161G0	BULB, WINKER :FOR 1 VEHICLE ..	0.2

3

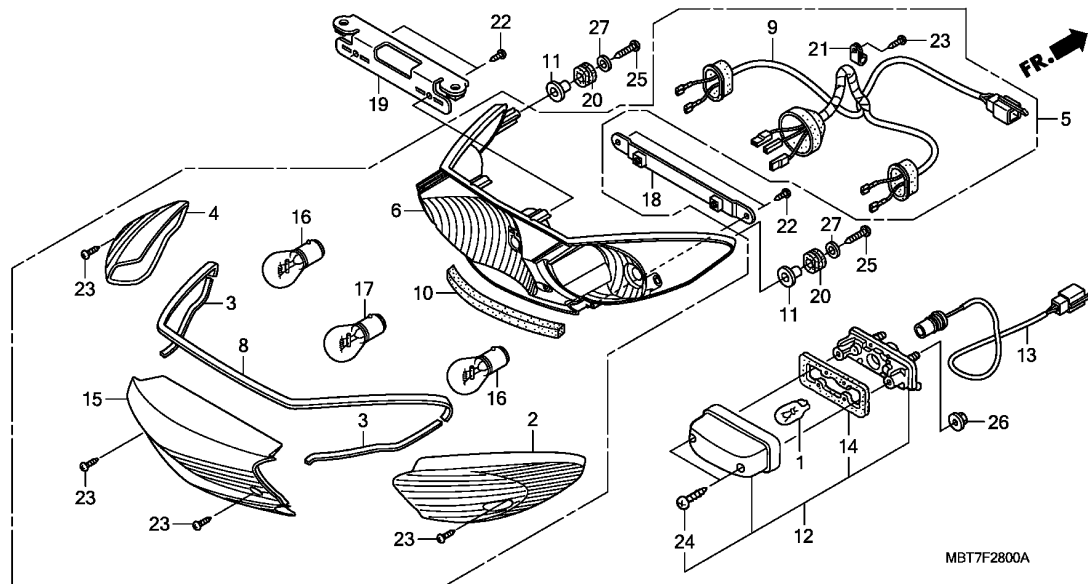
Ref. No.	Part No.	Description	Reqd. QTY						Serial No.	Parts catalogue code
			XL1000V			XL1000VA				
			7	8	9	7	8	9		
1	33403-MBT-C40	BASE COMP., R. WINKER .....	1	1	1	1	1	1		
2	33404-MER-R00	CORD COMP., R. ....	1	1	1	1	1	1		
3	33453-MBT-C40	BASE COMP., L. WINKER .....	1	1	1	1	1	1		
4	33454-MER-R00	CORD COMP., L. ....	1	1	1	1	1	1		
5	34908-KFG-E20	BULB (12V 21W) .....	2	2	2	2	2	2		
6	93500-05008-0A	SCREW, PAN, 5X8 .....	6	6	6	6	6	6		



Ref. No.	L.O.N.	(Relative ref. Number) Description	F.R.T.
1	6161F3	BULB, LICENSE LIGHT .....	0.1
5	6161H2	TAILLIGHT ASSEMBLY .....	0.4
6	6161E2	BASE, TAILLIGHT .....	0.5
9	6161E7	SOCKET, TAILLIGHT .....	0.5
16	616139	BULB, WINKER :REAR .....	0.1
		.NOTE: Same time for two units	
17	6161G0	BULB, WINKER :FOR 1 VEHICLE ..	0.2
		(8,15)	
	6161G1	BULB, TAILLIGHT .....	0.1

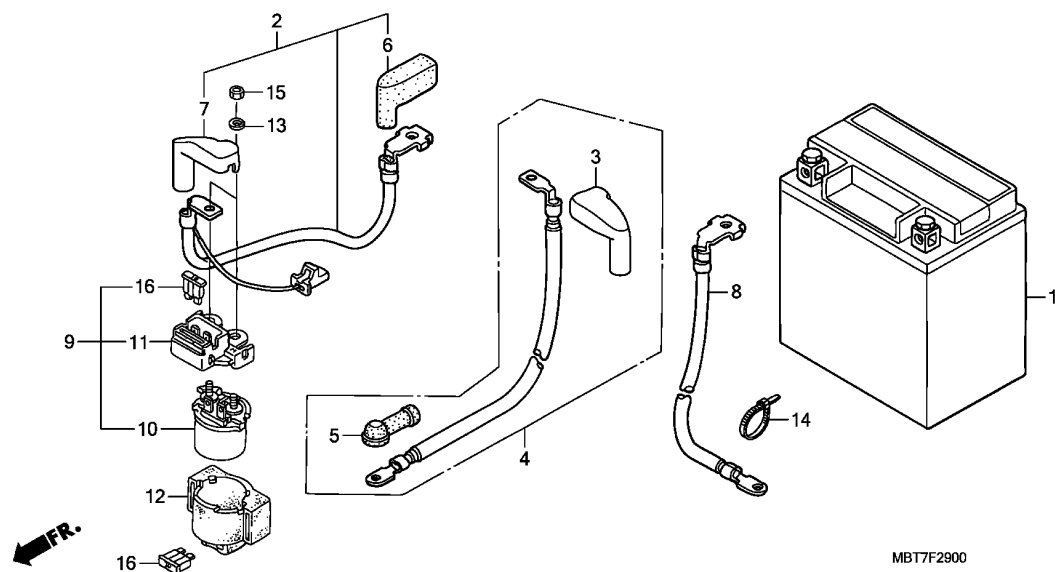
Ref. No.	Part No.	Description	Reqd. QTY						Serial No.	Parts catalogue code
			XL1000V			XL1000VA				
			7	8	9	7	8	9		
1	33301-SA0-741	BULB (12V 5W) (STANLEY) .....	1	1	1	1	1	1		
2	33602-MFA-D00	LENS, R. RR. WINKER .....	1	1	1	1	1	1		
3	33620-MER-D00	SPONGE ASSY. ....	2	2	2	2	2	2		
4	33652-MFA-D00	LENS, L. RR. WINKER .....	1	1	1	1	1	1		
5	33700-MBT-C40	LIGHT ASSY., RR. COMBINATION	1	1	1	1	1	1		
6	33701-MBT-C40	BASE COMP., RR. COMBINATION	1	1	1	1	1	1		
8	33707-KPR-900	PACKING, LENS .....	1	1	1	1	1	1		
9	33708-MBT-C40	CORD COMP., RR. COMBINATION	1	1	1	1	1	1		
10	33709-MBT-C40	MAT, RR. COMBINATION LIGHT	1	1	1	1	1	1		
11	33719-437-970	COLLAR, TAILLIGHT PACKING ...	2	2	2	2	2	2		
12	33721-KSV-J01	LENS COMP., LICENSE .....	1	1	1	1	1	1		
13	33722-MBT-C41	SOCKET COMP. ....	1	1	1	1	1	1		
14	33729-MCZ-003	PACKING, LENS .....	1	1	1	1	1	1		
15	33730-MBT-C40	LENS COMP., TAILLIGHT .....	1	1	1	1	1	1		
16	34905-MEJ-671	BULB, WINKER (12V 21W) .....	2	2	2	2	2	2		
17	34906-447-711	BULB, TAILLIGHT (12V 21/5W) (STANLEY)	1	1	1	1	1	1		
18	80145-MER-D00	STAY, TAILLIGHT .....	1	1	1	1	1	1		
19	80146-MBT-C40	STAY, TAILLIGHT .....	1	1	1	1	1	1		
20	84905-333-000	RUBBER, CUSHION .....	2	2	2	2	2	2		
21	90602-KGF-900	CLIP .....	1	1	1	1	1	1		
22	93901-24280	SCREW, TAPPING, 4X10 .....	4	4	4	4	4	4		
23	93901-24380	SCREW, TAPPING, 4X12 .....	5	5	5	5	5	5		
24	93901-24480	SCREW, TAPPING, 4X16 .....	2	2	2	2	2	2		





3

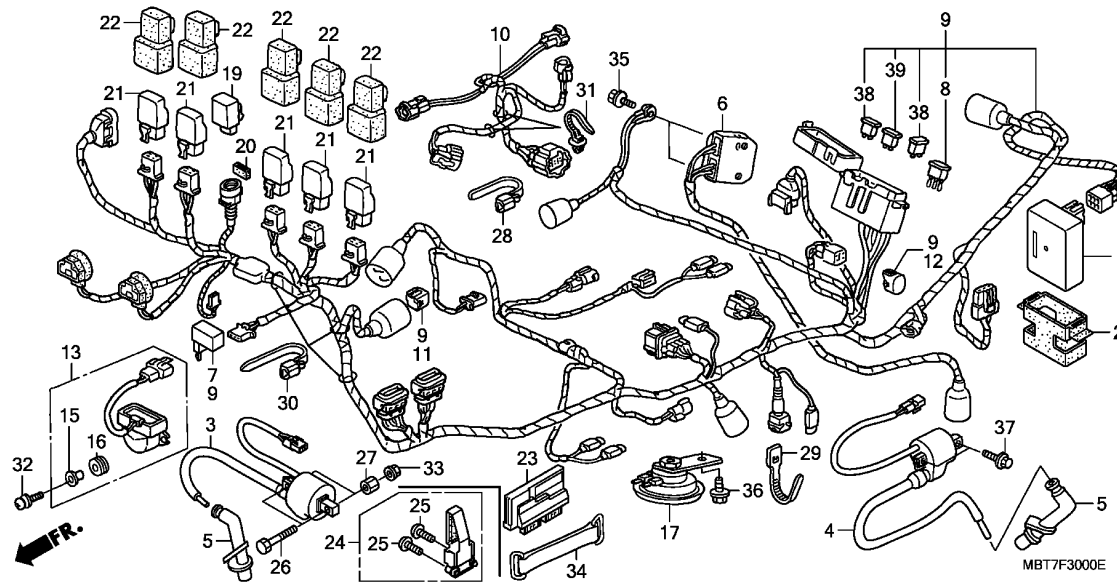
Ref. No.	Part No.	Description	Reqd. QTY						Serial No.	Parts catalogue code
			XL1000V			XL1000VA				
			7	8	9	7	8	9		
25	93903-25620	SCREW, TAPPING, 5X30 .....	2	2	2	2	2	2		
26	94050-05000	NUT, FLANGE, 5MM .....	2	2	2	2	2	2		
27	94103-05000	WASHER, PLAIN, 5MM .....	2	2	2	2	2	2		



Ref. No.	L.O.N.	(Relative ref. Number) Description	F.R.T.
1	610100	BATTERY .....	0.2
2	610105	CABLE, POSITIVE BATTERY .....	0.2
4	612115	CABLE, STARTER MOTOR .....	0.4
8	610110	CABLE, NEGATIVE BATTERY .....	0.3
9	615113	(10) SWITCH, STARTER MAGNETIC .....	0.3

Ref. No.	Part No.	Description	Reqd. QTY						Serial No.	Parts catalogue code
			XL1000V			XL1000VA				
			7	8	9	7	8	9		
1	31500-MBT-D22	BATTERY (YTX20A-BS)(YUASA) ..	1	1	1	1	1	1		
2	32401-MBT-D20	CABLE, STARTER BATTERY .....	1	1	1	1	1	1		
3	32404-MK5-000	COVER B, STARTER MAGNETIC ...	1	1	1	1	1	1		
4	32410-MBT-D20	CABLE, STARTER MOTOR .....	1	1	1	1	1	1		
5	32411-253-000	COVER, STARTER MOTOR TERMINAL	1	1	1	1	1	1		
6	32414-MW0-000	COVER, BATTERY TERMINAL .....	1	1	1	1	1	1		
7	32416-MF5-000	COVER B, MAGNETIC SWITCH ....	1	1	1	1	1	1		
8	32601-MBT-D20	CABLE, BATTERY EARTH .....	1	1	1	1	1	1		
9	35850-MK3-671	SWITCH ASSY., STARTER MAGNETIC	1	1	1	1	1	1		
10	35851-MF5-751	SWITCH COMP., STARTER MAGNETIC	1	1	1	1	1	1		
11	35855-MG7-751	HOLDER ASSY., FUSE .....	1	1	1	1	1	1		
12	35856-MF5-751	RUBBER, SHOCK .....	1	1	1	1	1	1		
13	90052-ZA0-800	WASHER, SPRING, 6MM .....	2	2	2	2	2	2		
14	90620-SB2-003	BAND, WIRE HARNESS .....	1	1	1	-	-	-		
15	94002-06390-0S	NUT, HEX., 6MM .....	2	2	2	2	2	2		
16	98200-33000	FUSE, BLADE (30A) .....	2	2	2	2	2	2		

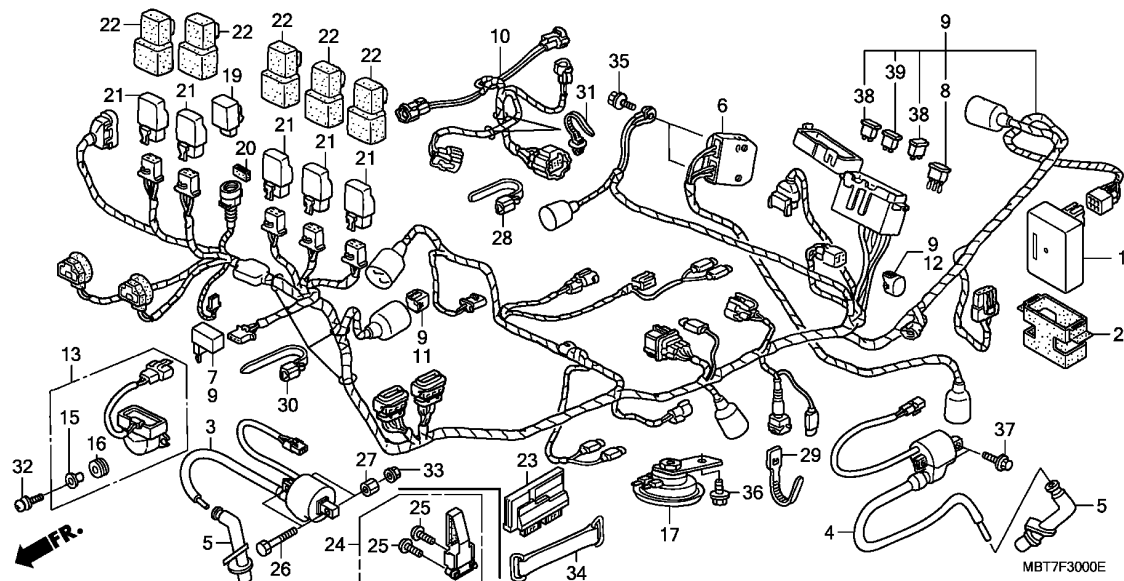




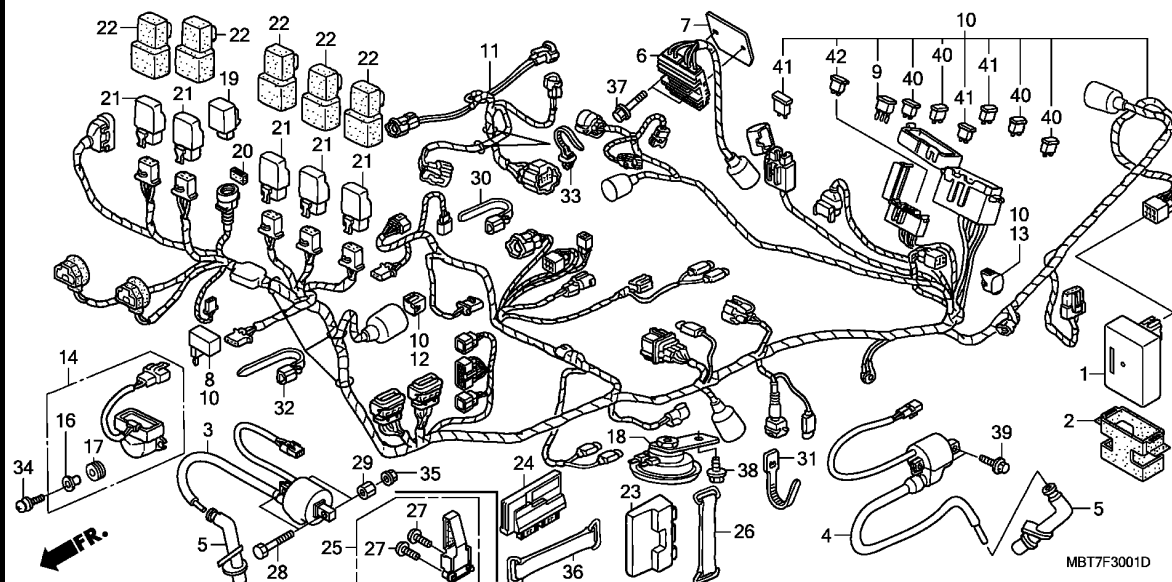
Ref. No.	L.O.N.	(Relative ref. Number) Description	F.R.T.
1	6141B4	CONVERTER UNIT, C.D.I. ....	0.3
3	6141A3	COIL, IGNITION :FRONT .....	1.1
	6141A5	COIL, IGNITION :FOR 1 VEHICLE	1.3
4	6141A4	COIL, IGNITION :REAR .....	0.4
	6141A5	COIL, IGNITION :FOR 1 VEHICLE	1.3
6	6131B2	RECTIFIER, REGULATE .....	0.5
8	6131B4	DIODE, THREE WAY .....	0.2
9	611100	HARNESS, WIRE .....	2.4
10	6111E6	SUB HARNESS, THROTTLE BODY ...	0.9
13	617125	SENSOR, BANK ANGLE .....	0.7
17	616169	HORN(S) .....	0.1
19	6111C3	RELAY, WINKER .....	0.7
21	6111B6	RELAY, ENGINE STOP .....	0.7
	6111D9	RELAY, FAN CONTROL .....	0.7
	6111E0	RELAY, FUEL CUT-OFF .....	0.7
	6111E4	RELAY, HEADLIGHT :HI BEAM ...	0.7
	6111E5	RELAY, HEADLIGHT :LOW BEAM ...	0.7
23	618135	ENGINE CONTROL MODULE(ECM) ...	0.3

3

Ref. No.	Part No.	Description	Reqd. QTY						Serial No.	Parts catalogue code
			XL1000V			XL1000VA				
			7	8	9	7	8	9		
1	30450-MBT-C41	CONVERTER UNIT, C.D.I. ....	1	1	1	-	-	-		
2	30455-MBT-C40	SUSPENSION, C.D.I. CONVERTER	1	1	1	-	-	-		
3	30510-MBT-C41	COIL COMP., FR. IGNITION ....	1	1	1	-	-	-		
4	30520-MBT-C41	COIL COMP., RR. IGNITION ....	1	1	1	-	-	-		
5	30700-MBB-640	CAP ASSY., NOISE SUPPRESSOR	2	2	2	-	-	-		
6	31600-MBT-D21	RECTIFIER ASSY., REGULATE ...	1	1	1	-	-	-		
7	31710-MBT-C41	DIODE COMP. ....	1	1	1	-	-	-		
8	31730-MAS-601	DIODE ASSY., THREE WAY (SUMITOMO)	1	1	1	-	-	-		
9	32100-MBT-C40	HARNESS, WIRE .....	1	1	1	-	-	-		
10	32101-MBT-C40	SUB HARNESS .....	1	1	1	-	-	-		
11	32605-GEV-761	CAP, DUMMY (WPC 4P 090 M) (NATURAL)	1	1	1	-	-	-		
12	32606-GEV-761	CAP, DUMMY (4P)(RED) .....	1	1	1	-	-	-		
13	35160-MBW-D21	SENSOR ASSY., BANK ANGLE ....	1	1	1	-	-	-		
15	35162-MN5-003	COLLAR .....	2	2	2	-	-	-		
16	35163-MN5-003	GROMMET .....	2	2	2	-	-	-		
17	38120-MBT-D11	HORN COMP. (LOW) .....	1	1	1	-	-	-		
19	38301-MEW-921	RELAY COMP., WINKER (MITSUBA)	1	1	1	-	-	-		
20	38306-KK4-000	SUSPENSION, WINKER RELAY (MITSUBA)	1	1	1	-	-	-		
21	38501-GN2-014	RELAY COMP., STARTER (MITSUBA)	5	5	5	-	-	-		
22	38506-GC7-611	SUSPENSION, STARTER RELAY (MITSUBA)	5	5	5	-	-	-		
23	38770-MBT-C42	PGM-FI UNIT .....	1	1	1	-	-	-		



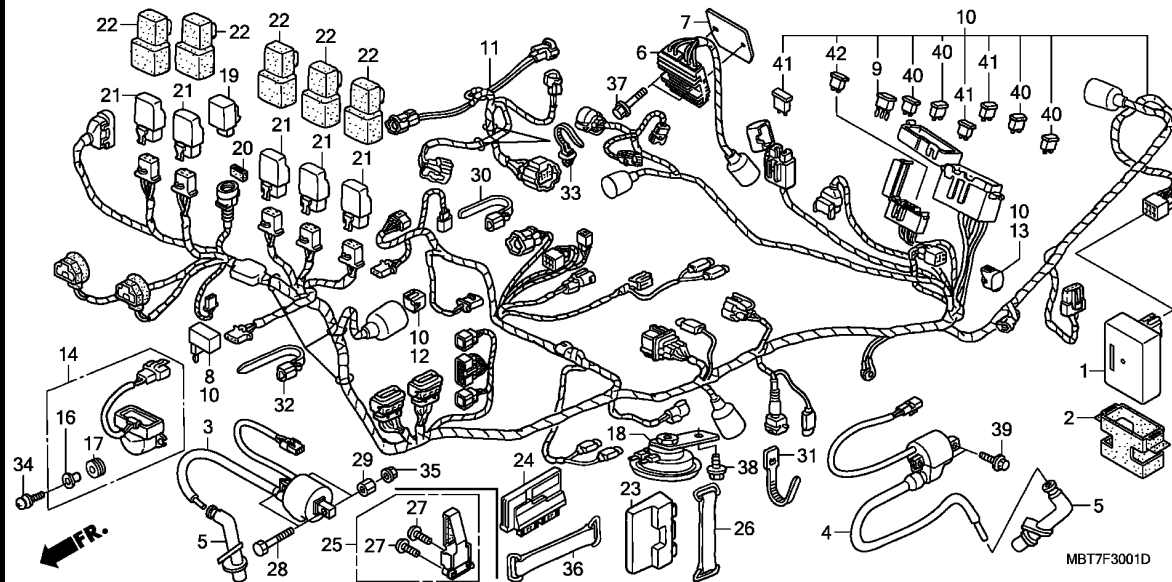
Ref. No.	Part No.	Description	Reqd. QTY						Serial No.	Parts catalogue code
			XL1000V			XL1000VA				
			7	8	9	7	8	9		
24	38775-MBT-K40	BRACKET SET, PGM-FI UNIT COVER	1	1	1	-	-	-	-----	E,F
25	90107-MBT-K40	BOLT, ONE-WAY, 6X18	2	2	2	-	-	-	-----	E,F
26	90117-MBT-D21	BOLT, HEX., 6X40	2	2	2	-	-	-		
27	90282-MAT-000	NUT, 6X19	2	2	2	-	-	-		
28	90650-KW3-000	BAND, WIRE	1	1	1	-	-	-		
29	90650-MBT-611	BAND, WIRE	1	1	1	-	-	-		
30	90652-KT1-771	BAND, WIRE (BLACK)	3	3	3	-	-	-		
31	91540-S0A-003	CLIP, HARNESS BAND (NATURAL) (96.9MM)	2	2	2	-	-	-		
32	93891-04020-08	SCREW-WASHER, 4X20	2	2	2	-	-	-		
33	94050-06080	NUT, FLANGE, 6MM	2	2	2	-	-	-		
34	95012-15001	BAND, BATTERY	1	1	1	-	-	-		
35	95701-06028-00	BOLT, FLANGE, 6X28	2	2	2	-	-	-		
36	95701-08012-07	BOLT, FLANGE, 8X12	1	1	1	-	-	-		
37	95801-06020-00	BOLT, FLANGE, 6X20	2	2	2	-	-	-		
38	98200-41000	FUSE, MINI (10A)	4	4	4	-	-	-		
39	98200-42000	FUSE, MINI (20A)	4	4	4	-	-	-		



Ref. No.	L.O.N.	(Relative ref. Number) Description	F.R.T.
1	6141B4	CONVERTER UNIT, C.D.I. ....	0.3
3	6141A3	COIL, IGNITION :FRONT .....	1.1
	6141A5	COIL, IGNITION :FOR 1 VEHICLE	1.3
4	6141A4	COIL, IGNITION :REAR .....	0.4
	6141A5	COIL, IGNITION :FOR 1 VEHICLE	1.3
6	6131B2	RECTIFIER, REGULATE .....	0.5
9	6131B4	DIODE, THREE WAY .....	0.2
10	611100	HARNESS, WIRE .....	2.4
11	6111E6	SUB HARNESS, THROTTLE BODY ...	0.9
14	617125	SENSOR, BANK ANGLE .....	0.7
18	616169	HORN(S) .....	0.1
19	6111C3	RELAY, WINKER .....	0.7
21	6111B6	RELAY, ENGINE STOP .....	0.7
	6111D9	RELAY, FAN CONTROL .....	0.7
	6111E0	RELAY, FUEL CUT-OFF .....	0.7
	6111E4	RELAY, HEADLIGHT :HI BEAM ...	0.7
	6111E5	RELAY, HEADLIGHT :LOW BEAM ...	0.7
23	618196	CONTROL UNIT, ABS .....	0.4
24	618135	ENGINE CONTROL MODULE(ECM) ...	0.5

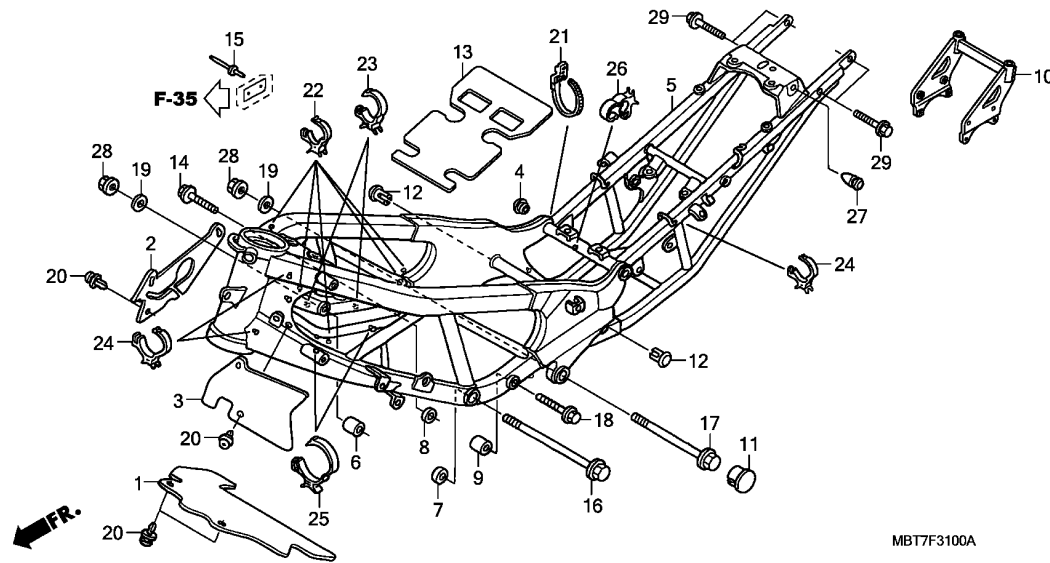
Ref. No.	Part No.	Description	Reqd. QTY			Serial No.	Parts catalogue code
			XL1000V 7 8 9	XL1000VA 7 8 9			
1	30450-MBT-C41	CONVERTER UNIT, C.D.I. ....	-	-	1	1	1
2	30455-MBT-C40	SUSPENSION, C.D.I. CONVERTER	-	-	1	1	1
3	30510-MBT-C41	COIL COMP., FR. IGNITION ....	-	-	1	1	1
4	30520-MBT-C41	COIL COMP., RR. IGNITION ....	-	-	1	1	1
5	30700-MBB-640	CAP ASSY., NOISE SUPPRESSOR	-	-	2	2	2
6	31600-MBT-D51	RECTIFIER ASSY., REGULATE ...	-	-	1	1	1
7	31601-MBT-D50	COVER, REGULATOR RECTIFIER ...	-	-	1	1	1
8	31710-MBT-C41	DIODE COMP. ....	-	-	1	1	1
9	31730-MAS-601	DIODE ASSY., THREE WAY (SUMITOMO)	-	-	1	1	1
10	32100-MBT-C50	HARNESS, WIRE .....	-	-	1	1	1
11	32101-MBT-C40	SUB HARNESS .....	-	-	1	1	1
12	32605-GEV-761	CAP, DUMMY (WPC 4P 090 M) (NATURAL)	-	-	1	1	1
13	32606-GEV-761	CAP, DUMMY (4P)(RED) .....	-	-	1	1	1
14	35160-MBW-D21	SENSOR ASSY., BANK ANGLE ....	-	-	1	1	1
16	35162-MN5-003	COLLAR .....	-	-	2	2	2
17	35163-MN5-003	GROMMET .....	-	-	2	2	2
18	38120-MBT-D11	HORN COMP. (LOW) .....	-	-	1	1	1
19	38301-MEW-921	RELAY COMP., WINKER (MITSUBA)	-	-	1	1	1
20	38306-KK4-000	SUSPENSION, WINKER RELAY (MITSUBA)	-	-	1	1	1
21	38501-GN2-014	RELAY COMP., STARTER (MITSUBA)	-	-	5	5	5
22	38506-GC7-611	SUSPENSION, STARTER RELAY (MITSUBA)	-	-	5	5	5
23	38600-MBT-D51	ABS CONTROL UNIT .....	-	-	1	1	1

3



Ref. No.	Part No.	Description	Reqd. QTY			Serial No.	Parts catalogue code
			XL1000V 7 8 9	XL1000VA 7 8 9			
24	38770-MBT-C42	PGM-FI UNIT .....	-	-	-	1 1 1	
25	38775-MBT-K40	BRACKET SET, PGM-FI UNIT COVER .....	-	-	-	1 1 1	----- E,F
26	80109-MBT-D50	BAND, ABS UNIT .....	-	-	-	1 1 1	
27	90107-MBT-K40	BOLT, ONE-WAY, 6X18 .....	-	-	-	2 2 2	----- E,F
28	90117-MBT-D21	BOLT, HEX., 6X40 .....	-	-	-	2 2 2	
29	90282-MAT-000	NUT, 6X19 .....	-	-	-	2 2 2	
30	90650-KW3-000	BAND, WIRE .....	-	-	-	1 1 1	
31	90650-MBT-611	BAND, WIRE .....	-	-	-	1 1 1	
32	90652-KT1-771	BAND, WIRE (BLACK) .....	-	-	-	3 3 3	
33	91540-S0A-003	CLIP, HARNESS BAND (NATURAL) (96.9MM) .....	-	-	-	2 2 2	
34	93891-04020-08	SCREW-WASHER, 4X20 .....	-	-	-	2 2 2	
35	94050-06080	NUT, FLANGE, 6MM .....	-	-	-	2 2 2	
36	95012-15001	BAND, BATTERY .....	-	-	-	1 1 1	
37	95701-06030-00	BOLT, FLANGE, 6X30 .....	-	-	-	2 2 2	
38	95701-08012-07	BOLT, FLANGE, 8X12 .....	-	-	-	1 1 1	
39	95801-06020-00	BOLT, FLANGE, 6X20 .....	-	-	-	2 2 2	
40	98200-41000	FUSE, MINI (10A) .....	-	-	-	5 5 5	
41	98200-42000	FUSE, MINI (20A) .....	-	-	-	4 4 4	
42	98200-43000	FUSE, MINI (30A) .....	-	-	-	3 3 3	



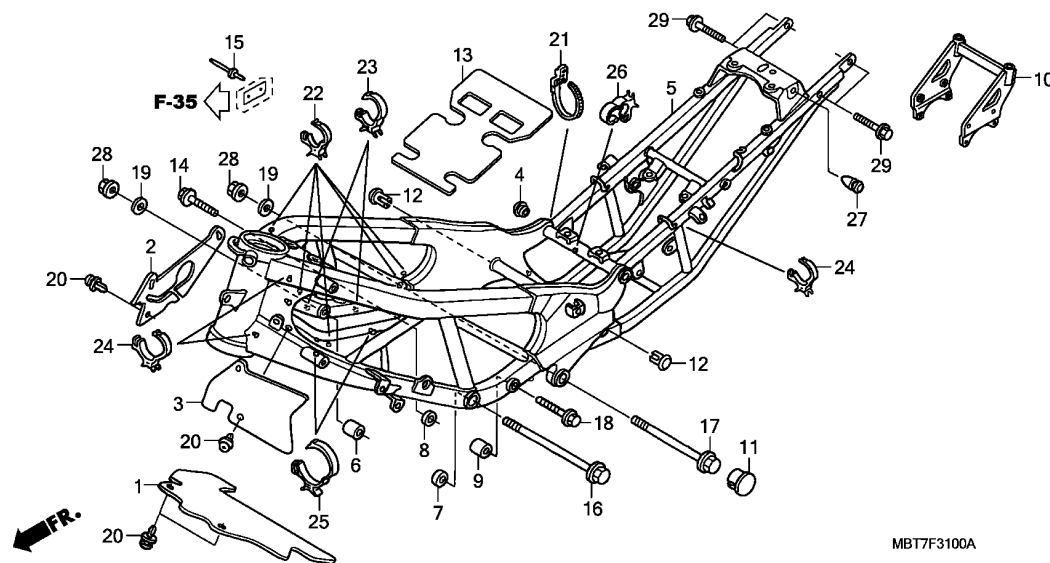


MBT7F3100A

Ref. No.	L.O.N.	(Relative ref. Number) Description	F.R.T.
1	4101K1	GUARD, LOWER HEAT .....	0.2
5	410100	BODY, FRAME .....	9.0
.INCLUDES: Engine removal and installation			
10	4101A7	STAY, REAR CARRIER .....	0.8

3

Ref. No.	Part No.	Description	Reqd. QTY						Serial No.	Parts catalogue code
			XL1000V			XL1000VA				
			7	8	9	7	8	9		
1	19125-MBT-D50	GUARD, LOWER HEAT .....	1	1	1	-	-	-		
2	19126-MBT-D70	GUARD, R. HEAT .....	1	1	1	-	-	-		
3	19127-MBT-D50	GUARD, L. HEAT .....	1	1	1	-	-	-		
4	42717-329-000	CAP, RIM HOLE .....	1	1	1	-	-	-		
5	50100-MBT-C40	BODY COMP., FRAME .....	1	1	1	-	-	-		
6	50190-MBT-D21	COLLAR, R. FR. ENGINE HANGER	1	1	1	-	-	-		
7	50191-MBT-D21	COLLAR, L. FR. ENGINE HANGER	1	1	1	-	-	-		
8	50192-MBT-D21	COLLAR, R. RR. ENGINE HANGER	1	1	1	-	-	-		
9	50193-MBT-D21	COLLAR, L. RR. ENGINE HANGER	1	1	1	-	-	-		
10	50230-MBT-C40	STAY COMP., CARRIER MOUNTING	1	1	1	-	-	-		
11	50902-MBT-D20	CAP, L. END .....	1	1	1	-	-	-		
12	50903-MBT-C40	CAP, RR. CROSS PIPE .....	2	2	2	-	-	-		
13	80103-MBT-D50	PROTECTOR, HEAT MUDGUARD .....	1	1	1	-	-	-		
14	90003-ZF5-003	BOLT, FLANGE, 10X85 .....	1	1	1	-	-	-		
15	90040-GAS-900	RIVET, BLIND, 2.4X7 .....	2	2	2	-	-	-		
16	90110-MBT-D21	BOLT, SPECIAL, 12X273 .....	1	1	1	-	-	-		
17	90115-MBT-D50	BOLT, SPECIAL, 12X246 .....	1	1	1	-	-	-		
18	90326-SLO-A00	BOLT, 10X97 .....	1	1	1	-	-	-		
19	90501-KZ4-J40	WASHER, PLAIN, 12MM .....	2	2	2	-	-	-		
20	90684-GM6-003	CLIP ASSY., TRIM .....	4	4	4	-	-	-		
21	90690-GHB-601	CLIP, HARNESS BAND (15) .....	1	1	1	-	-	-		
22	90690-GHB-641	CLIP, CABLE, 10MM .....	5	5	5	-	-	-		
23	90690-GHB-651	CLIP, CABLE, 15MM .....	2	2	2	-	-	-		
24	90690-GHB-661	CLIP, CABLE, 20MM .....	3	3	3	-	-	-		
25	90690-GHB-671	CLIP, CABLE, 25MM .....	2	2	2	-	-	-		



MBT7F3100A

Ref. No.	Part No.	Description	Reqd. QTY			Serial No.	Parts catalogue code	
			XL1000V 7 8 9	XL1000VA 7 8 9				
26	90690-GHB-681	CLIP, CABLE, 30MM .....	1	1	1	-	-	-
27	90899-422-610	PLUG, CONE TYPE .....	1	1	1	-	-	-
28	94050-12000	NUT, FLANGE, 12MM .....	2	2	2	-	-	-
29	96300-08045-00	BOLT, FLANGE, 8X45 .....	4	4	4	-	-	-

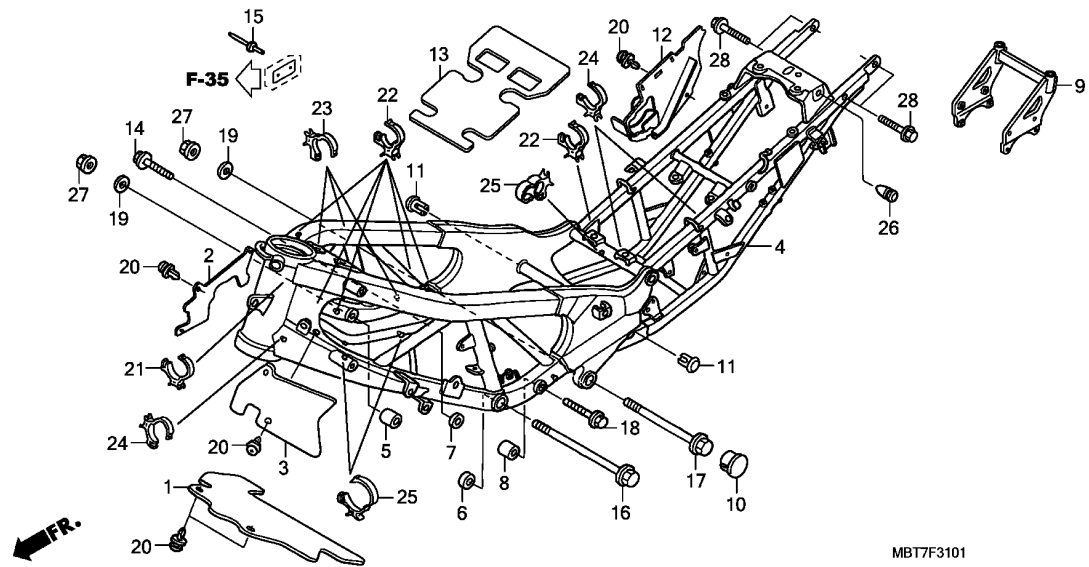




# F-31-1

# FRAME BODY (XL1000VA)

I16



Ref. No.	L.O.N.	(Relative ref. Number) Description	F.R.T.
1	4101K1	GUARD, LOWER HEAT .....	0.2
4	410100	BODY, FRAME .....	9.0
.INCLUDES: Engine removal and installation			
9	4101A7	STAY, REAR CARRIER .....	0.8

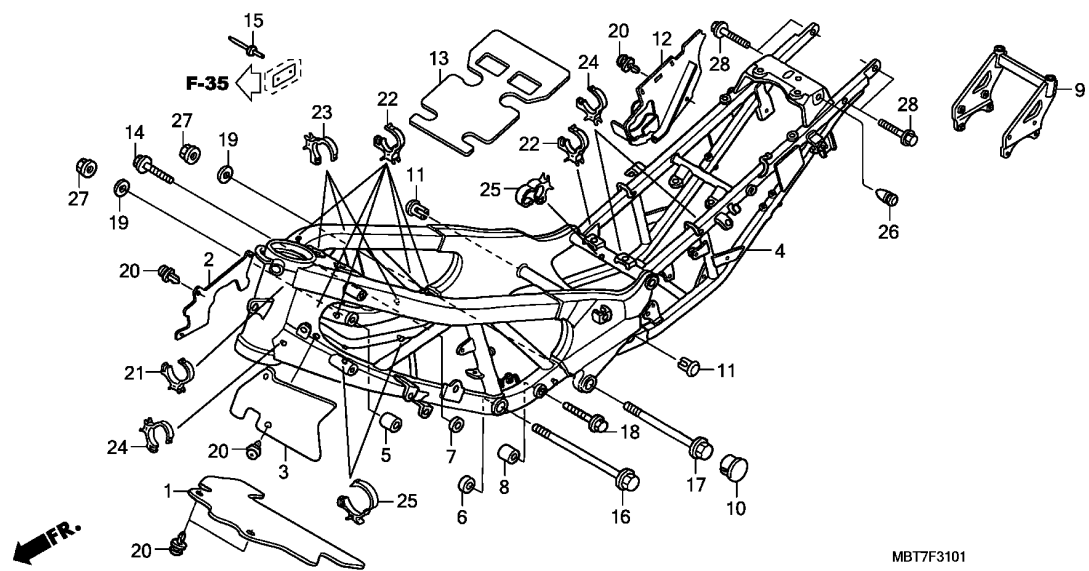
3

Ref. No.	Part No.	Description	Reqd. QTY						Serial No.	Parts catalogue code
			XL1000V			XL1000VA				
			7	8	9	7	8	9		
1	19125-MBT-D50	GUARD, LOWER HEAT .....	-	-	-	1	1	1		
2	19126-MBT-D51	GUARD, R. HEAT .....	-	-	-	1	1	1		
3	19127-MBT-D50	GUARD, L. HEAT .....	-	-	-	1	1	1		
4	50100-MBT-C50	BODY COMP., FRAME .....	-	-	-	1	1	1		
5	50190-MBT-D21	COLLAR, R. FR. ENGINE HANGER	-	-	-	1	1	1		
6	50191-MBT-D21	COLLAR, L. FR. ENGINE HANGER	-	-	-	1	1	1		
7	50192-MBT-D21	COLLAR, R. RR. ENGINE HANGER	-	-	-	1	1	1		
8	50193-MBT-D21	COLLAR, L. RR. ENGINE HANGER	-	-	-	1	1	1		
9	50230-MBT-C40	STAY COMP., CARRIER MOUNTING	-	-	-	1	1	1		
10	50902-MBT-D20	CAP, L. END .....	-	-	-	1	1	1		
11	50903-MBT-C40	CAP, RR. CROSS PIPE .....	-	-	-	2	2	2		
12	57407-MBT-C50	COVER, RR. SIDE INNER .....	-	-	-	1	1	1		
13	80103-MBT-D50	PROTECTOR, HEAT MUDGUARD .....	-	-	-	1	1	1		
14	90003-ZF5-003	BOLT, FLANGE, 10X85 .....	-	-	-	1	1	1		
15	90040-GAS-900	RIVET, BLIND, 2.4X7 .....	-	-	-	2	2	2		
16	90110-MBT-D21	BOLT, SPECIAL, 12X273 .....	-	-	-	1	1	1		
17	90115-MBT-D50	BOLT, SPECIAL, 12X246 .....	-	-	-	1	1	1		
18	90326-SLO-A00	BOLT, 10X97 .....	-	-	-	1	1	1		
19	90501-KZ4-J40	WASHER, PLAIN, 12MM .....	-	-	-	2	2	2		
20	90684-GM6-003	CLIP ASSY., TRIM .....	-	-	-	5	5	5		
21	90690-GHB-611	CLIP, HARNESS BAND, 25MM .....	-	-	-	1	1	1		
22	90690-GHB-641	CLIP, CABLE, 10MM .....	-	-	-	6	6	6		
23	90690-GHB-651	CLIP, CABLE, 15MM .....	-	-	-	3	3	3		
24	90690-GHB-661	CLIP, CABLE, 20MM .....	-	-	-	3	3	3		
25	90690-GHB-671	CLIP, CABLE, 25MM .....	-	-	-	3	3	3		

F-31-1

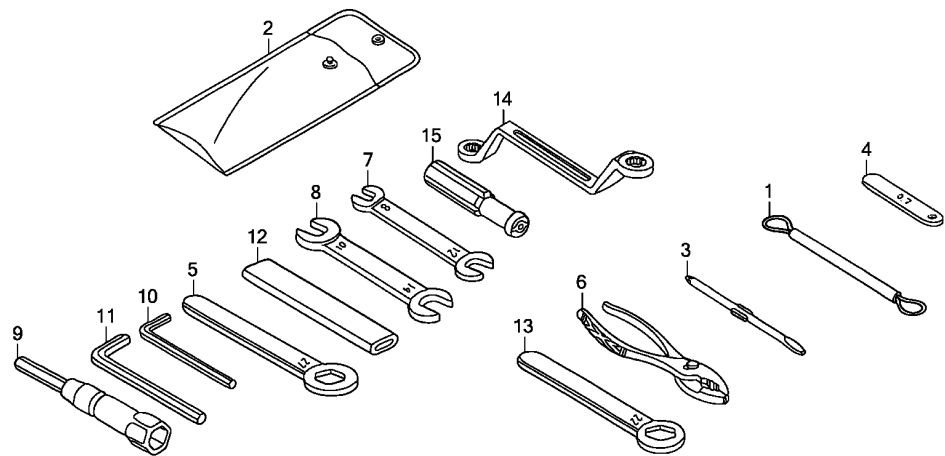
FRAME BODY (XL1000VA)

J 1



Ref. No.	Part No.	Description	Reqd. QTY						Serial No.	Parts catalogue code
			XL1000V			XL1000VA				
			7	8	9	7	8	9		
26	90899-422-610	PLUG, CONE TYPE .....	-	-	-	1	1	1		
27	94050-12000	NUT, FLANGE, 12MM .....	-	-	-	2	2	2		
28	96300-08045-00	BOLT, FLANGE, 8X45 .....	-	-	-	4	4	4		

3



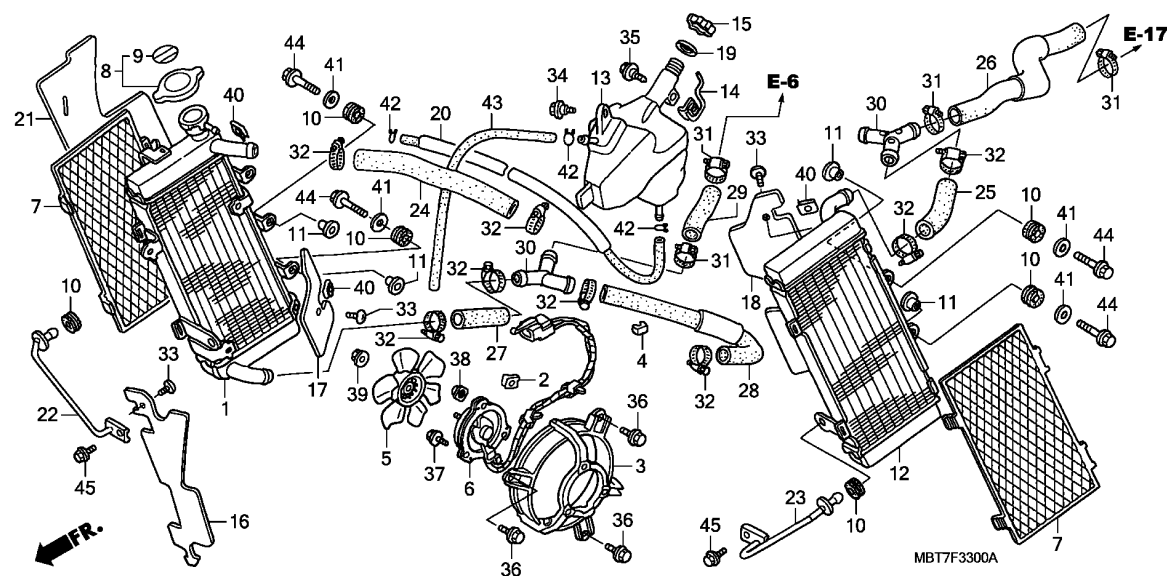
MBT7F3200

Ref. L.O.N. (Relative ref. Number) F.R.T.  
No. Description

NO INFORMATION .....

3

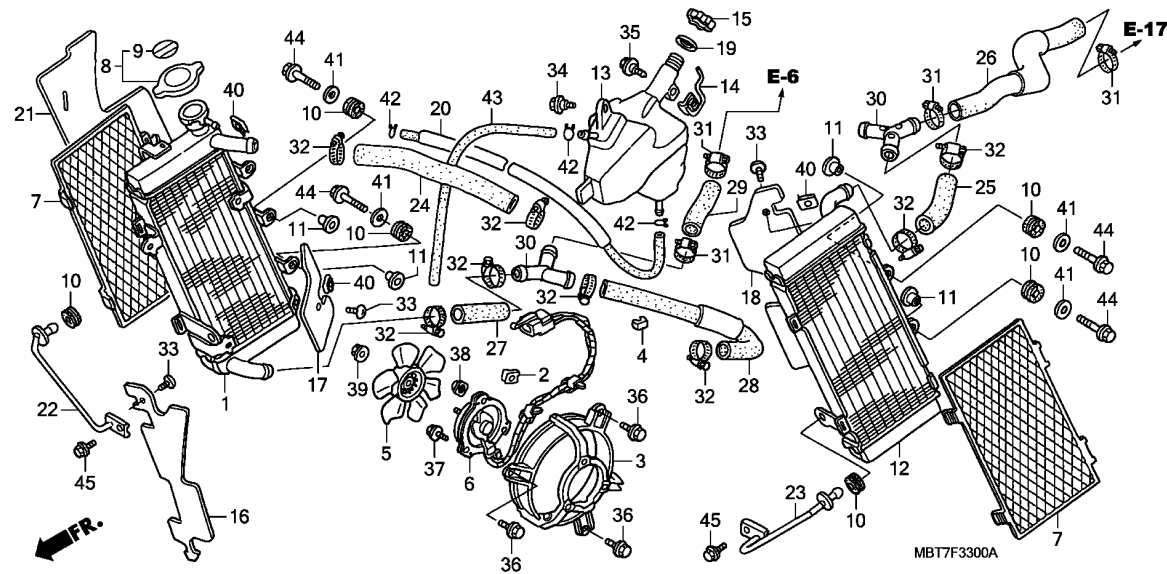
Ref. No.	Part No.	Description	Reqd. QTY						Serial No.	Parts catalogue code
			XL1000V			XL1000VA				
			7	8	9	7	8	9		
1	77236-KEA-000	WIRE, HELMET SETTING .....	1	-	-	1	-	-		
	77236-KM4-000	.....	-	1	1	-	1	1		
2	89101-300-010	BAG, TOOL .....	1	1	1	1	1	1		
3	89102-KPR-900	DRIVER, SCREW (+ -) .....	1	1	1	1	1	1		
4	89103-371-000	GAUGE, FEELER, 0.7MM .....	1	1	1	1	1	1		
5	89202-MER-D01	WRENCH, EYE, 27 .....	1	1	1	1	1	1		
6	89210-MBT-D20	PLIERS, 135 .....	1	1	1	1	1	1		
7	89211-KPC-D20	SPANNER, 8X12 .....	1	1	1	1	1	1		
8	89212-KPC-D20	SPANNER, 10X14 .....	1	1	1	1	1	1		
9	89216-MBT-D50	WRENCH, BOX (P18) .....	1	1	1	1	1	1		
10	89221-KPR-900	WRENCH, HEX., 5MM .....	1	1	1	1	1	1		
11	89222-MBT-D20	WRENCH, HEX., 6MM .....	1	1	1	1	1	1		
12	89224-KPC-D20	EXTENSION .....	1	1	1	1	1	1		
13	89226-KPC-D20	WRENCH, EYE, 22MM .....	1	1	1	1	1	1		
14	89227-MBT-D20	WRENCH, EYE, 10X12 .....	1	1	1	1	1	1		
15	89235-KPR-900	GRIP, SCREW DRIVER .....	1	1	1	1	1	1		



Ref. No.	L.O.N.	(Relative ref. Number) Description	F.R.T.
1	115102	RADIATOR :RIGHT .....	1.0
	1151A2	RADIATOR :BOTH .....	1.4
3	115125	SHROUD, RADIATOR .....	0.2
5	1151A6	FAN, COOLING .....	0.2
6	1151A7	MOTOR, FAN .....	0.4
7	1151B2	GRILLE, RADIATOR :LEFT .....	0.7
	1151B3	GRILLE, RADIATOR :RIGHT .....	0.7
	1151G3	GRILLE, RADIATOR :BOTH .....	0.7
8	1151B8	CAP, RADIATOR .....	0.3
12	115101	RADIATOR :LEFT .....	0.9
	1151A2	RADIATOR :BOTH .....	1.4
13	115110	TANK, RADIATOR RESERVE .....	1.0
24	1151C1	HOSE, RADIATOR :RIGHT UPPER ..	1.1
25	1151C0	HOSE, RADIATOR :LEFT UPPER ...	1.3
26	1151E9	HOSE, RADIATOR :REAR UPPER ...	1.3
27	1151C5	HOSE, RADIATOR :RIGHT LOWER ..	0.9
28	1151C4	HOSE, RADIATOR :LEFT LOWER ...	0.9
30	1151F0	JOINT, 3WAY HOSE :UPPER .....	1.3
	1151F1	JOINT, 3WAY HOSE :LOWER .....	0.9

Ref. No.	Part No.	Description	Reqd. QTY						Serial No.	Parts catalogue code
			XL1000V			XL1000VA				
			7	8	9	7	8	9		
1	19010-MBT-C41	RADIATOR COMP., R. ....	1	1	1	1	1	1		
2	19014-KEA-003	NUT, SETTING .....	3	3	3	3	3	3		
3	19015-MBT-610	SHROUD COMP. ....	1	1	1	1	1	1		
4	19017-PK1-004	CLIP, HARNESS (T.RAD) .....	1	1	1	1	1	1		
5	19020-MG8-003	FAN COMP., COOLING .....	1	1	1	1	1	1		
6	19030-MBT-C41	MOTOR ASSY., FAN .....	1	1	1	1	1	1		
7	19032-MBG-000	GRILLE, R. RADIATOR .....	2	2	2	2	2	2		
8	19037-GEE-710	CAP COMP., RADIATOR .....	1	1	1	1	1	1		
9	19046-PAA-A00	LABEL, RADIATOR CAP .....	1	1	1	1	1	1		
10	19051-KA3-830	RUBBER, RADIATOR MOUNTING ...	6	6	6	6	6	6		
11	19052-MN8-000	COLLAR, RADIATOR MOUNTING ...	4	4	4	4	4	4		
12	19060-MBT-C41	RADIATOR COMP., L. ....	1	1	1	1	1	1		
13	19101-MBT-D20	TANK, RADIATOR RESERVE .....	1	1	1	1	1	1		
14	19103-MBT-D10	CLAMP, RESERVE TANK CAP .....	1	1	1	1	1	1		
15	19104-ME9-000	CAP, RESERVE TANK .....	1	1	1	1	1	1		
16	19105-MBT-D50	PLATE A, R. RADIATOR .....	1	1	1	1	1	1		
17	19106-MBT-D50	PLATE B, R. RADIATOR .....	1	1	1	1	1	1		
18	19107-MBT-D50	PLATE, L. RADIATOR .....	1	1	1	1	1	1		
19	19107-MG8-000	PACKING, RESERVE TANK .....	1	1	1	1	1	1		
20	19109-MBT-D20	TUBE, OVERFLOW .....	1	1	1	1	1	1		
21	19120-MBT-D20	RUBBER, RADIATOR SHROUD .....	1	1	1	1	1	1		
22	19131-MBT-D20	STAY, R. RADIATOR MOUNTING ..	1	1	1	1	1	1		
23	19132-MBT-D20	STAY, L. RADIATOR MOUNTING ..	1	1	1	1	1	1		
24	19501-MBT-D20	HOSE, R. RADIATOR UPPER .....	1	1	1	1	1	1		
25	19502-MBT-610	HOSE, L. RADIATOR UPPER .....	1	1	1	1	1	1		





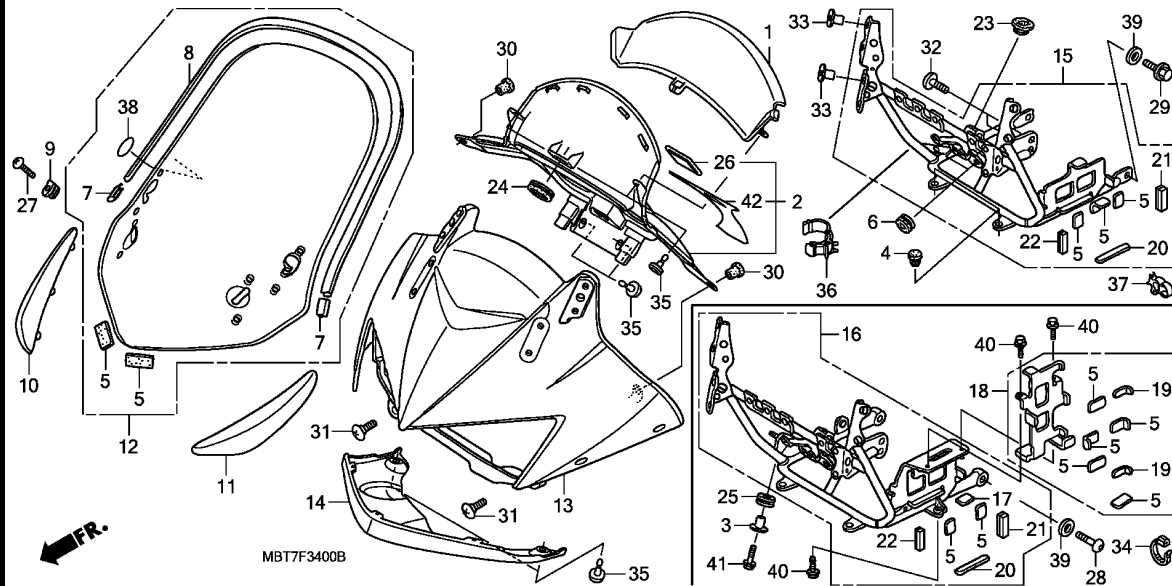
3

Ref. No.	Part No.	Description	Reqd. QTY						Serial No.	Parts catalogue code
			XL1000V			XL1000VA				
			7	8	9	7	8	9		
26	19503-MBT-D20	HOSE, RR. RADIATOR UPPER	1	1	1	1	1	1		
27	19504-MBT-D20	HOSE, R. RADIATOR LOWER	1	1	1	1	1	1		
28	19505-MBT-D20	HOSE, L. RADIATOR LOWER	1	1	1	1	1	1		
29	19506-MBT-610	HOSE, R. RADIATOR LOWER	1	1	1	1	1	1		
30	19508-MBT-611	JOINT, HOSE 3WAY	2	2	2	2	2	2		
31	19516-GAG-003	CLAMP, HOSE, 30-37MM	4	4	4	4	4	4		
32	19516-ML7-691	CLAMP, HOSE, 24-32MM	8	8	8	8	8	8		
33	90104-964-000	SCREW, PAN, 5X12	4	4	4	4	4	4		
34	90111-162-000	BOLT, FLANGE, 6MM	1	1	1	1	1	1		
35	90113-GE4-000	BOLT, FLANGE, 6MM(BLACK)	1	1	1	1	1	1		
36	90120-KCR-003	BOLT-WASHER, 6X16	3	3	3	3	3	3		
37	90196-MBB-003	BOLT, FLANGE, 5MM	3	3	3	3	3	3		
38	90303-MBB-003	NUT, SPECIAL, 5MM	3	3	3	3	3	3		
39	90315-MK3-003	NUT, SERRATE, 5MM	1	1	1	1	1	1		
40	90677-KAN-961	NUT, CLIP, 5MM	4	4	4	4	4	4		
41	94103-06000	WASHER, PLAIN, 6MM	4	4	4	4	4	4		
42	95002-02100	CLIP, TUBE (B10)	3	3	3	3	3	3		
43	95005-55720-20	TUBE, 5.3X720(95005-55001-20M)	1	1	1	1	1	1		
44	96001-06025-00	BOLT, FLANGE, 6X25	4	4	4	4	4	4		
45	96300-06014-00	BOLT, FLANGE, 6X14	2	2	2	2	2	2		

# F-34

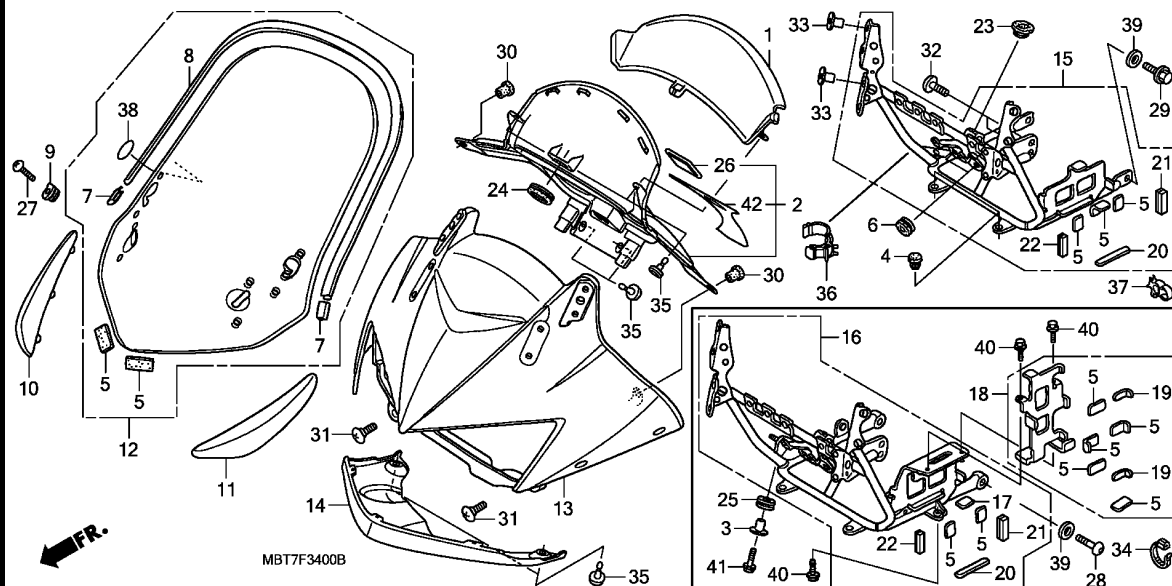
# UPPER COWL

J 5



Ref. No.	L.O.N.	(Relative ref. Number) Description	F.R.T.
1	812102	VISOR, METER .....	0.5
2	812140	PANEL, METER .....	0.5
12	411115	WINDSCREEN SET .....	0.2
13	4111B4	COWL, UPPER .....	0.7
14	413130	COVER, FRONT LOWER .....	0.1
15	411105	STAY, FRONT COVER .....	1.6

Ref. No.	Part No.	Description	Reqd. QTY						Serial No.	Parts catalogue code
			XL1000V			XL1000VA				
			7	8	9	7	8	9		
1	37115-MBT-C40	VISOR, METER .....	1	1	1	1	1	1		
2	37130-MBT-C40	PANEL COMP., METER .....	1	1	1	1	1	1		
3	50324-425-010	COLLAR, 6.3X13 .....	-	-	-	1	1	1		
4	50354-428-000	RUBBER B, STOPPER .....	2	2	2	2	2	2		
5	50383-GB6-300	RUBBER, BATTERY .....	5	5	5	9	9	9		
6	61103-MBT-D20	RUBBER, HEADLIGHT MOUNTING ..	2	2	2	2	2	2		
7	64102-MA3-720	CLIP, SCREEN MOLDING .....	2	2	2	2	2	2		
8	64106-MBT-D21	MOLDING, WINDSCREEN .....	1	1	1	1	1	1		
9	64111-MBT-D20	SPACER, WINDSCREEN .....	4	4	4	4	4	4		
10	64112-MBT-D20	COVER, R. WINDSCREEN .....	1	1	1	1	1	1		
11	64113-MBT-D20	COVER, L. WINDSCREEN .....	1	1	1	1	1	1		
12	64120-MBT-D21	WINDSCREEN SET .....	1	1	1	1	1	1		
13	64210-MBT-C40ZA	COWL, UPPER								
	*NH1*	.....BLACK	1	1	1	1	1	1		
14	64223-MBT-C40ZA	COVER, HEADLIGHT UNDER								
	*NH1*	.....BLACK	1	1	1	1	1	1		
15	64501-MBT-C40	STAY COMP., FR. COWL .....	1	1	1	-	-	-		
16	64501-MBT-C50	STAY COMP., FR. COWL .....	-	-	-	1	1	1		
17	64510-MBT-D50	RUBBER B, FI UNIT .....	-	-	-	1	1	1		
18	64520-MBT-D50	STAY, ABS UNIT .....	-	-	-	1	1	1		
19	64530-MBT-D50	RUBBER, ABS UNIT .....	-	-	-	2	2	2		
20	64547-MBT-C40	RUBBER, ELECTRIC CONTROL UNIT MOUNT (A)	1	1	1	1	1	1		
21	64548-MBT-C40	RUBBER, ELECTRIC CONTROL UNIT MOUNT (B)	1	1	1	1	1	1		

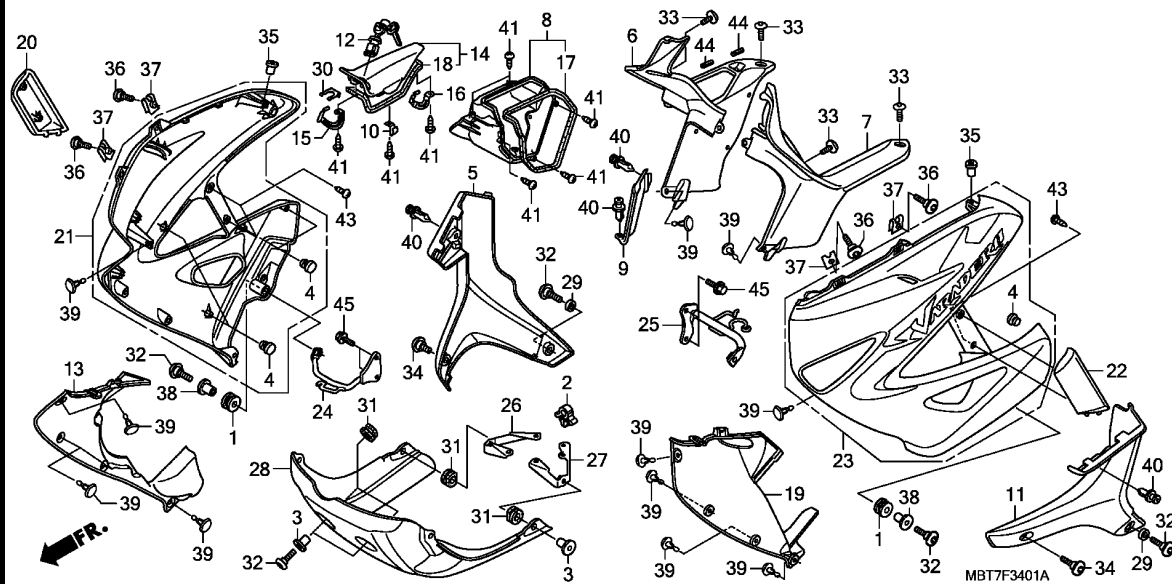


Ref. No.	Part No.	Description	Reqd. QTY						Serial No.	Parts catalogue code
			XL1000V			XL1000VA				
			7	8	9	7	8	9		
22	64549-MBT-C40	RUBBER, ELECTRIC CONTROL UNIT MOUNT (C)	1	1	1	1	1	1		
23	83551-GE2-000	GROMMET, AIR CLEANER CASE	1	1	1	1	1	1		
24	83601-MB0-000	GROMMET A, SIDE COVER	1	1	1	1	1	1		
25	84706-198-740	RUBBER, TAILLIGHT	-	-	-	1	1	1		
26	86150-KPG-901	EMBLEM, PRODUCT (MARUI)	1	1	1	1	1	1		
27	90101-KW6-840	SCREW, SPECIAL, 5X28	4	4	4	4	4	4		
28	90105-KZ3-B00	BOLT, SOCKET, R. STEP	-	-	-	2	2	2		
29	90105-960-710	BOLT, HEX., 10X20	2	2	2	-	-	-		
30	90111-MM9-000	NUT, COWL SETTING, 5MM	2	2	2	2	2	2		
31	90113-MM5-000	SCREW, PAN, 6X14	2	2	2	2	2	2		
32	90128-KBP-900	BOLT, SOCKET, 8X16	2	2	2	2	2	2		
33	90156-SE3-003	BLIND, FASTENER	8	8	8	8	8	8		
34	90620-KEB-620	BAND, WIRE	-	-	-	1	1	1		
35	90657-SB0-003	CLIP, SPLASH SHIELD	6	6	6	6	6	6		
36	90690-GHB-641	CLIP, CABLE, 10MM	1	1	1	1	1	1		
37	90690-GHB-681	CLIP, CABLE, 30MM	1	1	1	-	-	-		
38	91657-SPO-000	SEAL C, DOOR PANEL HOLE (25MM)	2	2	2	2	2	2		
39	94101-10800	WASHER, PLAIN, 10MM	2	2	2	2	2	2		
40	95801-06010-07	BOLT, FLANGE, 6X10	-	-	-	3	3	3		
41	95801-06020-07	BOLT, FLANGE, 6X20	-	-	-	1	1	1		
42	37109-MBT-C40	PANEL, METER	1	1	1	1	1	1		

# F-34-1

# UNDER COWL

J 7

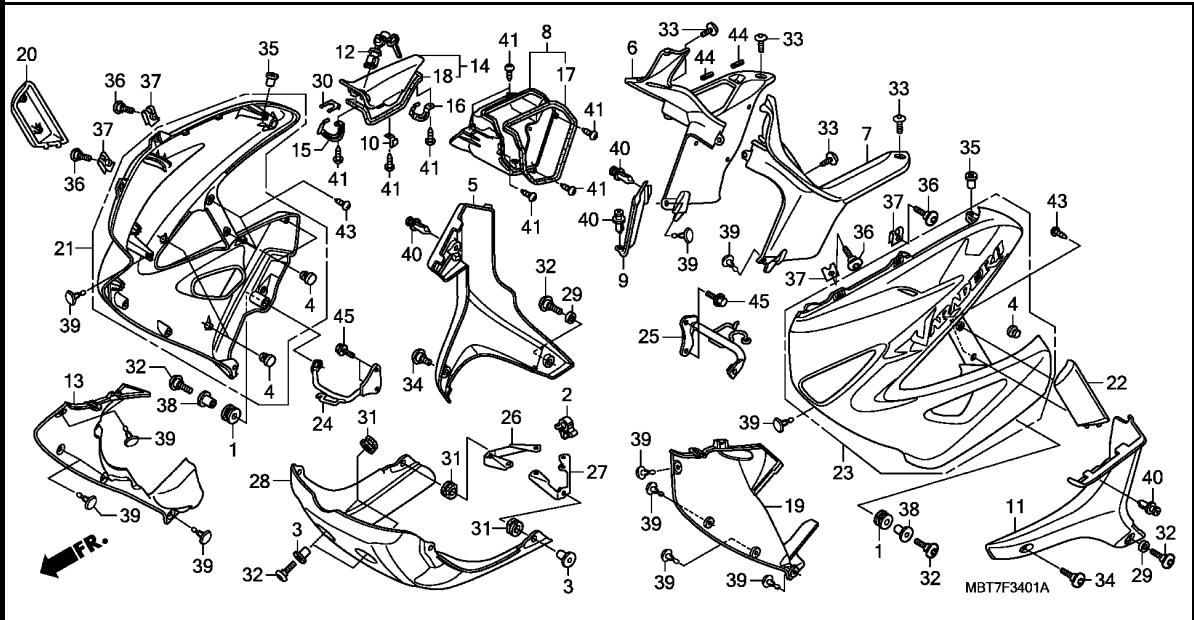


Ref. No.	L.O.N.	(Relative ref. Number) Description	F.R.T.
5	4111D7	COWL, LOWER :RIGHT	0.1
	4111H1	COWL, LOWER :BOTH	0.2
6	4111J7	COVER, UPPER COWL :RIGHT	0.3
	4111M6	COVER, UPPER COWL :BOTH	0.4
7	4111J6	COVER, UPPER COWL :LEFT	0.2
	4111M6	COVER, UPPER COWL :BOTH	0.4
8	4111B9	POCKET, COWL :RIGHT	0.3
11	4111D6	COWL, LOWER :LEFT	0.1
	4111H1	COWL, LOWER :BOTH	0.2
12	411130	LOCK, POCKET LID	0.1
13	4111D9	COWL, INNER :RIGHT	0.1
	4111E0	COWL, INNER :BOTH	0.1
14	4111F3	COVER, POCKET :RIGHT	0.1
19	4111D8	COWL, INNER :LEFT	0.1
	4111E0	COWL, INNER :BOTH	0.1
21	4111D4	COWL, MIDDLE :RIGHT	0.8
	4111D5	COWL, MIDDLE :BOTH	0.9
23	4111D3	COWL, MIDDLE :LEFT	0.8
	4111D5	COWL, MIDDLE :BOTH	0.9
28	410135	PLATE, SKID	0.2

Ref. No.	Part No.	Description	Reqd. QTY						Serial No.	Parts catalogue code
			XL1000V			XL1000VA				
			7	8	9	7	8	9		
1	17611-MB1-000	CUSHION, FUEL TANK FR. ....	2	2	2	2	2	2		
2	32165-SA5-003	CLIP, HARNESS, 9MM(WHITE) ...	1	1	1	1	1	1		
3	50302-MBT-C40	COLLAR, MOUNT RUBBER .....	4	4	4	4	4	4		
4	61112-727-000	RUBBER, TENSIONER ARM .....	8	8	8	8	8	8		
5	64220-MBT-C40	COVER, R. LOWER .....	1	1	1	1	1	1		
6	64221-MBT-C40ZA	COVER, R. UPPER COWL *NH1*.....BLACK	1	1	1	1	1	1		
7	64222-MBT-C40ZA	COVER, L. UPPER COWL *NH1*.....BLACK	1	1	1	1	1	1		
8	64225-MBT-C40	BODY COMP., POCKET (A) .....	1	1	1	1	1	1		
9	64228-MBT-C40	BODY, R. POCKET (B) .....	1	1	1	1	1	1		
10	64229-MBT-C40	PLATE, LID LOCK .....	1	1	1	1	1	1		
11	64230-MBT-C40	COVER, L. LOWER .....	1	1	1	1	1	1		
12	64238-MEJ-J00	LOCK ASSY., POCKET LID .....	1	1	1	1	1	1		
13	64270-MBT-D20ZB	COWL, R. INNER *NH1*.....BLACK	1	1	1	1	1	1		
14	64272-MBT-C40	LID COMP., R. POCKET .....	1	1	1	1	1	1		
15	64275-MBT-C40	ARM, FR. POCKET LID .....	1	1	1	1	1	1		
16	64276-MBT-C40	ARM, RR. POCKET LID .....	1	1	1	1	1	1		
17	64277-MBT-C40	SEAL, POCKET (A) .....	1	1	1	1	1	1		
18	64278-MBT-C40	SEAL, POCKET (B) .....	1	1	1	1	1	1		
19	64280-MBT-D20ZB	COWL, L. INNER *NH1*.....BLACK	1	1	1	1	1	1		
20	64321-MBT-D20ZA	FIN, R. RADIATOR *NH1*.....BLACK	1	1	1	1	1	1		

3



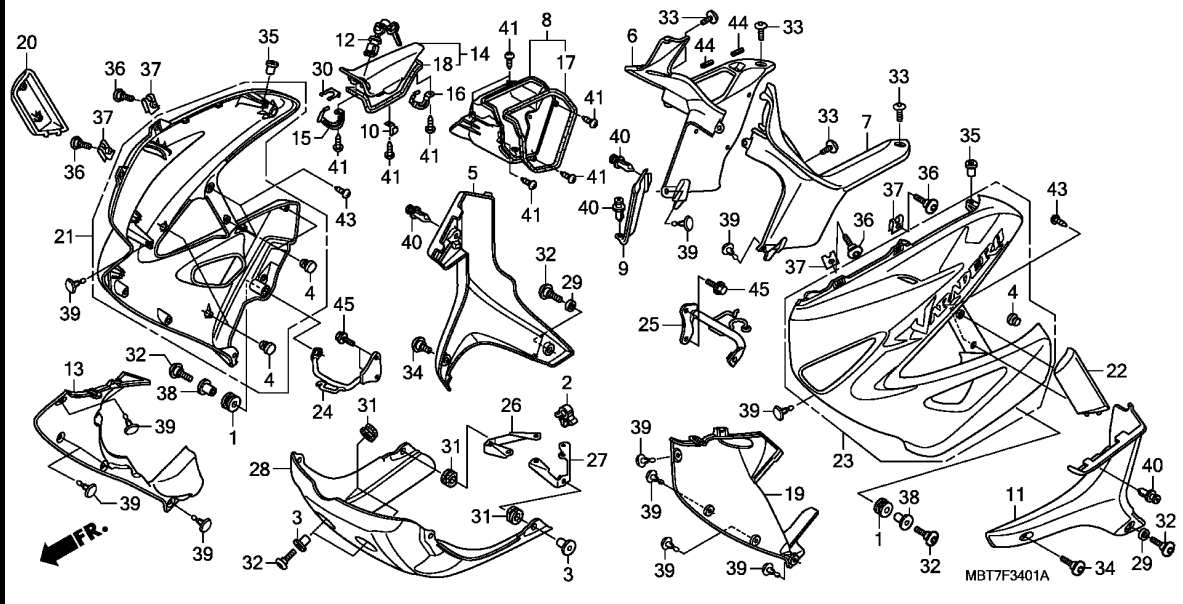


Ref. No.	Part No.	Description	Reqd. QTY						Serial No.	Parts catalogue code
			XL1000V			XL1000VA				
			7	8	9	7	8	9		
21	64330-MBT-C40ZA	COWL SET, R. MIDDLE *TYPE1*	1	1	1	1	1	1		
		(WL)								
	64330-MBT-C40ZB	COWL SET, R. MIDDLE *TYPE2*	1	-	-	1	-	-		
		(WL)								
	64330-MBT-C40ZC	COWL SET, R. MIDDLE *TYPE3*	1	1	1	1	1	1		
		(WL)								
	64330-MBT-C80ZD	COWL SET, R. MIDDLE *TYPE1	-	1	-	-	1	-		
		1*(WL)								
	64330-MBT-S20ZA	COWL SET, R. MIDDLE *TYPE1*	-	-	1	-	-	1		
		(WL)								
22	64371-MBT-D20ZA	FIN, L. RADIATOR *NH1*	1	1	1	1	1	1		
		.....BLACK								
23	64380-MBT-C40ZA	COWL SET, L. MIDDLE *TYPE1*	1	1	1	1	1	1		
		(WL)								
	64380-MBT-C40ZB	COWL SET, L. MIDDLE *TYPE2*	1	-	-	1	-	-		
		(WL)								
	64380-MBT-C40ZC	COWL SET, L. MIDDLE *TYPE3*	1	1	1	1	1	1		
		(WL)								
	64380-MBT-C80ZD	COWL SET, L. MIDDLE *TYPE1	-	1	-	-	1	-		
		1*(WL)								
	64380-MBT-S20ZA	COWL SET, L. MIDDLE *TYPE1*	-	-	1	-	-	1		
		(WL)								
24	64415-MBT-D20	STAY, R. MIDDLE COWL .....	1	1	1	1	1	1		
25	64416-MBT-D20	STAY, L. MIDDLE COWL .....	1	1	1	1	1	1		
26	64418-MBT-C40	STAY, R. UNDER COWL .....	1	1	1	1	1	1		
27	64419-MBT-C40	STAY, L. UNDER COWL .....	1	1	1	1	1	1		
28	64440-MBT-C40	PLATE, SKID .....	1	1	1	1	1	1		
29	77231-KRM-830	COLLAR, RR., CENTER COWL ....	2	2	2	2	2	2		

# F-34-1

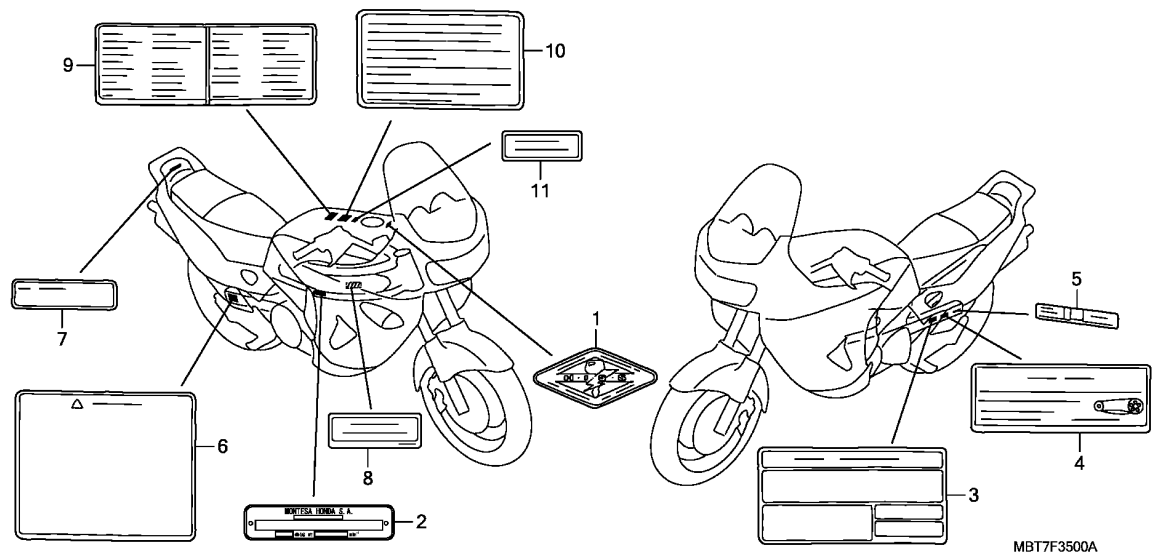
# UNDER COWL

J 9



Ref. No.	Part No.	Description	Reqd. QTY						Serial No.	Parts catalogue code
			XL1000V			XL1000VA				
			7	8	9	7	8	9		
30	77235-469-000	SPRING, LOCK KEY SETTING . . . .	1	1	1	1	1	1		
31	80101-283-000	RUBBER, RR. FENDER CUSHION ..	4	4	4	4	4	4		
32	90085-KFB-000	BOLT, SPECIAL, 6X22 .....	6	6	6	6	6	6		
33	90103-MBG-000	SCREW, PAN, 5X20 .....	4	4	4	4	4	4		
34	90106-KCZ-000	SCREW, SPECIAL, 6MM .....	2	2	2	2	2	2		
35	90111-MM9-000	NUT, COWL SETTING, 5MM .....	2	2	2	2	2	2		
36	90113-MM5-000	SCREW, PAN, 6X14 .....	4	4	4	4	4	4		
37	90320-MM5-000	NUT, SPRING, 6MM .....	4	4	4	4	4	4		
38	90501-GR2-000	COLLAR, 6.2X11 .....	2	2	2	2	2	2		
39	90657-SB0-003	CLIP, SPLASH SHIELD .....	12	12	12	12	12	12		
40	90683-GR1-003	CLIP, BODY COVER .....	4	4	4	4	4	4		
41	93903-24280	SCREW, TAPPING, 4X10 .....	8	8	8	8	8	8		
43	93903-35280	SCREW, TAPPING, 5X12 .....	4	4	4	4	4	4		
44	94305-30322	PIN, SPRING, 3X32 .....	2	2	2	2	2	2		
45	96300-06010-07	BOLT, FLANGE, 6X10 .....	4	4	4	4	4	4		

3

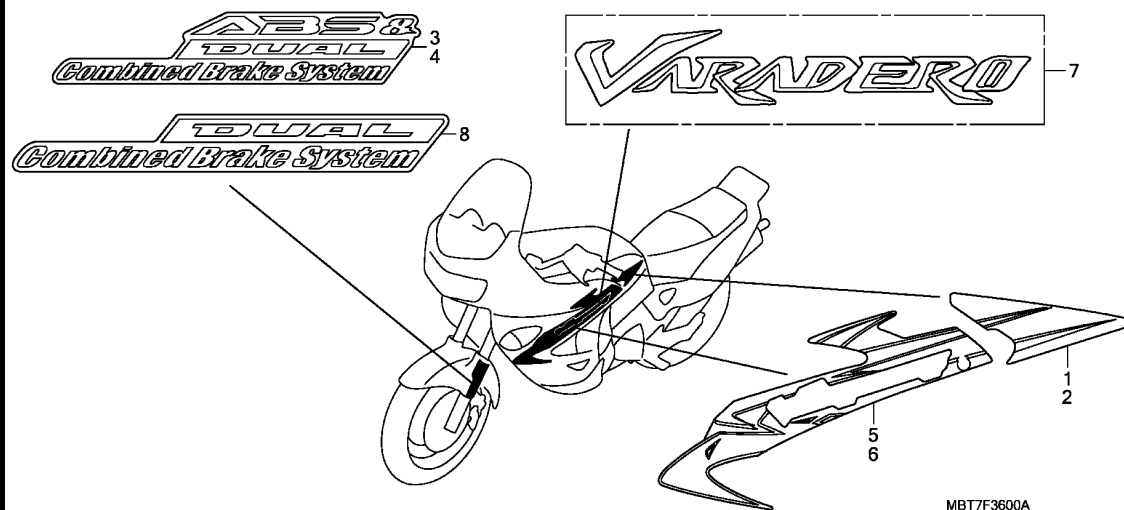


Ref. L.O.N. (Relative ref. Number) F.R.T.  
 No. Description

NO INFORMATION .....

3

Ref. No.	Part No.	Description	Reqd. QTY						Serial No.	Parts catalogue code
			XL1000V			XL1000VA				
			7	8	9	7	8	9		
1	17528-MAT-D70	MARK, HISS .....	1	1	1	1	1	1		
2	87501-MFC-P00	PLATE, REGISTERED NUMBER .....	1	1	1	1	1	1		
3	87505-MBT-D50	LABEL, TIRE .....	1	1	1	1	1	1	-----	E,ED,EK
	87505-MBT-F50	LABEL, TIRE (FRENCH) .....	1	1	1	1	1	1	-----	F
4	87507-KZ1-600	LABEL, DRIVE CHAIN .....	1	1	1	1	1	1	-----	E,ED,EK
	87507-KZ1-880	LABEL, DRIVE CHAIN (FRENCH) .....	1	1	1	1	1	1	-----	F
5	87508-MK6-670	LABEL, CHAIN ADJUSTER .....	1	1	1	1	1	1	-----	E,ED,EK
	87508-MZ1-620	LABEL, CHAIN ADJUSTER (FRENCH) .....	1	1	1	1	1	1	-----	F
6	87512-MBT-D50	LABEL, ACCESSORIES & LOADING .....	1	1	1	1	1	1	-----	E,ED,EK
	87512-MBT-F50	LABEL, ACCESSORIES & LOADING (FRENCH) .....	1	1	1	1	1	1	-----	F
7	87513-MV1-600	LABEL, LUGGAGE CARRIER CAUTION .....	1	1	1	1	1	1	-----	E,ED,EK
	87513-MV1-630	LABEL, LUGGAGE CARRIER CAUTION (FRENCH) .....	1	1	1	1	1	1	-----	F
8	87525-MZ3-300	LABEL, CARGO LIMIT (0.5KG) ..	1	1	1	1	1	1	-----	E,ED,EK
	87525-MZ3-620	LABEL, CARGO LIMIT (0.5KG) (FRENCH) .....	1	1	1	1	1	1	-----	F
9	87560-MAN-620	LABEL, FRENCH TRANSLATION .....	1	1	1	1	1	1	-----	F
	87560-MZ0-611	LABEL, DRIVE (ENGLISH/FRENCH/GERMANY) .....	1	1	1	1	1	1		
11	87586-KGF-900	LABEL, FUEL .....	1	1	1	1	1	1	-----	E,ED,EK
	87586-KGF-930	LABEL, FUEL (FRENCH) .....	1	1	1	1	1	1	-----	F



Ref. L.O.N. (Relative ref. Number) F.R.T.  
No. Description

NO INFORMATION .....

Ref. No.	Part No.	Description	Reqd. QTY						Serial No.	Parts catalogue code
			XL1000V			XL1000VA				
			7	8	9	7	8	9		
1	17511-MBT-C40ZA	STRIPE, R. FUEL TANK *TYPE1*	1	1	1	1	1	1		
	17511-MBT-C40ZB	STRIPE, R. FUEL TANK *TYPE2*	1	-	-	1	-	-		
	17511-MBT-C40ZC	STRIPE, R. FUEL TANK *TYPE3*	1	1	1	1	1	1		
	17511-MBT-C80ZA	STRIPE, R. FUEL TANK *TYPE1*	-	1	-	-	1	-		
	17511-MBT-S20ZA	.....	-	-	1	-	-	1		
2	17512-MBT-C40ZA	STRIPE, L. FUEL TANK *TYPE1*	1	1	1	1	1	1		
	17512-MBT-C40ZB	STRIPE, L. FUEL TANK *TYPE2*	1	-	-	1	-	-		
	17512-MBT-C40ZC	STRIPE, L. FUEL TANK *TYPE3*	1	1	1	1	1	1		
	17512-MBT-C80ZA	STRIPE, L. FUEL TANK *TYPE1*	-	1	-	-	1	-		
	17512-MBT-S20ZA	.....	-	-	1	-	-	1		
3	61105-MBT-C50ZB	MARK, R. FR. FENDER *TYPE1*	-	-	-	1	1	1		
4	61106-MBT-C50ZB	MARK, L. FR. FENDER *TYPE1*	-	-	-	1	1	1		
5	64331-MBT-C40ZA	STRIPE, R. MIDDLE COWL *TYPE1*	1	1	1	1	1	1		
	64331-MBT-C40ZB	STRIPE, R. MIDDLE COWL *TYPE2*	1	-	-	1	-	-		
	64331-MBT-C40ZC	STRIPE, R. MIDDLE COWL *TYPE3*	1	1	1	1	1	1		
	64331-MBT-C80ZA	STRIPE, R. MIDDLE COWL *TYPE1*	-	1	-	-	1	-		
	64331-MBT-S20ZA	.....	-	-	1	-	-	1		
6	64332-MBT-C40ZA	STRIPE, L. MIDDLE COWL *TYPE1*	1	1	1	1	1	1		
	64332-MBT-C40ZB	STRIPE, L. MIDDLE COWL *TYPE2*	1	-	-	1	-	-		
	64332-MBT-C40ZC	STRIPE, L. MIDDLE COWL *TYPE3*	1	1	1	1	1	1		
	64332-MBT-C80ZA	STRIPE, L. MIDDLE COWL *TYPE1*	-	1	-	-	1	-		
	64332-MBT-S20ZA	.....	-	-	1	-	-	1		
7	87131-MBT-C40ZA	MARK *TYPE1*(VARADERO) .....	2	2	2	2	2	2		
8	87134-MBT-C40ZB	MARK, FR. FENDER *TYPE1*	2	2	2	-	-	-		





# PART NO. INDEX

K 3

Part Number				Address				Page				Ref.							
35113-MFJ-D01	F11	73	8	37870-KRJ-901	E12	60	11	43000				44650-MBT-C40	G5	83	9	45134-KB7-005	F15	77	1
35121-MBW-601	F11	73	9	37880-P05-A00	H7	101	22	43107-MBG-006	G13	91	4	44711-MBT-D21	G5	83	10		F16	78	1
35121-MFJ-D00	F11	73	10					43155-MBT-C50	G8	86	1					45134-MBT-C40	G11	89	3
35130-MBT-D50	F3	65	8	38000				43156-MAT-000	I1	111	7	45000				45134-MBT-D50	G12	90	3
35160-MBW-D21	I10	120	13					43159-MBT-D50	I1	111	10	45107-MAJ-G41	G2	80	7	45142-MBT-C51	G10	88	4
	I12	122	14	38120-MBT-D11	I10	120	17	43190-MBT-611	G13	91	7		G3	81	7		G11	89	4
35162-MN5-003	I10	120	15		I12	122	18	43150-MBT-C41	G13	91	6		G4	82	7	45143-MBT-D51	F10	72	2
	I12	122	16	38301-MEW-921	I10	120	19	43150-MBT-C51	G14	92	6		G6	82	7	45144-MBT-D51	F9	71	7
35163-MN5-003	I10	120	16		I12	122	19	43155-MBT-C50	G8	86	1	45108-MBT-612	G13	91	10	45150-MBT-C41	G4	82	15
	I12	122	17	38306-KK4-000	I10	120	20	43156-MAT-000	I1	111	7		G14	92	10	45155-MBT-D10	F8	70	8
35330-MK5-003	F3	65	9		I12	122	20	43156-MBT-D50	I1	111	8	45108-MBT-D52	G2	80	8		F9	71	8
35340-MM5-600	F5	67	1	38501-GN2-014	I10	120	21	43159-MBT-610	I1	111	10		G3	81	8	45156-MBT-D10	F8	70	9
	F6	68	1		I12	122	21	43159-MBT-D50	I1	111	9		G4	82	8		F9	71	9
35350-KW6-960	H13	107	5	38506-GC7-611	I10	120	22	43190-MBT-611	G13	91	7	45111-MAJ-G41	G2	80	9	45157-MBT-D10	F8	70	10
35350-MBT-610	H13	107	6		I12	122	22	43190-MBT-D51	G14	92	7		G3	81	9	45157-MBT-D50	G15	93	16
35350-MBT-D50	H13	107	5	38510-MBT-C51	G15	93	2	43310-MBT-C51	G8	86	2		G4	82	9	45158-MBT-D10	F8	70	11
35357-KC1-730	H13	107	7	38520-MBT-D50	G5	83	1	43310-MBT-D11	G6	84	1		G13	91	11		F9	71	10
35500-MJ4-024	E4	52	6	38600-MBT-D51	I12	122	23	43311-MBT-C51	G8	86	3		G14	92	11	45160-MBT-C40	F11	73	11
35600-KE8-003	E4	52	7	38770-MBT-C42	I10	120	23	43311-MBT-D11	G6	84	2	45112-MZ2-006	G2	80	10	45161-MBT-D10	F8	70	12
35700-MBB-305	H16	110	1		I13	123	24	43312-MBT-C51	G10	88	2		G3	81	10		F9	71	11
35700-MBB-306	H16	110	1	38775-MBT-K40	I11	121	24	43314-MBT-C51	G10	88	3		G4	82	10	45161-MBT-D50	F11	73	12
35850-MK3-671	I9	119	9		I13	123	25	43315-MBT-D20	G6	84	3	45120-MBT-D52	G5	83	11	45161-MCW-D10	G5	83	12
35851-MF5-751	I9	119	10					43351-MBT-D21	G15	93	15	45123-MBT-D21	F8	70	1	45162-MBT-D50	F10	72	3
35855-MG7-751	I9	119	11	40000				43352-568-003	G2	80	5	45123-MBT-D51	F10	72	1	45167-MBT-D50	F9	71	12
35856-MF5-751	I9	119	12						G3	81	5	45124-MBT-C41	F5	67	2	45171-MBT-D50	F6	68	3
				40510-MBT-D10	I1	111	3		G4	82	5	45124-MBT-D51	F6	68	2	45172-MBT-D50	F9	71	13
				40535-MAL-G01	I1	111	4		G13	91	8	45125-MBT-D51	F8	70	2	45175-MBT-D50	F10	72	4
36000				40535-MAL-G02	I1	111	4		G14	92	8		F9	71	1	45182-MBT-D50	G5	83	13
36132-PH4-671	H9	103	4	40542-MBT-D50	I1	111	5	43353-461-771	G2	80	6	45126-MBT-C41	F8	70	3	45183-MBT-D50	G5	83	14
36138-PR7-A01	H9	103	5	40543-MBT-D20	I1	111	6		G3	81	6	45126-MBT-D51	F9	71	2	45203-MCC-006	G13	91	16
36140-MBT-F21	D4	36	11						G4	82	6	45127-MBT-D51	F8	70	4		G14	92	16
36163-PV0-004	H9	103	6	41000					G13	91	9		F9	71	3	45207-MAJ-G41	G13	91	17
36450-MCH-010	H10	104	8						G14	92	9	45128-MBT-D51	F8	70	5		G14	92	17
36531-MBT-C41	H12	106	28	41201-MBT-610	G15	93	3	43503-MB2-006	G6	84	4		F9	71	4	45215-MAJ-G41	G13	91	18
36627-MN5-000	H9	103	7						G8	86	4	45129-MBT-D51	F8	70	6		G14	92	18
				42000				43504-MB2-006	G6	84	5		F9	71	5	45215-MBT-D51	G2	80	15
37000									G8	86	5	45130-MBT-610	F8	70	7		G3	81	15
37100-MBT-C41	F2	64	1	42301-MBT-D20	G15	93	4	43510-MBT-D22	G6	84	6		F9	71	6		G4	82	16
37100-MBT-C51	F2	64	1	42311-MBT-D20	G15	93	5		G8	86	6	45131-MAC-681	G13	91	12	45217-MAJ-G41	G4	82	17
37100-MBT-K41	F2	64	1	42312-MBT-D10	G15	93	6	43511-MA6-006	G6	84	7		G14	92	12	45218-MAJ-G41	G2	80	16
37100-MBT-K51	F2	64	1	42515-MBT-D50	G15	93	7		G8	86	7	45131-ML7-921	G2	80	11		G3	81	16
37109-MBT-C40	J6	132	42	42615-MBT-D20	G15	93	8	43512-MBT-611	G6	84	8		G3	81	11	45220-MBT-D51	G5	83	15
37110-MBT-C41	F2	64	2	42620-MBT-610	G15	93	9	43512-MBT-C51	G8	86	8		G4	82	11	45250-MBT-C41	G2	80	17
37115-MBT-C40	J5	131	1	42625-MBT-D10	G15	93	10	43513-MY1-006	G6	84	9	45131-MZ2-006	G13	91	13	45250-MBT-C51	G3	81	17
37130-MBT-C40	J5	131	2	42650-MBT-C40	G15	93	11		G8	86	9		G14	92	13	45442-MAT-000	G4	82	18
37200-MBT-C41	F2	64	3	42650-MBT-C50	G15	93	11	43514-445-771	G6	84	10	45132-166-016	G2	80	13	45452-MZ2-000	F15	77	2
37200-MBT-C51	F2	64	3	42704-MCF-D60	G5	83	2		G8	86	10		G3	81	13		F16	78	2
37200-MBT-K41	F2	64	3		G15	93	12	43520-MBT-612	G6	84	11		G4	82	13	45504-410-003	F5	67	3
37200-MBT-K51	F2	64	3	42705-MCF-D60	G5	83	2		G8	86	11		G13	91	14		F6	68	4
37243-KV3-830	F2	64	4		G15	93	12	43530-MBT-611	G6	84	12		G14	92	14	45510-MBT-611	F5	67	4
37244-MM4-000	F2	64	5	42706-MCF-D60	G5	83	2		G8	86	12	45132-MBT-C40	G11	89	1		F6	68	5
37615-MBT-D21	F2	64	6		G15	93	12					45132-MBT-D50	G12	90	1	45513-KK1-771	F5	67	5
37615-MBT-D51	F2	64	6	42711-MBT-D21	G15	93	13	44000				45133-MA3-006	G2	80	14		F6	68	6
37700-MBT-G70	E4	52	8	42717-329-000	I14	124	4						G3	81	14	45517-166-006	F5	67	6
37700-MBT-G71	E4	52	8	42753-KBS-901	G5	83	3	44301-MBT-D20	G5	83	4		G4	82	14		F6	68	7
37810-MBT-612	H2	96	30		G15	93	14	44311-MBT-D20	G5	83	5		G13	91	15	45518-MG3-016	F5	67	7
37811-MB1-008	H2	96	31					44312-MBT-D10	G5	83	6		G14	92	15		F6	68	8
37830-MEL-003	E14	62	26					44515-MBT-D50	G5	83	7	45133-MBT-D20	G11	89	2	45520-300-000	G6	84	13
								44620-MBT-610	G5	83	8	45133-MBT-D50	G12	90	2		G8	86	13

# PART NO. INDEX

**K 4**

Part Number	Address	Page	Ref.	Part Number	Address	Page	Ref.	Part Number	Address	Page	Ref.	Part Number	Address	Page	Ref.
45520-MG7-006	F5	67	8	50537-MBT-D20	H16	110	3	51490-MEJ-003	F15	77	18	53214-371-010	F13	75	2
	F6	68	9	50540-MAW-760	H16	110	4		F16	78	23	53219-MBT-D20	F13	75	3
45521-HA2-006	F5	67	9	50603-MBT-610	H14	108	2	51500-MBT-C41	F15	77	19	53220-MW0-000	F13	75	4
	F6	68	10	50612-MBT-610	H14	108	3	51500-MBT-C51	F16	78	24	53240-MBT-D10	F14	76	1
45521-MJ6-006	G6	84	14	50615-MBT-610	H14	108	4	51520-MBT-D21	F15	77	20	53300-MBT-D20	F12	74	22
	G8	86	14	50617-445-840	H14	108	5		F16	78	25				
45525-MAJ-G41	F5	67	10	50619-MM5-000	H14	108	6	57000							
	F6	68	11	50619-MT3-000	H14	108	7	52000							
45530-MAJ-G41	F5	67	11	50625-MBT-610	H14	108	8					57100-MCW-D11	F10	72	5
	F6	68	12	50639-MLO-010	H14	108	9	52101-MBT-610	I1	111	11		G10	88	5
45620-MBG-026	G4	82	19	50642-MBT-610	H14	108	10	52115-MBT-D10	F5	67	12	57401-MBT-D50	F10	72	6
45630-MBG-026	G4	82	20	50644-445-840	H14	108	11		F8	70	14	57406-MBT-C50	G10	88	6
				50661-MT3-000	H14	108	12		F9	71	15	57407-MBT-C50	I16	126	12
46000				50661-MV9-000	H14	108	13	52141-MBT-D20	I1	111	12				
				50711-MT3-010	H14	108	14	52142-MBT-D20	I1	111	13	61000			
46182-MEL-D21	G6	84	15	50712-MT3-010	H14	108	15	52143-MBT-D20	I1	111	14				
	G8	86	15	50718-MT3-000	H14	108	16	52144-MBT-D20	I1	111	15	61103-MBT-D20	J5	131	6
46200-MBT-D22	G11	89	5	50902-MBT-D20	I14	124	11	52170-MBT-D10	I1	111	16	61105-MBT-C50ZB	J11	137	3
	G12	90	4		I16	126	10	52200-MBT-D20	I1	111	17	61106-MBT-C50ZB	J11	137	4
46250-MBT-305	G11	89	6	50903-MBT-C40	I14	124	12	52400-MBT-C41	I3	113	4	61110-MBT-C40ZB	F14	76	2
	G12	90	5		I16	126	11	52400-MBT-C51	I4	114	4	61110-MBT-C50ZA	F14	76	2
46300-MBT-612	F8	70	13	51000				52461-MBT-D20	I3	113	5	61112-727-000	J7	133	4
	F9	71	14						I4	114	5	61120-MBT-D50	F13	75	5
46503-MAL-000	G6	84	16					52463-MAL-G00	I3	113	6	61304-165-013	H4	98	1
	G8	86	16	51400-MBT-C41	F15	77	3		I4	114	6				
46504-MT4-006	G6	84	17	51400-MBT-C51	F16	78	3	52463-MBT-D20	I1	111	18	64000			
	G8	86	17	51401-MBT-C41	F15	77	4	52464-MBT-D20	I3	113	7				
46510-MBT-D20	H13	107	8	51401-MBT-C51	F16	78	4		I4	114	7	64102-MA3-720	J5	131	7
46513-MBB-000	H13	107	9	51402-MBT-D51	F16	78	5	52475-MBT-D20	I3	113	8	64106-MBT-D21	J5	131	8
46515-MN1-670	H13	107	10	51402-MZ1-003	F15	77	5		I4	114	8	64111-MBT-D20	J5	131	9
				51405-KA4-711	F15	77	6	53000				64112-MBT-D20	J5	131	10
50000					F16	78	6					64113-MBT-D20	J5	131	11
				51410-MBT-611	F15	77	7	53100-MBT-D20	F11	73	13	64120-MBT-D21	J5	131	12
50100-MBT-C40	I14	124	5		F16	78	8	53104-MK4-620	F11	73	14	64122-KVO-000	I5	115	7
50100-MBT-C50	I16	126	4	51410-MBT-D51	F16	78	7	53105-MY1-010	F11	73	15	64210-MBT-C40ZA	J5	131	13
50190-MBT-D21	I14	124	6	51412-KA4-711	F15	77	8	53106-KR3-770	F11	73	16	64220-MBT-C40	J7	133	5
	I16	126	5		F16	78	9	53107-MB6-630	F11	73	17	64221-MBT-C40ZA	J7	133	6
50191-MBT-D21	I14	124	7	51414-MAZ-003	F15	77	9	53108-KR3-940	F12	74	18	64222-MBT-C40ZA	J7	133	7
	I16	126	6		F16	78	10	53131-MBT-D20	F12	74	19	64223-MBT-C40ZA	J5	131	14
50192-MBT-D21	I14	124	8	51415-MAZ-003	F15	77	10	53132-MBT-D20	F12	74	20	64225-MBT-C40	J7	133	8
	I16	126	7		F16	78	11	53135-MS8-000	F12	74	21	64228-MBT-C40	J7	133	9
50193-MBT-D21	I14	124	9	51416-MBT-D21	F15	77	11	53140-MBT-D21	F3	65	10	64229-MBT-C40	J7	133	10
	I16	126	8		F16	78	12	53165-ML7-010	F3	65	11	64230-MBT-C40	J7	133	11
50230-MBT-C40	I14	124	10	51420-MBT-D21	F15	77	12	53166-ML7-000	F3	65	12	64238-MEJ-J00	J7	133	12
	I16	126	9		F16	78	13	53167-KB7-000	F3	65	13	64270-MBT-D20ZB	J7	133	13
50290-MZ7-000	I5	115	4	51430-MBT-D51	F16	78	14	53168-MG7-000	F3	65	14	64272-MBT-C40	J7	133	14
50300-MBT-D50	I3	113	1	51432-MS2-003	F16	78	15	53169-KB7-000	F3	65	15	64275-MBT-C40	J7	133	15
	I4	114	1	51432-MV9-003	F15	77	13	53170-MAT-E01	F5	67	13	64276-MBT-C40	J7	133	16
50302-MBT-C40	J7	133	3		F16	78	16		F6	68	13	64277-MBT-C40	J7	133	17
50320-MBT-610	I3	113	2	51437-MAZ-003	F15	77	14	53172-MAN-910	F3	65	16	64278-MBT-C40	J7	133	18
	I4	114	2		F16	78	17	53174-MAN-910	F3	65	17	64280-MBT-D20ZB	J7	133	19
50321-MBT-610	I3	113	3	51440-MBT-D21	F15	77	15	53177-MBT-C40	F3	65	18	64304-GG2-730	I5	115	8
	I4	114	3		F16	78	18	53178-MBT-D20	F3	65	19	64321-MBT-D20ZA	J7	133	20
50324-425-010	J5	131	3	51447-KA4-711	F15	77	16	53180-MBT-D20ZA	F5	67	14	64330-MBT-C40ZA	J8	134	21
50354-428-000	J5	131	4		F16	78	19		F6	68	14	64330-MBT-C40ZB	J8	134	21
50383-GB6-300	J5	131	5	51451-MAJ-G41	F16	78	20					64330-MBT-C40ZC	J8	134	21
50383-HC4-750	I5	115	5	51454-MAY-003	F15	77	17	53185-MAN-911ZA	F3	65	20	64330-MBT-C80ZD	J8	134	21
50384-045-670	I5	115	6		F16	78	21	53192-MY5-730	F3	65	21	64330-MBT-S20ZA	J8	134	21
50530-MBT-D21	H16	110	2	51454-MZ1-003	F16	78	22	53213-MB4-771	F13	75	1	64331-MBT-C40ZA	J11	137	5
												64331-MBT-C40ZB	J11	137	5
												64331-MBT-C40ZC	J11	137	5
												64331-MBT-C80ZA	J11	137	5
												64331-MBT-S20ZA	J11	137	5
												64332-MBT-C40ZA	J11	137	6
												64332-MBT-C40ZB	J11	137	6
												64332-MBT-C40ZC	J11	137	6
												64332-MBT-C80ZA	J11	137	6
												64332-MBT-S20ZA	J11	137	6
												64371-MBT-D20ZA	J8	134	22
												64380-MBT-C40ZA	J8	134	23
												64380-MBT-C40ZB	J8	134	23
												64380-MBT-C40ZC	J8	134	23
												64380-MBT-C80ZD	J8	134	23
												64380-MBT-S20ZA	J8	134	23
												64415-MBT-D20	J8	134	24
												64416-MBT-D20	J8	134	25
												64418-MBT-C40	J8	134	26
												64419-MBT-C40	J8	134	27
												64440-MBT-C40	J8	134	28
												64501-MBT-C40	J5	131	15
												64501-MBT-C50	J5	131	16
												64510-MBT-D50	J5	131	17
												64520-MBT-D50	J5	131	18
												64530-MBT-D50	J5	131	19
												64547-MBT-C40	J5	131	20
												64548-MBT-C40	J5	131	21
												64549-MBT-C40	J6	132	22
												75000			
		</													



# PART NO. INDEX

K 5

Part Number	Address	Page	Ref.	Part Number	Address	Page	Ref.	Part Number	Address	Page	Ref.	Part Number	Address	Page	Ref.
77260-MBT-C40ZC	H5	99	13	87512-MBT-F50	J10	136	6	90010-GHB-670	D9	41	15	90109-MR7-000	F12	74	25
77260-MBT-C40ZD	H5	99	13	87513-MV1-600	J10	136	7	90010-GHB-690	D16	48	6		F13	75	7
77260-MBT-C40ZE	H5	99	13	87513-MV1-630	J10	136	7	90010-GHB-730	D16	48	7	90110-MBT-D21	I14	124	16
77261-MBT-C40	H5	99	14	87525-MZ3-300	J10	136	8	90010-MAY-000	D14	46	7		I16	126	16
77262-MBT-C40	H6	100	31	87525-MZ3-620	J10	136	8	90010-ML0-720	H13	107	11	90111-162-000	J4	130	34
77313-MCS-G00	H4	98	9	87560-MAN-620	J10	136	9	90011-HB9-000	D16	48	8	90111-MM9-000	J6	132	30
				87560-MZ0-611	J10	136	10	90019-MB0-000	E2	50	11		J9	135	35
				87586-KGF-900	J10	136	11	90020-MB0-610	F12	74	23	90112-MAW-620	F4	66	26
				87586-KGF-930	J10	136	11	90020-ZV0-000	F13	75	6	90112-MBT-D50	I3	113	9
80000								90021-MM5-000	E2	50	12		I4	114	9
80101-283-000	J9	135	31					90022-MBT-000	D12	44	21	90112-MT3-000	I1	111	19
80101-MBT-C40	I5	115	9	88000				90022-MY5-600	E11	59	12	90113-GA7-000	I5	115	14
80102-MBT-D20	I5	115	10					90023-MBT-010	D15	47	10	90113-GE4-000	J4	130	35
80103-MBT-D50	I14	124	13	88130-MB6-620	F3	65	22	90026-MM8-000	D9	41	16	90113-MBB-000	H13	107	13
	I16	126	13	88210-MBT-D21	F3	65	23	90031-MBB-000	E4	52	12	90113-MM5-000	H6	100	22
80109-MBT-D50	I13	123	26	88220-MBT-D21	F3	65	24	90035-MM5-000	D2	34	15		J6	132	31
80123-MER-D00	H5	99	15						D4	36	16		J9	135	36
80145-MER-D00	I7	117	18	89000				90037-422-003	E9	57	19	90114-MBT-610	I3	113	10
80146-MBT-C40	I7	117	19					90040-GAS-900	I14	124	15		I4	114	10
				89020-MBT-D20	H4	98	11		I16	126	15	90114-MK5-000	F4	66	27
81000				89101-300-010	J2	128	2	90048-MY5-600	E4	52	13	90114-MN9-006	F5	67	15
				89102-KPR-900	J2	128	3	90052-ZA0-800	I9	119	13		F6	68	15
81300-MBT-C40ZA	H4	98	10	89103-371-000	J2	128	4	90065-KC1-000	H13	107	12	90115-KV3-700	I2	112	20
				89202-MER-D01	J2	128	5	90071-MB0-000	E1	49	6	90115-MBT-D50	I14	124	17
83000				89210-MBT-D20	J2	128	6	90074-MT4-000	H2	96	35		I16	126	17
				89211-KPC-D20	J2	128	7	90081-ZV5-010	E4	52	14	90115-MT3-000	H14	108	18
83505-KGB-610	F10	72	7	89212-KPC-D20	J2	128	8	90082-HA0-000	D9	41	17	90115-MV9-000	H14	108	19
	H2	96	33	89216-MBT-D50	J2	128	9	90083-PL9-000	E4	52	15	90116-375-000	D15	47	13
83510-MBT-C40	H5	99	16	89221-KPR-900	J2	128	10	90084-MN8-010	D15	47	11	90116-383-721	G1	79	28
83510-MBT-C50	H5	99	17	89222-MBT-D20	J2	128	11	90085-KFB-000	J9	135	32	90116-KE8-003	I3	113	11
83551-GE2-000	J6	132	23	89224-KPC-D20	J2	128	12	90087-KT7-000	D15	47	12		I4	114	11
83601-MB0-000	F2	64	7	89226-KPC-D20	J2	128	13	90101-KW6-840	J6	132	27	90116-KV3-701	F15	77	22
	J6	132	24	89227-MBT-D20	J2	128	14	90101-MCE-003	F2	64	8		G1	79	27
83610-MBT-C40	H5	99	18	89235-KPR-900	J2	128	15	90102-758-800	H6	100	19	90117-MBT-D21	I11	121	26
								90102-MAS-000	G15	93	17		I13	123	28
84000				90000				90102-MBT-C40	H4	98	12	90120-KCR-003	J4	130	36
								90103-MBG-000	J9	135	33	90127-KF0-770	F4	66	28
84701-MBT-C40	I5	115	11	90001-961-670	G10	88	7	90104-964-000	J4	130	33		F5	67	16
84706-198-740	J6	132	25	90001-MBB-003	E4	52	9	90105-960-710	J6	132	29	90128-GC4-003	F6	68	16
84707-MBT-C40	I5	115	12	90002-MBB-000	D2	34	11	90105-KZ3-B00	J6	132	28		I3	113	12
84905-333-000	I7	117	20					90105-MB1-000	H7	101	23		I4	114	12
84905-459-670	F10	72	8	90002-MY5-850	D1	33	6	90105-MBB-000	G15	93	18	90128-KBP-900	J6	132	32
	H2	96	34	90003-892-000	D1	33	7	90105-MBT-610	G5	83	16	90128-KW3-000	I3	113	13
				90003-MBT-D20	F4	66	25	90106-KCR-000	H6	100	20		I4	114	13
86000				90003-ZF5-003	I14	124	14	90106-KCZ-000	J9	135	34	90131-883-000	E2	50	13
								90106-KRG-000	H12	106	29	90131-KPB-751	G5	83	18
86150-KPG-901	J6	132	26	90004-GHB-600	D9	41	13	90106-KY2-701	F14	76	3	90131-MY3-781	G15	93	19
				90004-MBB-000	D2	34	12		H6	100	21	90132-MZ2-000	G4	82	21
87000									I5	115	13	90133-MAT-000	G4	82	22
				90005-MN5-000	D12	44	20	90106-MBB-000	G5	83	17	90135-MAJ-G41	G13	91	19
87131-MBT-C40ZA	J11	137	7	90006-GHB-680	D11	43	7	90107-MBG-000	F12	74	24		G14	92	19
87134-MBT-C40ZB	J11	137	8	90006-GHB-690	D10	42	7	90107-MBT-K40	I11	121	25	90137-MCA-000	H4	98	13
87501-MFC-P00	J10	136	2	90006-GHB-710	D10	42	8		I13	123	27	90145-MR8-014	F8	70	15
87505-MBT-D50	J10	136	3	90006-GHB-720	D15	47	8	90107-MT3-003	G2	80	18		F9	71	16
87505-MBT-F50	J10	136	3	90006-GHB-730	D15	47	9		H3	81	18		G6	84	18
87507-KZ1-600	J10	136	4	90006-GHB-760	D11	43	8	90108-MBG-000	H2	96	36		G10	88	8
87507-KZ1-880	J10	136	4	90006-MN5-000	H14	108	17	90108-MK6-670	H16	110	5	90145-MS9-612	F5	67	17
87508-MK6-670	J10	136	5	90007-MBB-003	E4	52	10	90109-MBT-D20	F15	77	21		F6	68	17
87508-MZ1-620	J10	136	5	90008-MBT-000	D9	41	14		G1	79	26		F8	70	16
87512-MBT-D50	J10	136	6	90009-MBB-003	E4	52	11								

4

# PART NO. INDEX

**K 6**

Part Number	Address	Page	Ref.	Part Number	Address	Page	Ref.	Part Number	Address	Page	Ref.	Part Number	Address	Page	Ref.
90463-MR7-000	E10	58	25					91202-MR7-003	I2	112	25	93500-05008-0A	I6	116	6
90464-MAT-000	E10	58	26	90690-GHB-601	I14	124	21	91203-KA4-771	E4	52	22	93500-05016-1G	H9	103	8
90464-MR7-000	E10	58	27	90690-GHB-611	I16	126	21	91204-MG8-003	E4	52	23	93500-05020-0G	F4	66	36
90483-028-000	H12	106	32	90690-GHB-631	G10	88	11	91207-MBB-003	E10	58	35	93600-04012-1G	F5	67	20
90501-425-000	I5	115	15	90690-GHB-641	I14	124	22	91212-422-006	G6	84	22		F6	68	20
90501-GR2-000	J9	135	38		I16	126	22		G8	86	21	93600-05014-0A	H3	97	44
90501-KZ4-J40	I3	113	19		J6	132	36	91252-MC4-013	G5	83	21	93891-04020-08	I11	121	32
	I4	114	19	90690-GHB-651	H2	96	40	91253-442-003	G16	94	27		I13	123	34
	I14	124	19		I14	124	23	91254-KS6-003	I2	112	26	93892-05008-10	E14	62	30
	I16	126	19		I16	126	23	91254-MEJ-003	F15	77	25	93892-05012-10	E14	62	31
90503-283-000	F12	74	29	90690-GHB-661	I14	124	24		G1	79	31	93892-05016-10	E14	62	32
90503-898-000	D16	48	9		I16	126	24	91257-KY4-900	I2	112	27		H8	102	26
90506-MBL-610	F13	75	9	90690-GHB-671	I14	124	25	91261-KZ3-861	I2	112	28	93893-04012-17	F5	67	21
90524-030-000	H13	107	15		I16	126	25	91262-KV3-831	I3	113	22		F6	68	21
	H14	108	21	90690-GHB-681	I15	125	26		I4	114	22		G6	84	23
90525-GC4-700	D16	48	10		J6	132	37	91301-ML0-781	D13	45	28		G8	86	22
90534-011-000	H2	96	38	90690-MCA-003	G5	83	19	91301-P7A-004	E14	62	27	93901-24280	I7	117	22
90535-KB9-000	F12	74	30		G16	94	22	91302-HB3-004	E5	53	24	93901-24380	I7	117	23
90543-MV9-670	D1	33	8	90701-MR7-000	D2	34	16	91302-KE8-003	E2	50	14	93901-24480	I7	117	24
90544-283-000	F15	77	23		D4	36	17	91302-MA6-003	G16	94	28	93901-25120	H6	100	27
	G1	79	29	90701-MV9-670	E4	52	19	91302-MAL-601	E5	53	25	93901-25410	H8	102	27
90545-300-000	F5	67	18	90741-413-000	E8	56	14	91303-377-000	D15	47	15	93901-32320	F4	66	37
	F6	68	18	90753-MG5-670	G16	94	23	91303-PK2-005	H7	101	24	93903-24280	J9	135	41
	F8	70	17	90851-961-000	H2	96	41	91307-KF0-003	D10	42	10	93903-24480	F2	64	9
	F9	71	18	90899-422-610	I15	125	27	91307-ML7-004	D15	47	16	93903-25480	H8	102	28
	F10	72	10		J1	127	26	91309-425-003	E1	49	7		H10	104	9
	G6	84	20	90901-MBT-F20	E4	52	20	91309-PX4-003	D4	36	18	93903-25620	I8	118	25
	G8	86	19					91311-KE8-000	E12	60	13	93903-35280	J9	135	43
	G10	88	10	91000				91313-MB0-003	E2	50	15	93913-241J0	H12	106	33
	G11	89	7					91320-MB0-000	E1	49	8	93913-252J0	H6	100	28
90554-MBT-610	F4	66	31	91001-GG2-003	D16	48	12	91331-PC9-003	E12	60	14	93913-25520	F1	63	9
90557-230-000	H13	107	16	91001-MB6-680	E10	58	31	91351-MBT-C40	H7	101	25	93913-25680	F1	63	10
90601-KJ9-000	D16	48	11	91004-MBT-003	E10	58	32	91356-425-003	D15	47	17				
90602-KGF-900	I7	117	21	91008-374-003	E11	59	15	91356-KA4-711	F15	77	26	94000			
90602-MBB-000	E7	55	13	91009-MAS-003	D13	45	26		G1	79	32				
90603-MN4-000	E10	58	28	91015-KT8-005	F13	75	10	91406-166-000	I5	115	16	94001-06020-0S	H13	107	18
90604-MM5-000	E10	58	29	91016-KT8-005	F13	75	11	91406-MS8-000	H3	97	42	94002-06390-0S	I9	119	15
90605-MM5-000	E10	58	30	91021-MBB-003	E8	56	15	91456-MW3-600	F12	74	32	94002-08000-0S	G7	85	24
90620-KEB-620	J6	132	34	91022-MCF-003	E10	58	33	91501-MBT-C40	H4	98	14		G9	87	23
90620-SB2-003	I9	119	14	91025-MBT-F21	E10	58	34	91502-MBT-610	H4	98	15	94002-08070-0S	F4	66	38
90650-KW3-000	F4	66	32	91026-MV9-671	D13	45	27	91503-MBT-610	H6	100	25	94050-05000	I8	118	26
	I11	121	28	91051-MBT-611	G16	94	24	91504-MBT-610	I5	115	17	94050-05080	I5	115	18
	I13	123	30	91052-MAE-004	G5	83	20	91505-MBT-C40	H6	100	26	94050-06000	F4	66	39
90650-MBT-611	I11	121	29		G16	94	25	91540-SOA-003	I11	121	31		F5	67	22
	I13	123	31	91053-719-005	D16	48	13		I13	123	33		F6	68	22
90651-KV6-003	H2	96	39	91053-MM5-004	G16	94	26	91546-SR3-003	E14	62	28		G7	85	25
90651-MA5-671	F5	67	19	91059-KY2-711	F12	74	31	91657-SPO-000	J6	132	38	94050-06070	F10	72	11
	F6	68	19	91071-KV3-005	I3	113	20					94050-06080	H3	97	45
90651-MBG-006	G6	84	21		I4	114	20	92000					I11	121	33
	G8	86	20	91071-MR7-003	I2	112	22		I13	123	35		I13	123	35
90652-KT1-771	I11	121	30	91072-KT7-003	I3	113	21	92101-05012-0A	F4	66	33	94050-08000	H12	106	34
	I13	123	32		I4	114	21	92501-08010-0A	H14	108	22	94050-12000	I15	125	28
90657-SB0-003	J6	132	35	91072-MR7-003	I2	112	23						J1	127	27
	J9	135	39	91072-MY1-005	I2	112	24	93000				94101-06000	H14	108	23
90677-KAN-961	J4	130	40	91101-KG8-003	F15	77	24					94101-06700	H3	97	46
90683-GR1-003	H6	100	24		G1	79	30	93401-05020-00	E14	62	29	94101-10800	J6	132	39
	J9	135	40	91106-KM1-013	E4	52	21	93401-06016-07	H3	97	43	94102-08000	F4	66	40
90683-KJ2-003	H13	107	17	91201-148-003	D11	43	9	93500-04032-0G	F4	66	34		H14	108	24
90684-GM6-003	I14	124	20	91201-427-003	D16	48	14	93500-04045-0G	F4	66	35	94103-05000	I8	118	27

4

# PART NO. INDEX



Part Number	Address	Page	Ref.	Part Number	Address	Page	Ref.	Part Number	Address	Page	Ref.	Part Number	Address	Page	Ref.
95701-06012-08	E5	53	28	96000											
	H6	100	30												
95701-06014-00	D9	41	19	96001-06008-00	H12	106	38								
	D14	46	8	96001-06008-02	H12	106	39								
	E5	53	29	96001-06010-07	G5	83	22								
	E10	58	37		G16	94	29								
	E11	59	17	96001-06016-00	I2	112	32								
	H4	98	17	96001-06016-07	F10	72	14								
95701-06016-07	F8	70	19		G10	88	14								
	F9	71	20	96001-06018-07	G9	87	27								
	G7	85	28	96001-06022-00	E12	60	15								
	G9	87	25	96001-06022-07	F5	67	24								
	H3	97	54		F7	69	24								
95701-06018-07	D4	36	21	96001-06025-00	J4	130	44								
95701-06020-07	F8	70	20	96001-06028-07	H3	97	55								
	F9	71	21	96001-06040-00	E12	60	16								
95701-06025-00	I5	115	20	96100-62003-00	D11	43	11								
95701-06028-00	E1	49	9	96211-08000	H15	109	27								
	I11	121	35	96220-40080	E11	59	18								
95701-06028-07	G11	89	8	96300-06010-07	J9	135	45								
95701-06030-00	I13	123	37	96300-06014-00	J4	130	45								
95701-06032-00	E2	50	18	96300-06022-07	F2	64	10								
95701-06035-00	E5	53	30	96300-08038-00	H3	97	56								
95701-06040-00	E2	50	19	96300-08045-00	I15	125	29								
95701-06045-00	E5	53	31		J1	127	28								
95701-06045-07	G10	88	12	96400-08032-00	H12	106	40								
95701-06060-00	D2	34	19	96600-06010-00	D15	47	19								
	D4	36	22	96600-08020-10	E11	59	19								
95701-06065-00	E5	53	32	96600-08032-00	F12	74	33								
95701-06080-00	E2	50	20												
95701-08012-07	I11	121	36	98000											
	I13	123	38												
95701-08030-07	H4	98	18	98200-33000	I9	119	16								
95701-08035-00	H12	106	36	98200-41000	I11	121	38								
95701-08040-00	E5	53	33		I13	123	40								
	H12	106	37	98200-42000	I11	121	39								
95701-08050-00	E5	53	34		I13	123	41								
95701-08070-00	E5	53	35	98200-43000	I13	123	42								
95701-08075-00	E5	53	36												
95701-08080-00	E5	53	37												
95701-10045-08	H4	98	19												
95701-10085-00	E5	53	38												
95801-06010-07	J6	132	40												
95801-06020-00	I11	121	37												
	I13	123	39												
95801-06020-07	G10	88	13												
	J6	132	41												
95801-06022-07	F8	70	21												
	F9	71	22												
95801-06025-00	G7	85	29												
	G9	87	26												
95801-06025-07	F8	70	22												
	F9	71	23												
95801-06028-07	F10	72	13												
95801-06030-07	F8	70	23												
	F9	71	24												
95801-06032-07	G11	89	9												
	G12	90	6												
95801-08020-08	I4	114	23												

# PART NAME INDEX

L 1

Part name	Address	Page	Ref.	Part name	Address	Page	Ref.	Part name	Address	Page	Ref.
[ A ]											
ABS CONTROL UNIT .....	I12	122	23	BEARING C, CRANKSHAFT R. SIDE ..	E7	55	12	BOLT, ADAPTER, 10MM .....	F4	66	25
ADJUSTER, CHAIN .....	I1	111	6	BEARING C, FR. CONNECTING ROD ..	E6	54	8	BOLT, BANJO, 12MM .....	H2	96	36
ARM COMP., GEAR CHANGE .....	H13	107	1	BEARING C, RR. CONNECTING ROD ..	E7	55	9	BOLT, BRAKE DISK, 8X24 .....	G15	93	18
ARM, CUSHION .....	I3	113	5	BEARING D, CRANKSHAFT L. SIDE ..	E7	55	11	BOLT, CAP, 8X10 .....	H14	108	22
	I4	114	5	BEARING D, CRANKSHAFT R. SIDE ..	E7	55	12	BOLT, CHAIN ADJUSTING .....	I1	111	5
ARM, FR. POCKET LID .....	J7	133	15	BEARING D, FR. CONNECTING ROD ..	E6	54	8	BOLT, CHANGE PIVOT .....	H13	107	13
ARM, L. MAIN STEP .....	H14	108	10	BEARING D, RR. CONNECTING ROD ..	E7	55	9	BOLT, CONNECTING ROD .....	E6	54	6
ARM, RR. POCKET LID .....	J7	133	16	BEARING E, CRANKSHAFT L. SIDE ..	E7	55	11	BOLT, DISK, 6X17 .....	G5	83	17
ARM, R. MAIN STEP .....	H14	108	3	BEARING E, CRANKSHAFT R. SIDE ..	E7	55	12	BOLT, DRAIN PLUG, 12X15 .....	E2	50	13
AXLE, FR. WHEEL .....	G5	83	4	BEARING E, FR. CONNECTING ROD ..	E6	54	8	BOLT, FLANGE KNOCK, 7X10.5 .....	D9	41	17
AXLE, RR. WHEEL .....	G15	93	4	BEARING E, RR. CONNECTING ROD ..	E7	55	9	BOLT, FLANGE SOCKET, 8X32 .....	G4	82	22
				BEARING, BALL, 16005 .....	E11	59	15	BOLT, FLANGE, 10X45 .....	H4	98	19
				BEARING, HEAD PIPE UNDER .....	F13	75	11	BOLT, FLANGE, 10X55 .....	I3	113	11
				BEARING, HEAD PIPE UPPER .....	F13	75	10		I4	114	11
				BEARING, NEEDLE .....	I2	112	22	BOLT, FLANGE, 10X67 .....	I3	113	12
					I3	113	20		I4	114	12
					I4	114	20	BOLT, FLANGE, 10X85 .....	E5	53	38
				BEARING, NEEDLE, 12X16X10 .....	D16	48	13		I14	124	14
				BEARING, NEEDLE, 12X18X12 .....	D16	48	12		I16	126	14
				BEARING, NEEDLE, 14X20X12 .....	F15	77	24	BOLT, FLANGE, 10X97 .....	D2	34	12
					G1	79	30		D4	36	13
				BEARING, NEEDLE, 14X22X16 .....	E4	52	21	BOLT, FLANGE, 12X30 .....	D12	44	20
				BEARING, NEEDLE, 17X24X20 .....	I3	113	21	BOLT, FLANGE, 12X45 .....	D15	47	10
					I4	114	21	BOLT, FLANGE, 12X72 .....	I3	113	13
				BEARING, NEEDLE, 20X26X20 .....	I2	112	24		I4	114	13
				BEARING, NEEDLE, 22X26X13 .....	E10	58	31	BOLT, FLANGE, 5MM .....	J4	130	37
				BEARING, NEEDLE, 22X38X16 .....	E10	58	33	BOLT, FLANGE, 5X12 .....	D1	33	7
				BEARING, NEEDLE, 22X38X19.3 .....	E10	58	34	BOLT, FLANGE, 5X18 .....	F4	66	26
				BEARING, NEEDLE, 34X44X24 .....	E8	56	15	BOLT, FLANGE, 6MM .....	J4	130	34
				BEARING, NEEDLE, 35X42X23 .....	D13	45	27				35
				BEARING, RADIAL BALL, 16003 .....	D13	45	26	BOLT, FLANGE, 6X10 .....	D9	41	13
				BEARING, RADIAL BALL, 20X37X9 .....	I2	112	23		D10	42	14
				BEARING, RADIAL BALL, 28X62X16 .....	E10	58	32		D16	48	8
				BEARING, RADIAL BALL, 6200 .....	D11	43	11		F13	75	6
				BEARING, RADIAL BALL, 6204UU .....	G5	83	20		G5	83	22
					G16	94	25		G7	85	27
				BEARING, RADIAL BALL, 6304UU .....	G16	94	26		G16	94	29
				BEARING, RADIAL BALL, 6305(UU) .....	G16	94	24		J6	132	40
				BLIND, FASTENER .....	J6	132	33		J9	135	45
				BODY COMP., FRAME .....	I14	124	5	BOLT, FLANGE, 6X12 .....	E5	53	27
					I16	126	4				28
				BODY COMP., IDLE AIR CONTROL					F5	67	23
				VALVE	E13	61	10		F7	69	23
				BODY COMP., POCKET .....	J7	133	8		F8	70	18
				BODY, R. POCKET .....	J7	133	9		F9	71	19
				BOLT-WASHER, 10X105 .....	E4	52	10		F10	72	12
				BOLT-WASHER, 10X115 .....	E4	52	11		F14	76	4
				BOLT-WASHER, 10X80 .....	E4	52	9		H6	100	29
				BOLT-WASHER, 5X20 .....	E14	62	29				30
				BOLT-WASHER, 6X12 .....	E2	50	12	BOLT, FLANGE, 6X14 .....	D9	41	19
				BOLT-WASHER, 6X16 .....	H3	97	43		D14	46	8
					J4	130	36		E5	53	29
				BOLT-WASHER, 6X18 .....	E13	61	23		E10	58	37
				BOLT-WASHER, 6X32 .....	D12	44	21		E11	59	17
				BOLT A, PIN .....	G2	80	11		H4	98	17
					G3	81	11		J4	130	45
					G4	82	11	BOLT, FLANGE, 6X16 .....	F8	70	19
				BOLT, 10X97 .....	I14	124	18		F9	71	20
					I16	126	18		F10	72	14



# PART NAME INDEX

L 2

Part name	Address	Page	Ref.	Part name	Address	Page	Ref.	Part name	Address	Page	Ref.
BOLT, FLANGE, 6X16 .....	G7	85	28	BOLT, FLANGE, 7X45 .....	D4	36	12	BOLT, RR. ENGINE HANGER,			
	G9	87	25	BOLT, FLANGE, 8X12 .....	I11	121	36	15X190	I3	113	10
	G10	88	14		I13	123	38		I4	114	10
	H3	97	54	BOLT, FLANGE, 8X20 .....	H14	108	17	BOLT, SEALING, 18MM .....	E4	52	12
	I2	112	32		I4	114	23				13
BOLT, FLANGE, 6X18 .....	D4	36	21	BOLT, FLANGE, 8X30 .....	H4	98	18	BOLT, SEALING, 22MM .....	E4	52	14
	G9	87	27	BOLT, FLANGE, 8X32 .....	G2	80	18	BOLT, SEALING, 24MM .....	E4	52	15
BOLT, FLANGE, 6X20 .....	F8	70	20		G3	81	18	BOLT, SETTING .....	E1	49	3
	F9	71	21		H12	106	40	BOLT, SIDE STAND PIVOT .....	H16	110	5
	G10	88	13	BOLT, FLANGE, 8X35 .....	H12	106	36	BOLT, SOCKET, 4X21 .....	H2	96	35
	H13	107	11	BOLT, FLANGE, 8X38 .....	H3	97	56	BOLT, SOCKET, 6X10 .....	D15	47	19
	I11	121	37	BOLT, FLANGE, 8X40 .....	E5	53	33	BOLT, SOCKET, 6X38 .....	D15	47	13
	I13	123	39		H12	106	37	BOLT, SOCKET, 8MM .....	D14	46	7
	J6	132	41	BOLT, FLANGE, 8X45 .....	F12	74	25		F15	77	22
BOLT, FLANGE, 6X22 .....	E12	60	15		F13	75	7		G1	79	27
	F2	64	10		G13	91	19	BOLT, SOCKET, 8X16 .....	J6	132	32
	F5	67	24		G14	92	19	BOLT, SOCKET, 8X20 .....	E11	59	19
	F7	69	24		I15	125	29	BOLT, SOCKET, 8X27 .....	G1	79	28
	F8	70	21		J1	127	28	BOLT, SOCKET, 8X32 .....	F12	74	33
	F9	71	22	BOLT, FLANGE, 8X50 .....	E5	53	34	BOLT, SOCKET, 8X45 .....	F15	77	21
	I5	115	14	BOLT, FLANGE, 8X70 .....	E5	53	35		G1	79	26
BOLT, FLANGE, 6X25 .....	D9	41	15	BOLT, FLANGE, 8X75 .....	E5	53	36		G4	82	21
	F8	70	22	BOLT, FLANGE, 8X80 .....	E5	53	37	BOLT, SOCKET, 8X55 .....	H12	106	30
	F9	71	23	BOLT, FR. AXLE .....	G5	83	16	BOLT, SOCKET, R. STEP .....	J6	132	28
	G7	85	29	BOLT, FR. FORK .....	F15	77	17	BOLT, SPECIAL, 10MM .....	E9	57	19
	G9	87	26		F16	78	21	BOLT, SPECIAL, 12X246 .....	I14	124	17
	I5	115	20				22		I16	126	17
	J4	130	44	BOLT, HANDLE LEVER .....	F5	67	15	BOLT, SPECIAL, 12X273 .....	I14	124	16
BOLT, FLANGE, 6X28 .....	D11	43	7		F6	68	15		I16	126	16
	E1	49	9	BOLT, HEAD COVER .....	D1	33	6	BOLT, SPECIAL, 6X16 .....	H16	110	6
	F10	72	13	BOLT, HEX., 10X20 .....	J6	132	29	BOLT, SPECIAL, 6X22 .....	J9	135	32
	G11	89	8	BOLT, HEX., 5X12 .....	F4	66	33	BOLT, SPECIAL, 8MM .....	D9	41	14
	H3	97	55	BOLT, HEX., 6X40 .....	I11	121	26	BOLT, STUD, 12X25 .....	G15	93	17
	I11	121	35		I13	123	28	BOLT, STUD, 8X24 .....	D2	34	15
BOLT, FLANGE, 6X30 .....	F8	70	23	BOLT, LEVER PIVOT .....	F4	66	27		D4	36	16
	F9	71	24	BOLT, MAIN STEP RUBBER SETTING	H14	108	18	BOLT, SWINGARM PIVOT .....	I1	111	11
	I13	123	37				19	BOLT, TIE ROD .....	H13	107	12
BOLT, FLANGE, 6X32 .....	D10	42	7	BOLT, OIL, 10X22 .....	F5	67	17	BOLT, TORX, 5X10 .....	G5	83	18
	D16	48	6		F6	68	17	BOLT, TORX, 5X14 .....	G15	93	19
	E2	50	18		F8	70	16	BOLT, UBS, 7X15 .....	D9	41	16
	G11	89	9		F9	71	17	BOLT, WIRE ADJUSTING .....	F3	65	21
	G12	90	6		F10	72	9	BOOT B .....	G2	80	14
BOLT, FLANGE, 6X35 .....	E5	53	30		G6	84	19		G3	81	14
BOLT, FLANGE, 6X40 .....	D10	42	8		G8	86	18		G4	82	14
	E2	50	19		G10	88	9		G13	91	15
	E12	60	16	BOLT, OIL, 10X34 .....	F8	70	15		G14	92	15
BOLT, FLANGE, 6X45 .....	D15	47	8		F9	71	16	BOOT COMP. ....	F5	67	3
	E5	53	31		G6	84	18		F6	68	4
	G10	88	12		G10	88	8		G6	84	5
BOLT, FLANGE, 6X50 .....	D15	47	9	BOLT, ONE-WAY, 6X18 .....	I11	121	25		G8	86	5
	D16	48	7		I13	123	27	BOOT, PIN BUSH .....	G2	80	13
BOLT, FLANGE, 6X60 .....	D2	34	19	BOLT, ONE-WAY, 8MM .....	F12	74	24		G3	81	13
	D4	36	22	BOLT, PIN .....	G13	91	12		G4	82	13
BOLT, FLANGE, 6X65 .....	D11	43	8		G14	92	12		G13	91	14
	E5	53	32	BOLT, P.T.O. RETURN SPRING,					G14	92	14
BOLT, FLANGE, 6X8 .....	H12	106	38	6MM	H6	100	19	BOSS, OIL FILTER .....	E2	50	11
			39	BOLT, RR. ENGINE HANGER,				BRACE, FR. FORK .....	F14	76	1
BOLT, FLANGE, 6X80 .....	E2	50	20	12X188	I3	113	9	BRACKET COMP., CUSHION .....	I3	113	1
BOLT, FLANGE, 7X45 .....	D2	34	11		I4	114	9		I4	114	1

# PART NAME INDEX

L 3

Part name	Address	Page	Ref.	Part name	Address	Page	Ref.	Part name	Address	Page	Ref.
BRACKET SET, PGM-FI UNIT COVER	I11	121	24	CAP, L. END .....	I14	124	11	CLAMPER, SENSOR CORD .....	G5	83	13
	I13	123	25		I16	126	10				14
BRACKET SUB ASSY., L. FR. ....	G4	82	3	CAP, MASTER CYLINDER .....	F5	67	5		G15	93	16
BRACKET SUB ASSY., RR. ....	G13	91	7		F6	68	6	CLAMPER, SPEED SENSOR CORD ....	G5	83	12
	G14	92	7	CAP, OIL CUP .....	G6	84	9	CLAMP A, WATER HOSE .....	E12	60	4
BRACKET SUB ASSY., R. FR. ....	G2	80	3		G8	86	9	CLAMP, 16.5 .....	E14	62	28
	G3	81	3	CAP, OIL FILLER .....	D10	42	6	CLAMP, HOSE, 22-29MM .....	E12	60	5
BRACKET, L. HANDLE LEVER .....	F3	65	16	CAP, PIVOT .....	H14	108	20	CLAMP, HOSE, 24-32MM .....	J4	130	32
BRACKET, L. STEP .....	H14	108	8	CAP, RESERVE TANK .....	J3	129	15	CLAMP, HOSE, 30-37MM .....	J4	130	31
BRACKET, NUMBER PLATE .....	I5	115	11	CAP, RIM HOLE .....	I14	124	4	CLAMP, MASTER CYLINDER OIL			
BRACKET, R. STEP .....	H14	108	4	CAP, RR. CROSS PIPE .....	I14	124	12	HOSE	G6	84	10
BRIDGE COMP., FORK TOP .....	F12	74	22		I16	126	11		G8	86	10
BULB .....	I6	116	5	CAP, SOCKET BOLT, 8MM .....	F12	74	32	CLAMP, OXYGEN SENSOR .....	H11	105	16
	I7	117	1	CARRIER, RR. ....	H4	98	10	CLAMP, RESERVE TANK CAP .....	J3	129	14
BULB, HEADLIGHT .....	F1	63	8	CARTRIDGE, OIL FILTER .....	E2	50	9	CLAMP, TUBE .....	H3	97	42
BULB, POSITION LIGHT .....	F1	63	6	CASE ASSY., LOWER .....	F2	64	6				49
BULB, TAILLIGHT .....	I7	117	17	CASE ASSY., UPPER .....	F2	64	2	CLIP .....	I7	117	21
BULB, WINKER .....	I7	117	16	CASE COMP., AIR CLEANER .....	H7	101	8	CLIP ASSY., TRIM .....	I14	124	20
BUSH, GUIDE .....	F15	77	9	CASE COMP., L. BOTTOM .....	F15	77	20		I16	126	20
	F16	78	10	CASE COMP., THERMOSTAT .....	F16	78	25	CLIP B, FUEL HOSE .....	H10	104	1
BUSH, SLIDER .....	F15	77	10	CASE, DRIVE CHAIN .....	I1	111	3	CLIP, 4X50 .....	D16	48	11
	F16	78	11	CASE, R. BOTTOM .....	F15	77	12	CLIP, AIR HOSE, 21.5 .....	H7	101	21
[ C ]					F16	78	13	CLIP, BODY COVER .....	H6	100	24
CABLE COMP. A, THROTTLE .....	F3	65	2	CENTER COMP., SHIFT DRUM .....	E11	59	4		J9	135	40
CABLE COMP. B, THROTTLE .....	F3	65	4	CENTER, CLUTCH .....	D12	44	4	CLIP, BREATHER TUBE .....	H1	95	13
CABLE COMP., CLUTCH .....	F3	65	5	CHAIN KIT, DRIVE .....	I1	111	2		H10	104	2
CABLE, BATTERY EARTH .....	I9	119	8	CHAIN SET, DRIVE .....	I1	111	1	CLIP, CABLE, 10MM .....	I14	124	22
CABLE, SEAT LOCK .....	H4	98	3	CHAIN, CAM .....	D9	41	2		I16	126	22
CABLE, STARTER BATTERY .....	I9	119	2	CHAIN, OIL PUMP .....	E2	50	4	CLIP, CABLE, 14MM .....	G5	83	19
CABLE, STARTER MOTOR .....	I9	119	4	CHAIN, WATER PUMP DRIVE .....	D11	43	4		G16	94	22
CALIPER SUB ASSY., L. FR. ....	G4	82	15	CHAMBER COMP., VACUUM .....	H9	103	4	CLIP, CABLE, 15MM .....	H2	96	40
CALIPER SUB ASSY., RR. ....	G13	91	6	CIRCLIP .....	F5	67	19		I14	124	23
	G14	92	6		F6	68	19	CLIP, CABLE, 20MM .....	I16	126	23
CALIPER SUB ASSY., R. FR. ....	G2	80	17		G6	84	15		I14	124	24
	G3	81	17	CIRCLIP, 28MM .....	E10	58	28	CLIP, CABLE, 25MM .....	I16	126	24
CAMSHAFT COMP., FR. EX. ....	D6	38	5	CIRCLIP, 30MM .....	E10	58	29		I14	124	25
CAMSHAFT COMP., FR. IN. ....	D6	38	3	CIRCLIP, EXTERNAL, 10MM .....	I2	112	30	CLIP, CABLE, 30MM .....	I15	125	26
CAMSHAFT COMP., RR. EX. ....	D6	38	6	CIRCLIP, EXTERNAL, 14MM .....	E11	59	16		J6	132	37
CAMSHAFT COMP., RR. IN. ....	D6	38	4	CIRCLIP, EXTERNAL, 15MM .....	H13	107	19	CLIP, CABLE, 8MM .....	G10	88	11
CAP ASSY., NOISE SUPPRESSOR ..	I10	120	5	CIRCLIP, INTERNAL, 37MM .....	I2	112	31	CLIP, HARNESS .....	J3	129	4
	I12	122	5	CIRCLIP, PISTON .....	G6	84	21	CLIP, HARNESS BAND .....	I11	121	31
CAP COMP., FUEL FILLER .....	H2	96	23		G8	86	20		I13	123	33
CAP COMP., RADIATOR .....	J3	129	8	CLAMPER A, BRAKE HOSE .....	F11	73	12		I14	124	21
CAP, 14MM .....	D15	47	11	CLAMPER B, BRAKE HOSE .....	F10	72	4	CLIP, HARNESS BAND, 25MM .....	I16	126	21
CAP, 30MM .....	D15	47	12	CLAMPER C, BRAKE HOSE .....	F6	68	3	CLIP, HARNESS, 9MM .....	J7	133	2
CAP, BLEEDER .....	G2	80	6	CLAMPER D, BRAKE HOSE .....	F9	71	13	CLIP, OIL DRAIN TUBE .....	H1	95	1
	G3	81	6	CLAMPER, A.C. GENERATOR CORD ..	D15	47	7	CLIP, PISTON PIN, 24MM .....	E7	55	13
	G4	82	6	CLAMPER, BRAKE HOSE .....	F5	67	12	CLIP, PULSER CORD .....	E2	50	10
	G13	91	9		F8	70	11	CLIP, SCREEN MOLDING .....	J5	131	7
	G14	92	9				12	CLIP, SPLASH SHIELD .....	J6	132	35
CAP, DIAPHRAGM .....	H9	103	2				14		J9	135	39
CAP, DUMMY .....	I10	120	11				14	CLIP, SUB TANK HOSE .....	H10	104	3
			12				15	CLIP, TUBE .....	D10	42	12
			13				15		E13	61	15
CAP, HANDLE PIPE .....	F12	74	21				86		E14	62	33
CAP, LIFTER PAT .....	D9	41	8	CLAMPER, FR. BRAKE PIPE .....	F8	70	9		H5	99	1
					F9	71	9		J4	130	42

5

# PART NAME INDEX

L 4

Part name	Address	Page	Ref.	Part name	Address	Page	Ref.	Part name	Address	Page	Ref.
CLIP, WIRE .....	I5	115	16	COLLAR, R. FR. WHEEL SIDE .....	G5	83	5	COVER, STARTER MOTOR TERMINAL ..	I9	119	5
CLIP, WIRE HARNESS .....	H13	107	17	COLLAR, R. PIVOT DISTANCE .....	I1	111	15	COVER, THERMOSTAT .....	E12	60	3
CLUTCH, ONE WAY .....	D14	46	5	COLLAR, R. RR. ENGINE HANGER ..	I14	124	8	COVER, THROTTLE CABLE .....	F3	65	3
COCK ASSY., FUEL .....	H1	95	8		I16	126	7	COWL ASSY., SEAT .....	H5	99	13
			11	COLLAR, R. SIDE PIVOT .....	I1	111	13	COWL SET, L. MIDDLE .....	J8	134	23
COIL COMP., FR. IGNITION .....	I10	120	3	COLLAR, SEAT COWL INNER MOUNT ..	H6	100	26	COWL SET, R. MIDDLE .....	J8	134	21
	I12	122	3	COLLAR, SEAT COWL MOUNTING .....	H6	100	25	COWL, L. INNER .....	J7	133	19
COIL COMP., RR. IGNITION .....	I10	120	4	COLLAR, SIDE MOUNTING .....	G10	88	7	COWL, R. INNER .....	J7	133	13
	I12	122	4	COLLAR, SPECIAL .....	E4	52	3	COWL, UPPER .....	J5	131	13
COLLAR .....	I10	120	15	COLLAR, SPEEDOMETER MOUNTING ..	F2	64	4	CRANKCASE SET .....	E4	52	1
	I12	122	16	COLLAR, SPLINE, 28X13.5 .....	E9	57	12	CRANKSHAFT COMP. ....	E7	55	10
COLLAR A, ENGINE MOUNTING .....	I3	113	2	COLLAR, SPLINE, 30X11 .....	E9	57	10	CUP, MASTER CYLINDER OIL .....	G6	84	7
	I4	114	2	COLLAR, SPRING .....	F15	77	5		G8	86	7
COLLAR B, ENGINE MOUNTING .....	I3	113	3		F16	78	5	CUSHION ASSY., RR. ....	I3	113	4
	I4	114	3	COLLAR, TAILLIGHT .....	H2	96	29		I4	114	4
COLLAR B, RR. WHEEL DISTANCE ..	G15	93	10	COLLAR, TAILLIGHT PACKING .....	I7	117	11	CUSHION A, BATTERY .....	I5	115	6
COLLAR, 16X18X10 .....	E2	50	8	COLLAR, TANK MOUNTING .....	H2	96	20	CUSHION, FUEL TANK FR. ....	J7	133	1
COLLAR, 28X13 .....	E9	57	14	COLLAR, WINKER STAY .....	H12	106	27	CYLINDER SUB ASSY., FR. MASTER	F5	67	4
COLLAR, 30X11.2 .....	E9	57	7	CONNECTOR, EARTH .....	E12	60	10		F6	68	5
COLLAR, 6X4 .....	F4	66	28	CONNECTOR, MASTER CYLINDER .....	G6	84	4	CYLINDER SUB ASSY., RR. MASTER	G6	84	6
	F5	67	16		G8	86	4		G8	86	6
	F6	68	16	CONVERTER UNIT, C.D.I. ....	I10	120	1				
COLLAR, 6.2X11 .....	J9	135	38		I12	122	1	[ D ]			
COLLAR, 6.2X12 .....	I5	115	15	CORD COMP., L. ....	I6	116	4				
COLLAR, 6.3X13 .....	J5	131	3	CORD COMP., RR. COMBINATION				DAMPER COMP., FR. ....	F16	78	14
COLLAR, 8MM .....	D9	41	12					DAMPER SET, WHEEL .....	G15	93	1
COLLAR, A.C. GENERATOR COVER ..	D15	47	3	CORD COMP., R. ....	I6	116	2	DAMPER, CONNECTOR .....	H1	95	5
COLLAR, CARRIER MOUNTING FR. ..	H4	98	14	COTTER, VALVE .....	D6	38	13	DIAPHRAGM .....	F5	67	8
COLLAR, CARRIER MOUNTING RR. ..	H4	98	15	COUNTERSHAFT COMP. ....	E9	57	3		F6	68	9
COLLAR, CENTER PIVOT DISTANCE ..	I1	111	12	COVER ASSY., FR. CYLINDER HEAD ..	D1	33	1		G6	84	13
COLLAR, CHAMBER RR. ....	H11	105	5	COVER ASSY., RR. CYLINDER HEAD ..	D1	33	2		G8	86	13
COLLAR, CONNECTING ROD .....	I3	113	7	COVER B, MAGNETIC SWITCH .....	I9	119	7	DIAPHRAGM, CONTROL VALVE .....	H9	103	3
	I4	114	7	COVER B, STARTER MAGNETIC .....	I9	119	3	DIODE ASSY., THREE WAY .....	I10	120	8
COLLAR, COVER MOUNTING .....	F10	72	7	COVER COMP., AIR CLEANER .....	H7	101	10		I12	122	9
	H2	96	33	COVER COMP., L. ....	D16	48	1	DIODE COMP. ....	I10	120	7
COLLAR, CUSHION ARM .....	I1	111	18	COVER COMP., R. ....	D10	42	1		I12	122	8
COLLAR, CUSHION CONNECTING ROD ..	I3	113	6	COVER COMP., WATER PUMP .....	D11	43	3	DISK COMP., L. FR. BRAKE .....	G5	83	15
	I4	114	6	COVER, A.C. GENERATOR .....	D15	47	2	DISK COMP., R. FR. BRAKE .....	G5	83	11
COLLAR, FR. AXLE DISTANCE .....	G5	83	8	COVER, BATTERY TERMINAL .....	I9	119	6	DISK, CLUTCH FRICTION .....	D12	44	5
COLLAR, FUEL TANK MOUNTING .....	H2	96	19	COVER, DUST .....	H13	107	3				
COLLAR, HEADLIGHT .....	F1	63	7	COVER, GRAB RAIL CENTER .....	H4	98	9	DISK, RR. BRAKE .....	G15	93	15
COLLAR, L. CALIPER BRACKET .....	G4	82	18	COVER, HEADLIGHT UNDER .....	J5	131	14	DOWEL PIN, 10X16 .....	D2	34	17
COLLAR, L. FR. ENGINE HANGER .....	I14	124	7	COVER, LOCK NUT .....	F3	65	22		D4	36	19
	I16	126	6	COVER, L. HANDLE LEVER .....	F3	65	18		E4	52	19
COLLAR, L. FR. WHEEL SIDE .....	G5	83	6	COVER, L. LOWER .....	J7	133	11	DOWEL PIN, 12X20 .....	D2	34	18
COLLAR, L. RR. ENGINE HANGER .....	I14	124	9	COVER, L. SIDE .....	H5	99	18		D4	36	20
	I16	126	8	COVER, L. TAIL CAP .....	H11	105	17	DOWEL PIN, 8X14 .....	D10	42	11
COLLAR, L. SIDE PIVOT .....	I1	111	14	COVER, L. UPPER COWL .....	J7	133	7		D11	43	10
COLLAR, MOUNT RUBBER .....	J7	133	3	COVER, L. WINDSCREEN .....	J5	131	11		D15	47	18
COLLAR, MUFFLER MOUNTING .....	H12	106	21	COVER, REED VALVE .....	D1	33	5		D16	48	15
COLLAR, PIVOT .....	F15	77	2	COVER, REGULATOR RECTIFIER .....	I12	122	7		E2	50	17
	F16	78	2	COVER, RR. SIDE INNER .....	I16	126	12	DOWEL PIN, 9X14 .....	D2	34	16
COLLAR, RADIATOR MOUNTING .....	J3	129	11	COVER, RUBBER .....	F1	63	3		D4	36	17
COLLAR, RR. AXLE DISTANCE .....	G15	93	9	COVER, R. LOWER .....	J7	133	5	DRIVER, SCREW .....	J2	128	3
COLLAR, RR. BRAKE SIDE .....	G15	93	6	COVER, R. SIDE .....	H5	99	16	DRUM COMP., GEARSHIFT .....	E11	59	3
COLLAR, RR. WHEEL SIDE .....	G15	93	5					DUCT, AIR CLEANER INTAKE .....	H7	101	13
COLLAR, RR., CENTER COWL .....	J8	134	29	COVER, R. TAIL CAP .....	H11	105	14	DUST SEAL .....	F15	77	25
COLLAR, R. FR. ENGINE HANGER .....	I14	124	6	COVER, R. UPPER COWL .....	J7	133	6		G1	79	31
	I16	126	5	COVER, R. WINDSCREEN .....	J5	131	10	DUST SEAL, 17X24X5 .....	I3	113	22

5

# PART NAME INDEX

L 5

Part name	Address	Page	Ref.	Part name	Address	Page	Ref.	Part name	Address	Page	Ref.
DUST SEAL, 17X24X5 .....	I4	114	22	GASKET, WATER PUMP COVER .....	D11	43	5	HOLDER ASSY., FUSE .....	I9	119	11
DUST SEAL, 20X26X4.5 .....	I2	112	26	GAUGE, FEELER, 0.7MM .....	J2	128	4	HOLDER SET, BRUSH .....	E1	49	4
DUST SEAL, 27X34X4 .....	I2	112	28	GEAR COMP., STARTER REDUCTION .....	D14	46	1	HOLDER, BATTERY .....	I5	115	10
DUST SEAL, 27X37X5 .....	I2	112	27	GEAR COMP., STARTING DRIVEN .....	D14	46	3	HOLDER, HANDLE UNDER .....	F12	74	20
DUST SEAL, 28X37X4 .....	I2	112	25	GEAR, COUNTERSHAFT FIFTH .....	E9	57	15	HOLDER, HANDLE UPPER .....	F12	74	19
DUST SEAL, 30X52X7 .....	G16	94	27	GEAR, COUNTERSHAFT FOURTH .....	E9	57	11	HOLDER, L. LEVER BRACKET .....	F3	65	17
DUST SEAL, BRAKE CAM .....	F15	77	1	GEAR, COUNTERSHAFT LOW .....	E9	57	4	HOLDER, MASTER CYLINDER .....	F5	67	6
	F16	78	1	GEAR, COUNTERSHAFT SECOND .....	E9	57	6		F6	68	7
DUST SEAL, STEERING HEAD .....	F13	75	1	GEAR, COUNTERSHAFT SIXTH .....	E9	57	17	HOLDER, ROD .....	I5	115	17
			2	GEAR, COUNTERSHAFT THIRD .....	E9	57	9	HOOK, SEAT CATCH .....	H4	98	6
				GEAR, MAINSHAFT FIFTH .....	E9	57	13	HORN COMP. ....	I10	120	17
[ E ]				GEAR, MAINSHAFT SECOND .....	E9	57	5		I12	122	18
ELEMENT, AIR CLEANER .....	H7	101	4	GEAR, MAINSHAFT SIXTH .....	E9	57	16	HOSE A, FR. ABS UNIT JOINT .....	F10	72	1
EMBLEM .....	F11	73	7	GEAR, MAINSHAFT THIRD & FOURTH .....	E9	57	8	HOSE B, FR. ABS UNIT JOINT .....	F9	71	7
EMBLEM, KEY .....	F11	73	8	GEAR, PRIMARY DRIVE .....	D12	44	16	HOSE COMP. B, RR. ABS UNIT .....	G10	88	3
EMBLEM, PRODUCT .....	J6	132	26	GENERATOR ASSY., PULSE .....	D14	46	6	HOSE COMP., FR. MASTER			
EXTENSION .....	J2	128	12	GRILLE, R. RADIATOR .....	J3	129	7	CYLINDER JOINT	F6	68	2
				GRIP ASSY., THROTTLE .....	F3	65	10	HOSE COMP., FUEL FEED .....	H1	95	7
				GRIP, L. HANDLE .....	F3	65	12	HOSE COMP., RR. MASTER			
[ F ]				GRIP, R. HANDLE .....	F3	65	11	CYLINDER	G8	86	8
FAN COMP., COOLING .....	J3	129	5	GRIP, SCREW DRIVER .....	J2	128	15		G10	88	2
FENDER B, RR. ....	I5	115	9	GROMMET .....	I10	120	16				4
FENDER SET, FR. ....	F14	76	2		I12	122	17		G11	89	4
FILM, PROTECTOR .....	H1	95	14	GROMMET A, MUFFLER PROTECTOR .....	I5	115	2	HOSE, FR. BRAKE MAIN .....	F5	67	2
FILTER ASSY., SOLENOID VALVE .....	H9	103	5	GROMMET A, SIDE COVER .....	F2	64	7	HOSE, FR. BRAKE UPPER .....	F8	70	1
FILTER SET, OIL .....	E2	50	21		J6	132	24	HOSE, FR. HEAD WATER .....	E12	60	8
	E3	51	21	GROMMET, AIR CLEANER CASE .....	J6	132	23	HOSE, L. FR. BRAKE MAIN .....	F8	70	3
FILTER, SUB AIR CLEANER .....	H7	101	15	GUARD, LOWER HEAT .....	I14	124	1		F9	71	2
FIN, L. RADIATOR .....	J8	134	22		I16	126	1	HOSE, L. RADIATOR LOWER .....	J4	130	28
FIN, R. RADIATOR .....	J7	133	20	GUARD, L. HEAT .....	I14	124	3	HOSE, L. RADIATOR UPPER .....	J3	129	25
FLANGE SUB ASSY., FINAL DRIVEN .....	G15	93	8		I16	126	3	HOSE, MASTER CYLINDER .....	G6	84	8
FLYWHEEL COMP. ....	D15	47	5	GUARD, L. KNUCKLE .....	F3	65	20	HOSE, RR. BRAKE MAIN .....	G6	84	1
FORK ASSY., L. FR. ....	F15	77	19	GUARD, OXYGEN SENSOR .....	H11	105	15	HOSE, RR. HEAD WATER .....	E12	60	9
	F16	78	24	GUARD, R. HEAT .....	I14	124	2	HOSE, RR. RADIATOR UPPER .....	J4	130	26
FORK ASSY., R. FR. ....	F15	77	3		I16	126	2	HOSE, R. FR. BRAKE MAIN .....	F8	70	2
	F16	78	3	GUARD, R. KNUCKLE .....	F5	67	14		F9	71	1
	E11	59	2		F6	68	14	HOSE, R. RADIATOR LOWER .....	J4	130	27
FORK, CENTER GEARSHIFT .....	E11	59	1	GUIDE A, CAM CHAIN .....	D9	41	10				29
FORK, GEARSHIFT .....	E11	59	1	GUIDE A, RR. BRAKE HOSE .....	I1	111	8	HOSE, R. RADIATOR UPPER .....	J3	129	24
FUNNEL, AIR .....	H7	101	11	GUIDE B, CAM CHAIN .....	D9	41	11	HOSE, SECOND MASTER CYLINDER .....	F8	70	5
FUSE, BLADE .....	I9	119	16	GUIDE B, RR. BRAKE HOSE .....	I1	111	9		F9	71	4
FUSE, MINI .....	I11	121	38	GUIDE COMP., FR. BRAKE HOSE .....	F11	73	11	HOSE, WATER BYPASS .....	E12	60	7
			39	GUIDE, CLUTCH OUTER .....	D12	44	3	HOUSING, UNDER THROTTLE .....	F3	65	14
			40	GUIDE, EX. VALVE .....	D2	34	3	HOUSING, UPPER THROTTLE .....	F3	65	13
			41		D4	36	3				
			42	GUIDE, FR. BRAKE HOSE .....	F10	72	3	[ I ]			
[ G ]				GUIDE, IN. VALVE .....	D2	34	2	IMPELLER COMP., WATER PUMP .....	D11	43	1
GASKET B, CYLINDER HEAD COVER .....	D2	34	5		D4	36	2	INJECTOR ASSY., FUEL .....	E13	61	21
	D4	36	5	GUIDE, RR. BRAKE HOSE .....	I1	111	7	INNER, AIR CLEANER DUCT .....	H7	101	14
GASKET, A.C. GENERATOR COVER .....	D15	47	1				10	INSULATOR, THROTTLE BODY .....	D2	34	6
GASKET, CYLINDER HEAD .....	D2	34	4	[ H ]					D4	36	8
	D4	36	4	HARNES, WIRE .....	I10	120	9				
GASKET, EX. PIPE .....	H11	105	2		I12	122	10	[ J ]			
GASKET, HEAD COVER .....	D1	33	3	HEADLIGHT ASSY. ....	F1	63	1	JET, OIL, .....	E4	52	20
GASKET, R. COVER .....	D10	42	5	HEADLIGHT UNIT .....	F1	63	2	JOINT .....	E13	61	13
GASKET, TENSIONER HOLE .....	D9	41	6	HEAD ASSY., FR. CYLINDER .....	D2	34	1		H1	95	3
			7	HEAD ASSY., RR. CYLINDER .....	D4	36	1	JOINT A, VACUUM TUBE .....	E14	62	25



# PART NAME INDEX

L 6

Part name	Address	Page	Ref.	Part name	Address	Page	Ref.	Part name	Address	Page	Ref.
JOINT SET, BRAKE ROD .....	G4	82	20	METER ASSY., COMBINATION .....	F2	64	1	NUT, U, 10MM.....	I3	113	14
JOINT SET, DRIVE CHAIN .....	I1	111	4	METER ASSY., SPEED & TACHO .....	F2	64	3	NUT, U, 14MM.....	I3	113	15
JOINT, 3WAY .....	J4	130	30	MIRROR COMP., L. ....	F3	65	24	NUT, U, 18MM.....	G15	93	20
JOINT, BRAKE ROD .....	G6	84	17	MIRROR COMP., R. ....	F3	65	23		I2	112	21
	G8	86	17	MODULATOR ASSY., ABS .....	F10	72	5				
JOINT, BREATHER THREE WAY .....	H1	95	2		G10	88	5	[ O ]			
JOINT, STRAIGHT .....	E13	61	11	MOLDING, WINDSCREEN .....	J5	131	8	OIL SEAL, 12X20X6.....	D16	48	14
JOINT, THROTTLE BODY .....	H7	101	16	MOTOR ASSY. ....	E13	61	9	OIL SEAL, 12X22X5.....	D11	43	9
JOINT, TUBE .....	H2	96	28	MOTOR ASSY., FAN .....	J3	129	6	OIL SEAL, 14X22X5.....	E4	52	22
JOINT, WATER .....	E12	60	6	MOTOR ASSY., STARTING.....	E1	49	1	OIL SEAL, 28X47.2X7.....	G5	83	21
				MUFFLER COMP., L. ....	H11	105	19	OIL SEAL, 34X62.2X7.....	G16	94	23
[ K ]				MUFFLER COMP., R. ....	H11	105	4	OIL SEAL, 39X72X8.....	E10	58	35
KEY SET .....	F11	73	4					OIL SEAL, 8X25X7.....	E4	52	23
KEY, BLANK .....	F11	73	9	[ N ]				ORIFICE, 1.2MM.....	E4	52	2
				NUT-WASHER, 6MM .....	E1	49	6	O-RING.....	E1	49	8
KEY, SEAT LOCK .....	H4	98	7	NUT, 6X19.....	I11	121	27		E13	61	1
KEY, WOODRUFF, 25X14 .....	E8	56	14		I13	123	29				
				NUT, CLIP, 5MM .....	J4	130	40				
[ L ]				NUT, COWL SETTING, 5MM .....	J6	132	30				
LABEL, ACCESSORIES & LOADING ..	J10	136	6		J9	135	35				
LABEL, CARGO LIMIT .....	J10	136	8	NUT, FIXING .....	F4	66	30				
LABEL, CHAIN ADJUSTER .....	J10	136	5	NUT, FLANGE, 12MM .....	G15	93	21				
LABEL, DRIVE .....	J10	136	10		I3	113	16	O-RING, 13.8X2.5.....	D15	47	15
LABEL, DRIVE CHAIN .....	J10	136	4					O-RING, 14.7X2.2.....	E2	50	15
LABEL, FRENCH TRANSLATION .....	J10	136	9		I4	114	16	O-RING, 14.8X2.4.....	G6	84	22
LABEL, FUEL .....	J10	136	11								
LABEL, LUGGAGE CARRIER CAUTION	J10	136	7		I15	125	28	O-RING, 16X2.1.....	D4	36	18
LABEL, RADIATOR CAP .....	J3	129	9		J1	127	27	O-RING, 17.8X1.9.....	E13	61	17
LABEL, TIRE .....	J10	136	3	NUT, FLANGE, 5MM .....	I5	115	18	O-RING, 18X3.....	D10	42	10
LENS COMP., LICENSE .....	I7	117	12		I8	118	26		E2	50	14
LENS COMP., TAILLIGHT .....	I7	117	15	NUT, FLANGE, 6MM .....	F4	66	39	O-RING, 18.1X3.6.....	E5	53	25
LENS, L. RR. WINKER .....	I7	117	4		F5	67	22	O-RING, 21.2X2.4.....	E12	60	14
LENS, R. RR. WINKER .....	I7	117	2		F6	68	22	O-RING, 24.4X3.1.....	E1	49	7
LEVER ASSY., R. HANDLE .....	F5	67	13		F10	72	11	O-RING, 30MM.....	D15	47	17
	F6	68	13		G7	85	25	O-RING, 35.2X2.4.....	F15	77	26
LEVER COMP., CLUTCH .....	D16	48	4		H3	97	45		G1	79	32
LEVER, FUEL COCK .....	H1	95	12		I11	121	33	O-RING, 47.5X2.....	E12	60	13
LEVER, L. STEERING HANDLE .....	F3	65	19		I13	123	35	O-RING, 53X3.....	H7	101	25
LID COMP., R. POCKET .....	J7	133	14	NUT, FLANGE, 7MM .....	H12	106	31	O-RING, 61X2.....	G16	94	28
LIFTER ASSY., TENSIONER .....	D9	41	5	NUT, FLANGE, 8MM .....	F12	74	28	O-RING, 6X2.....	D15	47	16
					H12	106	34	O-RING, 7.5X1.5.....	E5	53	24
LIFTER, VALVE .....	D6	38	9	NUT, GOVERNOR ARM FIXING .....	H13	107	14		H7	101	24
LIGHT ASSY., RR. COMBINATION ..	I7	117	5	NUT, HEADLIGHT SETTING .....	H4	98	1	OUTER COMP., CLUTCH.....	D12	44	2
LOCK ASSY., POCKET LID .....	J7	133	12	NUT, HEX., 10MM .....	F4	66	29	OUTER, STARTING CLUTCH.....	D14	46	4
					F16	78	20				
[ M ]				NUT, HEX., 6MM .....	H13	107	18	[ P ]			
MAIN HOSE COMP., RR. BRAKE ...	G8	86	2		I9	119	15	PACKING, FUEL RESERVE SENSOR..	H2	96	31
MARK .....	J11	137	7	NUT, HEX., 8MM .....	F4	66	38	PACKING, LENS.....	I7	117	8
MARK, FR. FENDER .....	J11	137	8		G7	85	24				
MARK, HISS .....	J10	136	1		G9	87	23	PACKING, MUFFLER.....	H11	105	18
MARK, L. FR. FENDER .....	J11	137	4	NUT, LOCK, 25MM .....	D12	44	22	PACKING, OIL STRAINER.....	E2	50	6
MARK, RECEIVER .....	F11	73	2	NUT, SERRATE, 5MM .....	J4	130	39	PACKING, RESERVE TANK.....	J3	129	19
MARK, R. FR. FENDER .....	J11	137	3	NUT, SETTING .....	J3	129	2	PAD SET, FR.....	G2	80	4
MAT, NUMBER BRACKET .....	I5	115	12	NUT, SIDE STAND .....	H16	110	7		G3	81	4
MAT, RR. COMBINATION LIGHT .....	I7	117	10	NUT, SPECIAL, 5MM .....	J4	130	38		G4	82	4
MAT, SEAT COWL .....	H5	99	14	NUT, SPRING, 6MM .....	H6	100	23	PAD SET, RR.....	G13	91	2
					J9	135	37		G14	92	2
				NUT, STEERING STEM .....	F12	74	27				

# PART NAME INDEX

L 7

Part name	Address	Page	Ref.	Part name	Address	Page	Ref.	Part name	Address	Page	Ref.
PANEL COMP., METER .....	J5	131	2	PISTON B, 22X35 .....	G13	91	17	PROTECTOR, L. RR. MUFFLER .....	H12	106	23
PANEL, L. SEAT COWL INNER .....	H5	99	9		G14	92	17	PROTECTOR, R. FR. MUFFLER .....	H11	105	8
PANEL, METER .....	J6	132	42	PISTON B, 25X35 .....	G4	82	17	PROTECTOR, R. MUFFLER INNER .....	H11	105	9
PANEL, R. SEAT COWL INNER .....	H5	99	8	PISTON B, 27X35 .....	G2	80	16	PROTECTOR, R. RR. MUFFLER .....	H11	105	7
PAN, OIL .....	E2	50	1		G3	81	16	PULSER ASSY., CAM .....	D4	36	11
PCV SET .....	G11	89	6	PISTON SET, FR. MASTER				PUMP ASSY., FUEL .....	H1	95	4
	G12	90	5		CYLINDER	F5	67	PUMP ASSY., OIL .....	E2	50	2
PEDAL COMP., BRAKE .....	H13	107	8		F6	68	12				
PEDAL COMP., GEAR CHANGE .....	H13	107	2	PISTON SET, RR. MASTER				[ R ]			
PGM-FI UNIT .....	I10	120	23		CYLINDER	G6	84	RADIATOR COMP., L. ....	J3	129	12
	I13	123	24		G8	86	11	RADIATOR COMP., R. ....	J3	129	1
PIECE, CLUTCH JOINT .....	D12	44	12	PISTON SET, SECOND MASTER				RECEIVER UNIT SET .....	F11	73	1
PIECE, CLUTCH LIFTER ROD .....	D12	44	15		CYLINDER	G4	82	RECEIVER, CLUTCH CABLE .....	D15	47	4
PIECE, OIL LOCK .....	F15	77	13	PISTON, 27X27 .....	G13	91	4	RECTIFIER ASSY., REGULATE .....	I10	120	6
	F16	78	15		G14	92	4		I12	122	6
			16	PISTON, FR. ....	E6	54	2	REFLECTOR, REFLEX .....	I5	115	3
PIN B, DOWEL, 8X10 .....	E10	58	36	PISTON, RR. ....	E6	54	3	RELAY COMP., STARTER .....	I10	120	21
PIN B, DOWEL, 8X14 .....	E5	53	26	PIVOT, SHIFT DRUM STOPPER ARM .....	E11	59	12		I12	122	21
PIN COMP., BRAKE ROD .....	G6	84	16	PLATE A, R. RADIATOR .....	J3	129	16	RELAY COMP., WINKER .....	I10	120	19
	G8	86	16	PLATE B, CLUTCH .....	D12	44	8		I12	122	19
PIN C, DOWEL, 4X6.5 .....	E8	56	16	PLATE B, R. RADIATOR .....	J3	129	17	RETAINER .....	H2	96	27
PIN, 10X73 .....	D14	46	2	PLATE, AIR GUIDE .....	F13	75	5	RETAINER, BRACKET .....	G2	80	10
PIN, BOLT .....	G13	91	13	PLATE, BEARING SETTING .....	E9	57	2		G3	81	10
	G14	92	13	PLATE, CLUTCH .....	D12	44	7		G4	82	10
PIN, HANGER .....	G2	80	15	PLATE, CLUTCH PRESSURE .....	D12	44	11		G13	91	5
	G3	81	15	PLATE, DIAPHRAGM .....	F5	67	9		G14	92	5
	G4	82	16		F6	68	10	RETAINER, VALVE SPRING .....	D6	38	11
	G13	91	18		G6	84	14	RING .....	E1	49	5
	G14	92	18		G8	86	14	RING SET, PISTON .....	E6	54	1
PIN, PILLION STEP JOINT .....	H14	108	2	PLATE, DRIVE CHAIN GUIDE .....	D16	48	3	RING, BACK UP .....	F15	77	8
PIN, PISTON .....	E6	54	4	PLATE, DRUM SETTING .....	E11	59	11		F16	78	9
PIN, SHIFT RETURN SPRING .....	E11	59	10	PLATE, IDLE AIR CONTROL VALVE .....	E13	61	14	RING, FR. PULSER .....	G5	83	7
PIN, SPLIT, 1.6X12 .....	H15	109	25	PLATE, JOINT .....	E13	61	16	RING, HANDLE WEIGHT SNAP .....	F12	74	18
PIN, SPLIT, 2.0X12 .....	G7	85	26	PLATE, LID LOCK .....	J7	133	10	RING, OIL SEAL STOPPER .....	F15	77	16
	G9	87	24	PLATE, L. HEAT PROTECTION .....	H5	99	11		F16	78	19
PIN, SPLIT, 2.0X15 .....	H15	109	26	PLATE, L. RADIATOR .....	J3	129	18	RING, PISTON .....	F15	77	14
PIN, SPRING, 3X32 .....	J9	135	44	PLATE, L. SEAT COWL SET .....	H5	99	7		F16	78	17
PIN, STEP BAR .....	H14	108	9	PLATE, PILLION STEP CLICK .....	H14	108	16	RING, PULSER .....	G15	93	7
PIPE A, PCV JOINT .....	G11	89	2	PLATE, REGISTERED NUMBER .....	J10	136	2	RING, SNAP, 72MM .....	E10	58	30
	G12	90	2	PLATE, R. COVER .....	D10	42	2	RING, STOPPER .....	G2	80	9
PIPE B, PCV JOINT .....	G11	89	3	PLATE, R. HEAT PROTECTION .....	H5	99	10		G3	81	9
PIPE COMP., EX. ....	H11	105	1	PLATE, R. SEAT COWL SET .....	H5	99	6		G4	82	9
PIPE COMP., FR. FORK .....	F15	77	7	PLATE, SKID .....	J8	134	28		G13	91	11
	F16	78	7	PLATE, SPINDLE .....	E4	52	4		G14	92	11
			8	PLATE, STEP SETTING .....	H14	108	6	RIVET, BLIND, 2.4X7 .....	I14	124	15
PIPE COMP., FUEL .....	E13	61	24						I16	126	15
PIPE, BRAKE JOINT MAIN .....	F8	70	7	PLIERS, 135 .....	J2	128	6	ROD ASSY., FR. CONNECTING .....	E6	54	5
	F9	71	6	PLUG, CONE TYPE .....	I15	125	27	ROD ASSY., RR. CONNECTING .....	E6	54	7
PIPE, CP .....	F1	63	4		J1	127	26	ROD COMP., PUSH .....	G6	84	12
PIPE, RR. ABS UNIT .....	G12	90	3	PLUG, PIN .....	G13	91	16		G8	86	12
PIPE, RR. EX. ....	H12	106	22		G14	92	16	ROD SUB ASSY., CUSHION			
PIPE, RR. MASTER CYLINDER				PLUG, SPARK .....	D2	34	10	CONNECTING	I3	113	8
	JOINT	G11	89		D4	36	10		I4	114	8
		G12	90	PROTECTOR, HEAT MUDGUARD .....	I14	124	13	ROD, CLUTCH LIFTER .....	D12	44	14
PIPE, SEAT .....	F15	77	15		I16	126	13	ROD, PUSH .....	F5	67	10
	F16	78	18	PROTECTOR, INNER .....	H11	105	10		F6	68	11
PISTON A, 22X27 .....	G2	80	7		H12	106	26	ROLLER, 4X8 .....	E11	59	18
	G3	81	7	PROTECTOR, L. FR. MUFFLER .....	H12	106	24	ROTOR, CAM PULSE .....	D9	41	3
	G4	82	7	PROTECTOR, L. MUFFLER INNER .....	H12	106	25				

# PART NAME INDEX

L 8

Part name	Address	Page	Ref.	Part name	Address	Page	Ref.	Part name	Address	Page	Ref.
ROTOR, PULSE .....	D12	44	19	SCREW-WASHER, 5X12 .....	E14	62	31	SEAL SET, PISTON .....	G2	80	2
RUBBER A, HANDLE WEIGHT .....	F11	73	16	SCREW-WASHER, 5X16 .....	E14	62	32		G3	81	1
RUBBER A, NUMBER BRACKET					H8	102	26				2
CUSHION	F10	72	8	SCREW-WASHER, 5X22 .....	F12	74	23		G4	82	1
	H2	96	34	SCREW-WASHER, 5X8 .....	E14	62	30				2
RUBBER A, R. COVER DAMPER .....	D10	42	4	SCREW, BLEEDER .....	G2	80	5		G13	91	1
RUBBER B, FI UNIT .....	J5	131	17		G3	81	5				3
RUBBER B, HANDLE WEIGHT .....	F11	73	17		G4	82	5		G14	92	1
RUBBER B, R. COVER DAMPER .....	D10	42	3		G13	91	8				3
RUBBER B, SIDE SHELTER .....	I5	115	7	SCREW, FLAT, 4X12 .....	G14	92	8	SEAL, AIR CLEANER .....	H7	101	9
RUBBER B, STOPPER .....	J5	131	4		F5	67	20	SEAL, AIR CONTROL VALVE .....	H7	101	12
RUBBER, ABS UNIT .....	J5	131	19		F6	68	20	SEAL, EX. VALVE STEM .....	D6	38	1
RUBBER, BATTERY .....	J5	131	5	SCREW, FLAT, 5X14 .....	H3	97	44	SEAL, IGNITION SWITCH .....	F11	73	3
RUBBER, BATTERY RR. ....	I5	115	5	SCREW, OVAL, 6X50 .....	F12	74	26	SEAL, MECHANICAL .....	D11	43	2
RUBBER, CHAMBER RR. MOUNTING	H11	105	6	SCREW, PAN, 4X32 .....	F4	66	34	SEAL, POCKET .....	J7	133	17
RUBBER, CUSHION .....	G10	88	1	SCREW, PAN, 4X45 .....	F4	66	35				18
	I7	117	20	SCREW, PAN, 5X12 .....	J4	130	33	SEAL, SEAT COWL .....	H6	100	31
RUBBER, ELECTRIC CONTROL UNIT				SCREW, PAN, 5X16 .....	H9	103	8	SEAL, SUB AIR CLEANER .....	H7	101	7
MOUNT	J5	131	20	SCREW, PAN, 5X19 .....	H6	100	20	SEAL, VALVE STEM .....	D6	38	2
				SCREW, PAN, 5X20 .....	F4	66	36	SEAT COMP., DOUBLE .....	H4	98	4
	J6	132	22		J9	135	33	SEAT, FUEL TANK .....	H2	96	21
RUBBER, GEAR CHANGE PEDAL .....	H13	107	4	SCREW, PAN, 5X8 .....	I2	112	20	SEAT, JUDDER SPRING .....	D12	44	10
RUBBER, HEADLIGHT MOUNTING ...	J5	131	6		I6	116	6	SEAT, SPRING .....	F15	77	6
RUBBER, HEAD PIPE COVER SPONGE	I5	115	8	SCREW, PAN, 6X11 .....	F14	76	3		F16	78	6
RUBBER, L. COVER .....	D16	48	2		H6	100	21	SEAT, VALVE SPRING .....	D6	38	12
RUBBER, MOUNTING .....	D1	33	8		I5	115	13	SENSOR ASSY., AIR TEMP .....	H7	101	22
	H5	99	12	SCREW, PAN, 6X12 .....	H12	106	29	SENSOR ASSY., BANK ANGLE .....	I10	120	13
RUBBER, MUFFLER MOUNTING .....	H11	105	20	SCREW, PAN, 6X14 .....	H6	100	22		I12	122	14
RUBBER, PROTECTOR MOUNTING ...	H11	105	11		J6	132	31	SENSOR ASSY., MAP .....	E14	62	26
RUBBER, PROTECTOR PACKING .....	H11	105	3		J9	135	36	SENSOR ASSY., SPEEDOMETER .....	E4	52	8
RUBBER, RADIATOR MOUNTING .....	J3	129	10	SCREW, PAN, 6X20 .....	I1	111	19	SENSOR ASSY., WATER TEMP .....	E12	60	11
RUBBER, RADIATOR SHROUD .....	J3	129	21	SCREW, SPECIAL, 5X12 .....	H7	101	23	SENSOR, FR. WHEEL SPEED .....	G5	83	1
RUBBER, RR. COWL MOUNTING .....	H5	99	15	SCREW, SPECIAL, 5X28 .....	J6	132	27	SENSOR, FUEL RESERVE .....	H2	96	30
RUBBER, RR. FENDER CUSHION ...	J9	135	31	SCREW, SPECIAL, 6MM .....	H4	98	13	SENSOR, OXYGEN .....	H12	106	28
RUBBER, SEAT CUSHION .....	H4	98	5		J9	135	34	SENSOR, RR. WHEEL SPEED .....	G15	93	2
RUBBER, SEAT SETTING .....	H2	96	32	SCREW, SPECIAL, 8X18 .....	H4	98	12	SEPARATOR COMP. ....	F5	67	7
RUBBER, SHOCK .....	I9	119	12	SCREW, TAPPING, 3X12 .....	F4	66	37		F6	68	8
RUBBER, SIDE TANK MOUNTING ...	H1	95	17	SCREW, TAPPING, 3X16 .....	F12	74	31	SHAFT COMP., MAIN .....	E9	57	1
RUBBER, SPEEDOMETER MOUNTING	F2	64	5	SCREW, TAPPING, 4X10 .....	H12	106	33	SHAFT, GEARSHIFT FORK .....	E11	59	5
RUBBER, STEP .....	H14	108	12		I7	117	22	SHIM, TAPPET .....	D6	38	14
				SCREW, TAPPING, 4X12 .....	I7	117	23		D7	39	14
RUBBER, TAILLIGHT .....	J6	132	25	SCREW, TAPPING, 4X16 .....	F2	64	9		D8	40	14
RUBBER, TAILLIGHT MOUNTING ...	H2	96	41		I7	117	24	SHROUD COMP. ....	J3	129	3
RUBBER, TANK MOUNTING .....	H1	95	16	SCREW, TAPPING, 5X10 .....	H6	100	27	SLIDER, CHAIN .....	I1	111	16
RUBBER, TANK SETTING .....	H1	95	15	SCREW, TAPPING, 5X12 .....	H6	100	28	SLIDER, THROTTLE CABLE .....	F3	65	15
RUBBER, TANK SPACER .....	I5	115	1		H6	100	28	SOCKET COMP. ....	I7	117	13
RUBBER, TENSIONER ARM .....	J7	133	4	SCREW, TAPPING, 5X20 .....	F1	63	9	SOCKET COMP., POSITION LIGHT ..	F1	63	5
					H8	102	27	SPACER, SUB AIR CLEANER .....	F3	65	1
[ s ]					H10	104	9	SPACER, WINDSCREEN .....	J5	131	9
SCREEN SET, FUEL STRAINER .....	H1	95	9	SCREW, TAPPING, 5X25 .....	F1	63	10	SPANNER, 10X14 .....	J2	128	8
SCREW-WASHER .....	H7	101	2	SCREW, TAPPING, 5X30 .....	I8	118	25	SPANNER, 8X12 .....	J2	128	7
SCREW-WASHER, 3X18 .....	F2	64	8	SCREW, TORX .....	E13	61	12	SPINDLE COMP., GEARSHIFT .....	E11	59	8
SCREW-WASHER, 4X12 .....	F5	67	21	SEAL C, DOOR PANEL HOLE .....	J6	132	38	SPONGE ASSY. ....	I7	117	3
	F6	68	21	SEAL RING, INJECTOR .....	E13	61	22	SPRING ASSY., SIDE STAND .....	H16	110	3
	G6	84	23	SEAL SET, FR. FORK .....	F15	77	18				4
	G8	86	22	SEAL SET, PISTON .....	F16	78	23	SPRING SET, BRAKE PEDAL .....	H13	107	9
SCREW-WASHER, 4X20 .....	I11	121	32		G2	80	1	SPRING, CLUTCH .....	D12	44	13
	I13	123	34					SPRING, CLUTCH LEVER .....	D16	48	5
								SPRING, CLUTCH PLATE .....	D12	44	9

# PART NAME INDEX

L 9

Part name	Address	Page	Ref.	Part name	Address	Page	Ref.	Part name	Address	Page	Ref.
SPRING, FR. FORK .....	F15	77	4	STEM SUB ASSY., STEERING .....	F13	75	3	TUBE COMP., 7.3X145 .....	E13	61	18
	F16	78	4	STOPPER COMP., DRUM .....	E11	59	6	TUBE C, AIR VENT .....	H10	104	6
SPRING, FR. REBOUND .....	F15	77	11	STRAINER COMP., OIL .....	E2	50	5	TUBE C, FUEL .....	H2	96	26
	F16	78	12	STRIPE, L. FUEL TANK .....	J11	137	2	TUBE, 12X110 .....	E13	61	20
SPRING, KICK STARTER STOPPER ..	H14	108	1	STRIPE, L. MIDDLE COWL .....	J11	137	6	TUBE, 12X55 .....	E13	61	19
SPRING, LOCK KEY SETTING .....	H4	98	2	STRIPE, R. FUEL TANK .....	J11	137	1	TUBE, 17X45 .....	H8	102	29
	J9	135	30	STRIPE, R. MIDDLE COWL .....	J11	137	5	TUBE, 3.5X100 .....	E14	62	35
SPRING, L. STEP RETURN .....	H14	108	11	SUB CORD, ENGINE .....	E4	52	5	TUBE, 3.5X200 .....	H9	103	10
SPRING, PAD .....	G2	80	8	SUB GEAR, PRIMARY .....	D12	44	17	TUBE, 3.5X30 .....	E14	62	34
	G3	81	8	SUB HARNESS .....	I10	120	10		H9	103	9
	G4	82	8		I12	122	11	TUBE, 4.5X260 .....	H3	97	50
	G13	91	10	SUB HOSE COMP., RR. BRAKE .....	G8	86	3	TUBE, 5.3X490 .....	H3	97	51
	G14	92	10	SUB HOSE, FR. BRAKE .....	F10	72	2	TUBE, 5.3X640 .....	H3	97	52
SPRING, PRIMARY DAMPER .....	D12	44	18	SUB HOSE, L. FR. BRAKE .....	F8	70	6	TUBE, 5.3X720 .....	J4	130	43
SPRING, R. STEP RETURN .....	H14	108	5		F9	71	5	TUBE, 8X920 .....	H3	97	53
SPRING, SHIFT DRUM STOPPER .....	E11	59	7	SUB HOSE, RR. BRAKE .....	G6	84	2	TUBE, BRAKE PEDAL SPRING .....	H13	107	10
SPRING, SHIFT RETURN .....	E11	59	9	SUB HOSE, R. FR. BRAKE .....	F8	70	4	TUBE, DIAPHRAGM CONTROL .....	H9	103	1
SPRING, STOP SWITCH .....	H13	107	7		F9	71	3	TUBE, DRAIN .....	H2	96	22
SPRING, VALVE .....	D6	38	10	SUSPENSION, C.D.I. CONVERTER ..	I10	120	2	TUBE, FR. ....	H10	104	4
SPROCKET, CAM .....	D9	41	1		I12	122	2	TUBE, FR. BREATHER .....	H7	101	18
SPROCKET, DRIVE .....	E9	57	18	SUSPENSION, STARTER RELAY .....	I10	120	22	TUBE, FUEL, 4.5X550 .....	D10	42	13
SPROCKET, FINAL DRIVEN .....	G15	93	3		I12	122	22	TUBE, FUEL, 7.3X260 .....	H3	97	48
SPROCKET, OIL PUMP DRIVE .....	D12	44	1	SUSPENSION, WINKER RELAY .....	I10	120	20	TUBE, OVERFLOW .....	J3	129	20
SPROCKET, OIL PUMP DRIVEN .....	E2	50	3		I12	122	20	TUBE, RR. ....	H10	104	5
SPROCKET, WATER PUMP DRIVEN ..	D11	43	6	SWINGARM SUB ASSY., RR. ....	I1	111	17	TUBE, RR. BREATHER .....	H7	101	19
STATOR COMP. ....	D15	47	6	SWITCH ASSY., CLUTCH .....	F3	65	9				
STAY COMP., CARRIER MOUNTING ..	I14	124	10	SWITCH ASSY., COMBINATION &				[ V ]			
	I16	126	9	LOCK	F11	73	5	VALVE ASSY., BYPASS CONTROL			
STAY COMP., FR. COWL .....	J5	131	15	SWITCH ASSY., FR. STOP .....	F5	67	1	SOLENOID	H9	103	6
					F6	68	1	VALVE ASSY., DELAY .....	F8	70	13
STAY COMP., PUMP CASE .....	H1	95	6	SWITCH ASSY., NEUTRAL .....	E4	52	7		F9	71	14
STAY, ABS UNIT .....	J5	131	18	SWITCH ASSY., OIL PRESSURE .....	E4	52	6	VALVE ASSY., EX. AIR INJECTION	H10	104	8
STAY, AIR INJECTION CONTROL				SWITCH ASSY., RR. STOP .....	H13	107	5	VALVE ASSY., PROPORTIONING .....	G11	89	5
VALVE	H10	104	7	SWITCH ASSY., STARTER KILL .....	F3	65	8		G12	90	4
STAY, BRAKE HOSE .....	G6	84	3	SWITCH ASSY., STARTER MAGNETIC	I9	119	9	VALVE ASSY., RELIEF .....	E2	50	7
STAY, DIAPHRAGM .....	H7	101	6	SWITCH COMP., STARTER MAGNETIC	I9	119	10	VALVE COMP., REED .....	D1	33	4
STAY, FR. BRAKE HOSE CLAMP .....	F8	70	10	SWITCH SET, SIDE STAND .....	H16	110	1	VALVE, AIR CONTROL .....	H7	101	3
STAY, FR. BRAKE HOSE CLAMPER ..	F9	71	12	SWITCH SET, STARTER KILL .....	F3	65	6	VALVE, EX. ....	D6	38	8
STAY, FR. BRAKE PIPE .....	F8	70	8	SWITCH SET, WINKER .....	F3	65	7	VALVE, INTAKE AIR SHOT AIR			
	F9	71	8					CHECK	H9	103	7
STAY, FR. MODULATOR .....	F10	72	6	[ T ]				VALVE, IN. ....	D6	38	7
STAY, L. MIDDLE COWL .....	J8	134	25	TANK SET, FUEL .....	H1	95	18	VALVE, RIM .....	G5	83	3
STAY, L. RADIATOR MOUNTING .....	J3	129	23	TANK, BREATHER .....	H7	101	17		G15	93	14
STAY, L. SEAT COWL LOWER .....	H5	99	5	TANK, RADIATOR RESERVE .....	J3	129	13	VISOR, METER .....	J5	131	1
STAY, L. SEAT COWL UPPER .....	H5	99	3	TENSIONER ASSY., CAM CHAIN .....	D9	41	4				
STAY, L. UNDER COWL .....	J8	134	27	TERMINAL SET, BRUSH .....	E1	49	2	[ W ]			
STAY, PB SENSOR .....	E13	61	3	THERMOSTAT .....	E12	60	1	WASHER .....	F13	75	9
STAY, RR. MODULATOR .....	G10	88	6	THREAD B, STEERING HEAD TOP ..	F13	75	8	WASHER A, HANDLE HOLDER			
STAY, R. MIDDLE COWL .....	J8	134	24	THREAD COMP., STEERING HEAD				SETTING	H13	107	15
STAY, R. RADIATOR MOUNTING .....	J3	129	22		F13	75	4		H14	108	21
STAY, R. SEAT COWL LOWER .....	H5	99	4	THROTTLE BODY ASSY. ....	E13	61	7	WASHER B, THRUST, 22MM .....	E9	57	22
STAY, R. SEAT COWL UPPER .....	H5	99	2					WASHER, 10.2MM .....	E10	58	23
STAY, R. UNDER COWL .....	J8	134	26	TIRE, FR. ....	G5	83	10	WASHER, 12.5X36X6 .....	D12	44	25
STAY, SEAT LOCK CABLE .....	H4	98	8	TIRE, RR. ....	G15	93	13		D15	47	14
STAY, STOP SWITCH .....	H13	107	6	TUBE A, BREATHER .....	H7	101	20	WASHER, 14MM .....	E11	59	14
STAY, TAILLIGHT .....	I7	117	18	TUBE A, FUEL .....	H2	96	24	WASHER, 15.2X25 .....	H13	107	16
				TUBE B, FUEL .....	H2	96	25	WASHER, 25.1X37X5 .....	D12	44	23
STAY, TUBE .....	E13	61	5	TUBE COMP., 3.5X360 .....	E13	61	6				
STAY, WIRE .....	E13	61	4								



# PART NAME INDEX

L10

Part name	Address	Page	Ref.	Part name	Address	Page	Ref.	Part name	Address	Page	Ref.
WASHER, 8MM .....	H12	106	32	WIRE, HELMET SETTING .....	J2	128	1				
WASHER, 8.3MM .....	H2	96	38	WRENCH, BOX .....	J2	128	9				
WASHER, BRAKE ARM .....	D16	48	10	WRENCH, EYE, 10X12 .....	J2	128	14				
WASHER, DRAIN PLUG, 12MM .....	E2	50	16	WRENCH, EYE, 22MM .....	J2	128	13				
WASHER, DRUM STOPPER .....	E11	59	13	WRENCH, EYE, 27 .....	J2	128	5				
WASHER, ENGINE MOUNTING .....	I3	113	18	WRENCH, HEX., 5MM .....	J2	128	10				
	I4	114	18	WRENCH, HEX., 6MM .....	J2	128	11				
WASHER, HANDLE CUSHION .....	F12	74	30								
WASHER, KNUCKLE .....	F4	66	31	[ X ]							
WASHER, LOCK, 28MM .....	E10	58	27	X-RING, 10.5X6.5 .....	D13	45	28				
WASHER, LOCK, 30MM .....	E10	58	26								
WASHER, NEUTRAL .....	E4	52	17								
WASHER, OIL BOLT .....	F5	67	18								
	F6	68	18								
	F8	70	17								
	F9	71	18								
	F10	72	10								
	G6	84	20								
	G8	86	19								
	G10	88	10								
	G11	89	7								
WASHER, PLAIN, 10MM .....	J6	132	39								
WASHER, PLAIN, 12MM .....	I3	113	19								
	I4	114	19								
	I14	124	19								
	I16	126	19								
WASHER, PLAIN, 5MM .....	I2	112	29								
	I8	118	27								
WASHER, PLAIN, 6MM .....	H3	97	46								
			47								
	H14	108	23								
	J4	130	41								
WASHER, PLAIN, 8MM .....	F4	66	40								
	H4	98	16								
	H12	106	35								
	H14	108	24								
WASHER, SEALING, 12MM .....	H2	96	37								
WASHER, SEALING, 6MM .....	D9	41	18								
WASHER, SEALING, 6.5MM .....	E4	52	18								
WASHER, SEALING, 8MM .....	E4	52	16								
WASHER, SPECIAL, 12MM .....	E12	60	12								
WASHER, SPECIAL, 6MM .....	D10	42	9								
WASHER, SPECIAL, 8MM .....	F15	77	23								
	G1	79	29								
WASHER, SPLINE, 28MM .....	E10	58	25								
WASHER, SPLINE, 28X34X1.5 .....	E9	57	21								
WASHER, SPLINE, 30MM .....	E10	58	24								
WASHER, SPLINE, 30X36X1.5 .....	E9	57	20								
WASHER, SPRING, 6MM .....	I9	119	13								
WASHER, STEERING STEM .....	F12	74	29								
WASHER, TANK CUSHION .....	D16	48	9								
WASHER, THRUST, 28.2X56X2 .....	D12	44	24								
WEIGHT B, HANDLE .....	F11	73	14								
WEIGHT, BALANCE .....	G5	83	2								
	G15	93	12								
WEIGHT, STEERING HANDLE .....	F11	73	15								
WHEEL SUB ASSY., FR. ....	G5	83	9								
WHEEL SUB ASSY., RR. ....	G15	93	11								
WINDSCREEN SET .....	J5	131	12								



---

**1**

**FOREWORD INDEX**

---

**2**

**ENGINE GROUP**

---

**3**

**FRAME GROUP**

---

**4**

**PART NUMBER INDEX**

---

**5**

**PART NAME INDEX**

---

**HONDA**  
The Power of Dreams